

# Flood Mini

lighting



IP66

IK09

960°

+40°C  
-20°C



Maximum mechanical and chemical resistance. Luminaire designed to withstand the most extreme outdoor conditions.



Removable aluminium cell high bay light for a single symmetrical or asymmetrical luminaire.

## Applications

Industry, services, residential

## Characteristics

**Power supply** 230VAC ±10% 50 Hz

**Power supply - MTBF at 25°C** 65,000 h

**Luminous flux retention at 25°C**

>50,000h (F70) (L80B20)

>60,000h (F30-F50) (L80B20)

**Colour stability** 3 SDCM

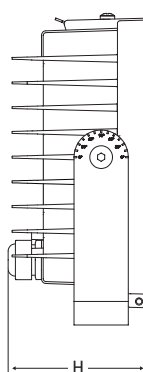
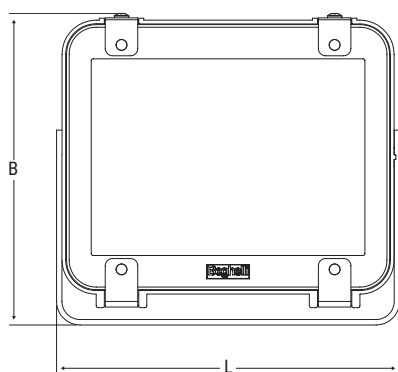
**Mounting** Floor, wall

**Housing** Polyester powder-coated die-cast aluminium, RAL 7040

**Optics** Parabolic blades, made of anti-iridescent polished anodised aluminium. Symmetrical, Asymmetrical

**Screen** Tempered glass prism, 4mm thick

**Compliance** EN 60598-1, EN 60598-2-22, EN 62471 (photobiological risk-free), EN 60598-2-2, 2014/30/EU, 2014/35/EU

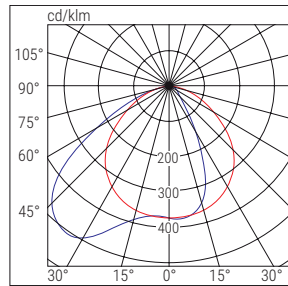


Dimensions mm

L	B	H
190	173	75.5

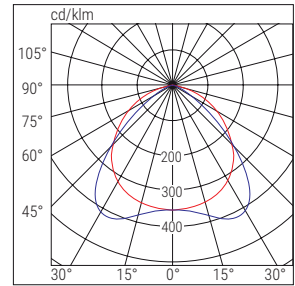
066

## FLOOD MINI ASYMMETRICAL OPTICS



■ C90-C270 ■ C0-C180

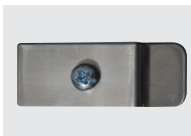
## FLOOD MINI SYMMETRICAL OPTICS



■ C90-C270 ■ C0-C180

	Order Code	Description	Optics	Power W	Colour temp. K	Chromatic yield	LED Flux lm (Tj=25°C)	Luminaire flux lm	Brightness efficiency lm/W	Weight Kg	Packaging Single/Multi pack	
LED	F30LED	PRO LED 1x30W 4K	SYM / ASYM	17	4000	>80	2100	1800	105	1.2	1/8	ON / OFF
	F50LED	PRO LED 1x50W 4K	SYM / ASYM	26	4000	>80	3500	3000	115	1.2	1/8	
	F70LED	PRO LED 1x70W 4K	SYM / ASYM	37	4000	>80	4600	4000	108	1.2	1/8	

## ACCESSORIES - included



VANDAL-PROOF SCREWS



GONIOMETRIC BRACKET



M20 CABLE GLAND WITH VENT VALVE

## ACCESSORIES - to be ordered separately



BUILDING AUTOMATION REMOTE CONTROL RECEIVER

Order Code **20108**

## EMERGENCY LED INVERTERS - to be ordered separately



INVERTER PLUG&LIGHT SE/SA 1-3h 20-60V IP65

Order Code **19368** (3h)

TR



LGFM EMERGENCY MODULE  
For AT/LG series inverters only

Order Code **19375**

LGFM



INVERTER AT/LG AR 9W 55V  
Inverter cover (19376) required for installation

Order Code **19355L** (LiFe battery)

AT LG



INVERTER COVER IP65

Order Code **19376**



INVERTER GL AT/LG AR 15W 55V  
Inverter cover (19376) required for installation

Order Code **19391** (LiFe battery)

Order Code **19390** (LTO battery)

AT LG