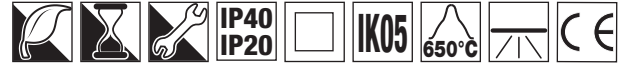


# Downlight LED

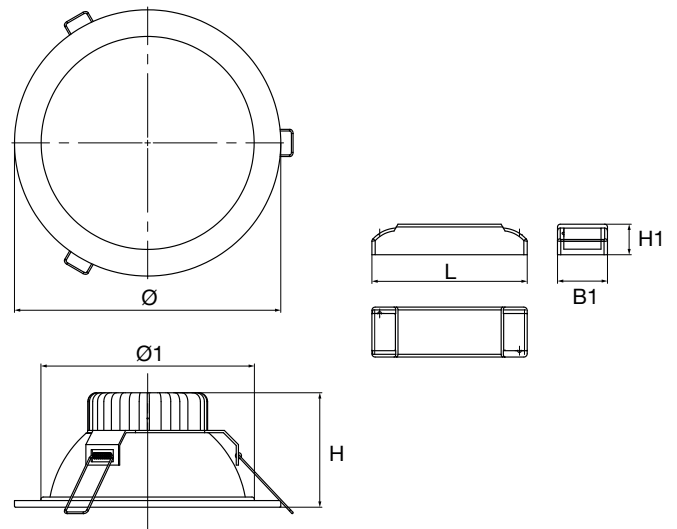


Downlight for recessed installation with LED source. Thanks to the opal diffuser allows an even light distribution without glaring. It is delivered with an independent SELV electronic driver and it is available in two power format, two dimensions and two colour temperatures. An emergency inverter is available to keep the fixture on in case of black out.



## GENERAL SPECIFICATION

<b>Power</b>	15, 25 W
<b>Supply</b>	220/240 VAC - 50/60 Hz
<b>Conformity to</b>	EN60598-1; EN60598-2-2; EN 62471
<b>UGR</b>	<25
<b>Protection degree</b>	IP40 on optical side, IP20 on ballast side
<b>Ambient temp.</b>	-20°C +40°C
<b>Mounting</b>	Recessed
<b>Body</b>	Aluminium, white colour frame
<b>Screen</b>	Opal PC
<b>Power supply</b>	Electronico
<b>Colour temperature</b>	3000K, 4000K
<b>Life</b>	30000 h <sup>φ</sup>



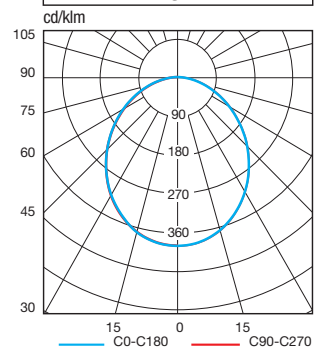
Power W	• Dimension (mm) •					Installation hole	Weight kg
	Ø	Ø1	H	L	B1		
15	188	150	85			152÷170	0,45
25	240	195	100			200÷222	0,70
<b>Power supply driver</b>							
				140	45	28	

ACCESSORIES - to be ordered separately		
Part #	Description	Packaging
19363	INVERTER LED IP65 AT RM 1, 2, 3h	1

**Downlight LED REPLACES  
FLOURESCENT LIGHTING FIXTURES  
2x18W and 2x26W**

**PART NUMBER 71033**

**25W**



## Downlight LED

W	Part #	Description	EAN code	Power W	Colour temp.	Ra	N° LED	Flux medio (lm)	Lighting efficiency (lm/W)	Energy class	Packaging single/multi
15	<b>71030</b>	DWL LED PW 155 15W 3000K	8002219713407	15	3000K	>80	36	1250	83	A+	1/12
15	<b>71031</b>	DWL LED PW 155 15W 4000K	8002219713445	15	4000K	>80	36	1450	97	A+	1/12
25	<b>71032</b>	DWL LED PW 205 25W 3000K	8002219713469	26	3000K	>80	45	1950	75	A+	1/12
25	<b>71033</b>	DWL LED PW 205 25W 4000K	8002219713483	26	4000K	>80	45	2300	89	A+	1/12

