

# BS240 LED

## Industrial LED luminaire

Die-casting aluminium body and 3mm toughened polycarbonate diffuser to grant a high level of strength and durability from impact in installation such as sports halls, or industries or commercial areas. Its bayonet bracket allows a simple and fast installation thus granting stability and durability of the fixing system.

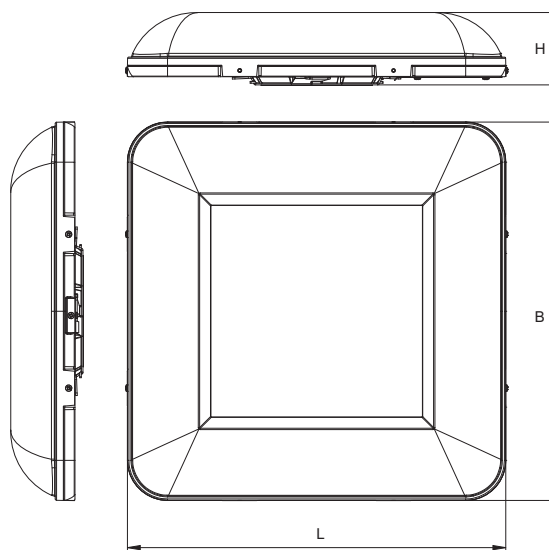
The Parking version provides a wide light beam to illuminate areas where the ceiling is low such as parking areas or basements. This optic is in fact designed to deliver optimal, uniform and efficient illumination allowing to considerably reducing the number of installed luminaires.



### GENERAL CHARACTERISTICS

- Equivalent Power\*** 4x 55 W, 6x 55 W and 2x 55 W (version Parking)
- Power supply** **SD Version** (code 11288PSD):  
93–265 V<sub>AC</sub> 50/60 Hz  
176–250 V<sub>DC</sub>  
**SD Version** (code 11288SD, 11289SD):  
195–265 V<sub>AC</sub> 50/60 Hz  
176–250 V<sub>DC</sub>  
**ED Version:** 230 V<sub>AC</sub> ±10 % 50 Hz
- Standard** EN 60598-1, EN 60598-2-1, EN 60598-2-22 (fundamental requirements), EN 62471 (Photobiological hazard)
- Protection grade** IP66
- Working temp.** **SD Version:** -20 ÷ +50 °C (\*\*\*\*)  
**ED Version:** -20 ÷ +40 °C
- Mounting** ceiling, suspension, busbar trunking
- Housing** Polyester powder coated die-cast aluminium RAL 7040 grey
- Bayonet bracket** Die-cast aluminium
  - Optic** Wide anti-glare aluminium
  - Screen** Polycarbonate 3mm
  - Driver** **SD Version:**  
SELV electronic SD (cos φ ≥ 0.96) with intelligent dimming  
**ED Version:**  
SELV electronic ED (cos φ ≥ 0.95)
- MTFB Control gear\*\*** 80 000 h
  - Luminous flux maintenance\*\*** >70 000 h (L80B20)
  - Colour deviation** 3 SDCM

\* Equivalent power for comparison with fluorescent tube fixtures  
 \*\* At environmental reference temperature of 25 °C  
 \*\*\*\* At highest working temperature thermal protection may reduce the output power.



Power* W	• Dimensions (mm) •			Weight max kg
	L	B	H	
4x 55	443	443	85	5.5
6x 55	443	443	85	5.5
2x 55	443	443	85	5.0

### Building automation to be ordered separately

Order code	Description
<b>20102</b>	BUILDING AUTOMATION CENTRAL UNIT
<b>20124</b>	BUILDING AUTOMATION CENTRAL UNIT WIFI
<b>20104</b>	2 INPUT INTERFACE – RADIO TRANSMITTER
<b>15022</b>	BUILDING AUTOMATION RADIO MODULE
<b>15024</b>	DALI MODULE
<b>15034</b>	1-10V MODULE

#### CEILING BRACKET



**CEILING BRACKET**

supplied

### Accessories

supplied

Order code Description

- CEILING BRACKET
- SUSPENSION KIT (eyebolts)
- 12665** BUSBAR TRUNKING BRACKET

### Accessories

to be ordered separately

Order code Description

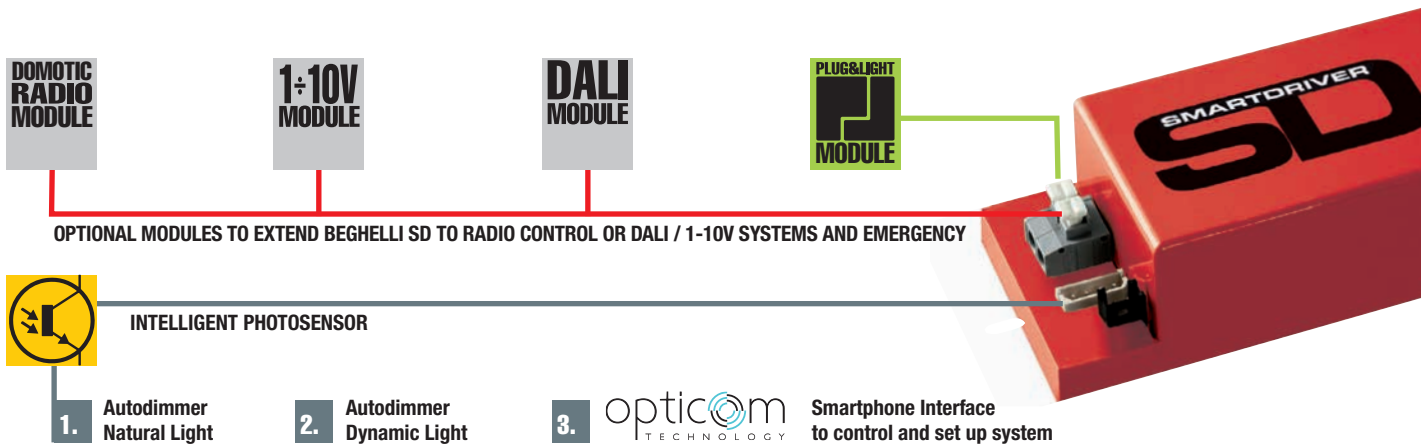
- 12663** SUSPENSION CABLE

### Accessories

supplied

Order code Description

- 15039** OPTICOM PHOTOSENSOR



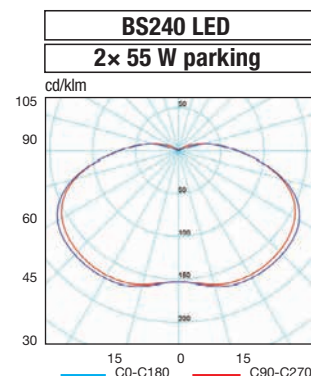
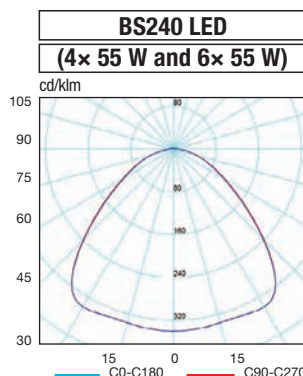
SmartDriver for code 11288PSD



SmartDriver for code 11288SD and 11289SD

EMERGENCY WITH LED INVERTER		TR	AT	LG	LGFM
	19358	INVERTER PLUG&LIGHT LED SE/SA 1H 20-60V	to be ordered separately		
	19359	INVERTER PLUG&LIGHT LED SE/SA 3H 20-60V	to be ordered separately		
	19355	INVERTER LED AT/LG 6W 55V 123H	to be ordered separately		
	19372	INVERTER LED AT/LG 8W 55V 123H	to be ordered separately		
	19390	INVERTER EXT AT/LG 15W 55V 0,75-1-2-3-8H LTO	to be ordered separately		
	19391	INVERTER EXT AT/LG 15W 55V 0,75-1-2-3-8H LiFe	to be ordered separately		

LG Inverters can be transformed in LGFM with the accessory code 19375



### Efficiency and dimming

The increase in luminous efficacy (lm/W) and the useful life of the device may vary significantly according to the degree to which it is dimmed. Assuming an average level of 50% of the luminous flux, the following results are obtained with the BS240 LED:

- Dimming **SD** 50 %
- Device duration +40 %
- Luminous efficiency +10 %

SPECIAL VARIANTS: COLOUR TEMPERATURE ON REQUEST, COLOUR RENDERING  $\geq 90$   
Contact the Beghelli sales network

## BS240 LED

SmartDriver **SD**

Power* W	Order code	Description	LED Power W	Colour Temp. K	Colour rendering	Power consumption max W	N°LEDs	Flux of LEDs lm (T <sub>J</sub> =25°C)	Flux of fixture lm	lm/W	Energy Class	Packaging
4x 55	11288SD	BS240 LED 455 SD 4000K	90	4 000	>80	100	240	15 500	13 300	133	A++	1
6x 55	11289SD	BS240 LED 655 SD 4000K	135	4 000	>80	150	360	23 300	20 000	133	A++	1
2x 55	11288PSD	BS240 LED 255 PARK SD 4000K	45	4 000	>80	50	192	7 800	6 650	133	A++	1

## BS240 LED

Eco Driver **ED**

Power* W	Order code	Description	LED Power W	Colour Temp. K	Colour rendering	Power consumption max W	N°LEDs	Flux of LEDs lm (T <sub>J</sub> =25°C)	Flux of fixture lm	lm/W	Energy Class	Packaging
4x 55	11288ED	BS240 LED 455 ED 4000K	90	4 000	>80	100	240	15 500	13 300	133	A++	1
6x 55	11289ED	BS240 LED 655 ED 4000K	135	4 000	>80	150	360	23 300	20 000	133	A++	1
2x 55	11288PED	BS240 LED 255 PARK ED 4000K	45	4 000	>80	36	192	7 800	6 650	133	A++	1