

Floodlight FL LED



FL LED 100W NERO IP66 4K

Beghelli Code: **86174**



Description: Lighting
EAN: 8002219877604

ELECTRICAL AND LIGHTING TECHNICAL CHARACTERISTIC

SUPPLY VOLTAGE TYPE: AC
NOMINAL VOLTAGE AC: 230 V
VOLTAGE SUPPLY RANGE AC: 207 V+253 V
FREQUENCY SUPPLY RANGE: 50 Hz+60 Hz
ABSORBED POWER: 100 W
FLUX: 10000 lm
EFFICIENCY: 100 lm/W
Ta: -10 °C+45 °C
INSULATION CLASS: I
CRI: >80
CCT: 4000 K
LUMINOUS FLUX MAINTENANCE L70/B50: 30000 h
DRIVER TYPE: For constant current LED
PHOTOBIOLOGICAL RISK: RG0

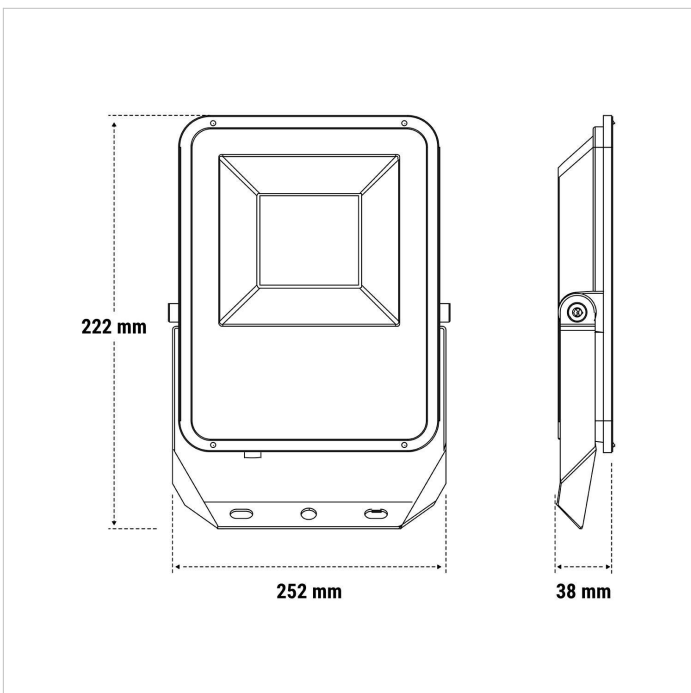
MOUNTING AND APPLICATIONS

ENVIRONMENT: Outdoor

MECHANICAL CHARACTERISTICS

Dimension: Height: 38 mm **Length:** 252 mm **Width:** 252 mm
PRODUCT WEIGHT: 1315 g
BODY MATERIAL: Die-cast aluminium **COLOUR:** Black
REFLECTOR MATERIAL: Polycarbonate
PROTECTION DEGREE: IP66
MECHANICAL IMPACTS PROTECTION DEGREE: IK07
GLOW WIRE: 960° - 30s.
QUANTITY PER BOX SINGLE/MULTIPLE/DELIVERY: 1/10/

CERTIFICATES AND STANDARDS



Floodlight FL LED



FL LED 100W NERO IP66 4K

Beghelli Code: **86174**

