



## F30 / F50 / F70 LED

**Combined general and safety luminaire with high type of protection and high impact resistance.** Spotlight luminaire in housing made of die-cast aluminium with pane made of tempered glass, microprismatic and high high-specular reflector made of aluminium. Pane coupled with the housing through hinge and closures made of stainless steel. Swivelable holder (+/- 180°). Light distribution symmetrical wide-beam or asymmetrical narrow-beam, alterable.

Versions for surface wall, ceiling and floor mounting

Also deliverable as luminaire for general lighting

### MOUNTING TYPES



### TECHNICAL DATA

<b>Housing:</b>	Diecast aluminium, grey (RAL 7040)	<b>Color stability:</b>	3 SDCM
<b>Pane:</b>	Tempered glass, microprismatic	<b>Color temperature:</b>	4.000 K
<b>Reflector:</b>	Aluminium, high-specular	<b>Color rendering index:</b>	80
<b>Service life L<sub>80</sub>B<sub>50</sub>:</b>	50.000 h		



### SELF-CONTAINED SUPPLY

<b>Mains supply:</b>	198 V – 254 V/50 Hz
<b>Switching:</b>	Maintained and non-maintained
<b>Ambient temperature:</b>	-20 °C to +45 °C (luminaire) 0 °C to +40 °C (equipment housing)
<b>Protection class:</b>	I

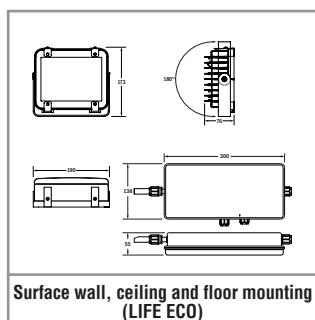
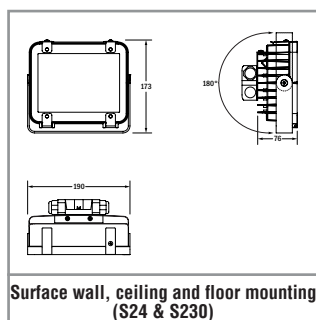
### DECENTRAL SUPPLY


<b>Mains supply:</b>	24 V +/- 20 % DC
<b>Battery supply:</b>	24 V +/- 20 % DC
<b>Ambient temperature:</b>	-20 °C to +40 °C
<b>Protection class:</b>	III with connection only to low voltage, I with additional connection to voltages above low voltage

### CENTRAL SUPPLY

<b>Mains supply:</b>	198 V – 254 V/50 Hz
<b>Battery supply:</b>	176 V – 276 V
<b>Ambient temperature:</b>	-20 °C to +40 °C
<b>Protection class:</b>	I

Variant	Order code	Type	
LIFE ECO / Sicuro24 / Sicuro230 – with symmetric or asymmetric adjusted reflector	37219 / 37220 / 32071 / 31100	F30	1.800 lm
	37221 / 37222 / 32072 / 31101	F50	3.000 lm
	37223 / 37224 / 32073 / 31102	F70	4.000 lm



Autotest Order code	Logica Order code	Logica FM Order code	LED	Φ= 1 h	Φ= 3 h	Φ= 8 h		S~
Surface wall, ceiling or floor mounting <sup>1</sup>								
37219	37219	37220	33	1.050 lm	350 lm	130 lm	LIFE 12.8 V / 1.5 Ah	21 VA
37221	37221	37222	66	1.150 lm	380 lm	140 lm	LIFE 12.8 V / 1.5 Ah	31 VA
37223	37223	37224	99	1.080 lm	360 lm	135 lm	LIFE 12.8 V / 1.5 Ah	44 VA

**SICURO** LED DECENTRAL SUPPLY

Sicuro24 Order code	LED	Φ=	P=
Surface wall, ceiling or floor mounting <sup>2</sup>			
32071	33	635 lm / 1.270 lm	8 W / 16 W
32072	66	690 lm / 1.380 lm	8 W / 16 W
32073	99	650 lm / 1.290 lm	8 W / 16 W

**SICURO** LED CENTRAL SUPPLY

Sicuro230 Order code	LED	Φ=	S~	P=
Surface wall, ceiling or floor mounting <sup>3</sup>				
31100	33	1.800 lm	20.5 VA / 17 W	
31101	66	3.000 lm	30.5 VA / 26 W	
31102	99	4.000 lm	43 VA / 37 W	

<sup>1</sup> With LIFE ECO inverter module 19391 and LED driver, for maintained mode and non-maintained mode.

<sup>2</sup> With S24 inverter module G31446 and LED driver, light flux / power programmable over S24 station.

<sup>3</sup> With S230 module 17382 and LED driver.

