



PLURALUCE

Housing in flat design made of sheet steel and cover made of polycarbonate. High-power LED with light guidance through special lenses for asymmetrical shining light distribution (illumination of escape routes with 1 lx), symmetrical shining light distribution (illumination of areas with 0.5 lx) and 1-sided asymmetrical shining light distribution (illumination of safety devices with 5 lx). Square covers for recessed ceiling mounting separately orderable as accessories.

Versions for surface wall and ceiling mounting, recessed wall (only S24 with device socket) and ceiling mounting and with additional accessories for bracket and chain/wire (only surface ceiling mounting), version S24 with device socket also for recessed mounting on fire protection walls / fire protection ceilings, covers deliverable in other colors on request

MOUNTING TYPES



MOUNTING TYPES WITH ACCESSORIES



TECHNICAL DATA

Housing:	Sheet steel, white (RAL 9010)
Cover:	Polycarbonate, white (RAL 9010)
Lens:	PMMA, transparent
Type of protection:	IP41 (surface ceiling mounting) IP42 (recessed ceiling mounting, cover) IP20 (recessed ceiling mounting, backside & equipment housing)

Service life $L_{80}B_{20}$:	50.000 h
Color stability:	3 SDCM
Color temperature:	4.000 K
Color rendering index:	70
Optic interface:	LIFE, LIFE ECO



Commissioning: For Autotest, operating duration, operating mode PS, monitoring group and test duration are only programmable per app B.connect over smartphone locally on luminaire.

SELF-CONTAINED SUPPLY

Mains supply:	198 V – 254 V/50 Hz
Switching:	Maintained and non-maintained
Ambient temperature:	0 °C to +40 °C
Protection class:	I

DECENTRAL SUPPLY

Mains supply:	24 V +/- 20 % DC
Battery supply:	24 V +/- 20 % DC
Ambient temperature:	-20 °C to +40 °C
Protection class:	III

CENTRAL SUPPLY

Mains supply:	198 V – 254 V/50 Hz
Battery supply:	176 V – 276 V
Ambient temperature:	-20 °C to +40 °C
Protection class:	I
Mains supply (alt.):	90 V – 254 V / 50/60 Hz
Battery supply (alt.):	90 V – 276 V

Variant	Area 3.5 m	Area 7 m	Escape route
LIFE / LIFE ECO	271 lm	271 lm	248 lm
Sicuro24 / Sicuro230	361 lm	361 lm	330 lm

LIFE SELF-CONTAINED SUPPLY

10 YEARS GUARANTEE

Autotest / CableCom Order code	Logica Order code	Logica FM Order code	LED	Φ= 1 h	Φ= 3 h	Φ= 8 h		S~
Surface wall and ceiling mounting, square cover, for area illumination with 2 changeable lenses ¹								
37075	37077	37079	1	361 / 361 lm (3.5 m / 7 m)	207 / 207 lm (3.5 m / 7 m)	72 / 72 lm (3.5 m / 7 m)	LIFE 6.4 V / 1.5 Ah	8 VA
Surface wall and ceiling mounting, square cover, for escape route illumination ¹								
37076	37078	37080	1	330 lm	190 lm	66 lm	LIFE 6.4 V / 1.5 Ah	8 VA
Recessed ceiling mounting, round cover, for area illumination with 2 changeable lenses								
37081	37083	37085	1	361 / 361 lm (3.5 m / 7 m)	207 / 207 lm (3.5 m / 7 m)	72 / 72 lm (3.5 m / 7 m)	LIFE 6.4 V / 1.5 Ah	8 VA
Recessed ceiling mounting, round cover, for escape route illumination								
37082	37084	37086	1	330 lm	190 lm	66 lm	LIFE 6.4 V / 1.5 Ah	8 VA

LIFE ECO SELF-CONTAINED SUPPLY

5 YEARS GUARANTEE

Autotest / CableCom Order code	Logica Order code	Logica FM Order code	LED	Φ= 1 h	Φ= 3 h	Φ= 8 h		S~
Surface wall and ceiling mounting, square cover, for area illumination with 2 changeable lenses ¹								
16732	16734	16736	1	361 / 361 lm (3.5 m / 7 m)	207 / 207 lm (3.5 m / 7 m)	72 / 72 lm (3.5 m / 7 m)	LIFE 6.4 V / 1.5 Ah	8 VA
Surface wall and ceiling mounting, square cover, for escape route illumination ¹								
16733	16735	16737	1	330 lm	190 lm	66 lm	LIFE 6.4 V / 1.5 Ah	8 VA
Recessed ceiling mounting, round cover, for area illumination with 2 changeable lenses								
16748	16750	16752	1	361 / 361 lm (3.5 m / 7 m)	207 / 207 lm (3.5 m / 7 m)	72 / 72 lm (3.5 m / 7 m)	LIFE 6.4 V / 1.5 Ah	8 VA
Recessed ceiling mounting, round cover, for escape route illumination								
16749	16751	16753	1	330 lm	190 lm	66 lm	LIFE 6.4 V / 1.5 Ah	8 VA

SICURO[®] DECENTRAL SUPPLY

Sicuro24 Order code	LED	Φ=	P=
Surface wall and ceiling mounting, square cover, for area illumination with 2 changeable lenses ¹			
32036	1	361 / 361 lm (3.5 m / 7 m)	3.8 W
Surface wall and ceiling mounting, square cover, for escape route illumination ¹			
32037	1	330 lm	3.8 W
Recessed ceiling mounting without device socket, round cover, for area illumination with 2 changeable lenses			
32038	1	361 / 361 lm (3.5 m / 7 m)	3.8 W
Recessed wall and ceiling mounting with device socket, round cover, for area illumination with 2 changeable lenses ^{2,3}			
32040	1	361 / 361 lm (3.5 m / 7 m)	3.8 W
Recessed ceiling mounting without device socket, round cover, for escape route illumination			
32039	1	330 lm	3.8 W
Recessed wall and ceiling mounting with device socket, round cover, for escape route illumination ^{2,3}			
32041	1	330 lm	3.8 W

¹ Please order additional required accessories for bracket and chain/wire separately.

² The required single device sockets, f. i. manufacturer KAISER, for recessed wall and ceiling mounting with device socket on walls / ceilings are not included in the scope of delivery. Please provide on site.

Single device socket, for massive wall, depth 46 mm, installation opening 60 mm, color(s) black
Manufacturer: KAISER
Manufacturer order code: 1056-04

Single device socket, for massive wall, depth 66 mm, installation opening 60 mm, color(s) black
Manufacturer: KAISER
Manufacturer order code: 1556-04

Single device socket, for massive ceiling (concrete), depth 41 mm, installation opening 60 mm, color(s) green/yellow
Manufacturer: KAISER
Manufacturer order code: 1255-43

Single device socket, for hollow wall and hollow ceiling, depth 49 mm, mill hole 68 mm, color(s) orange
Manufacturer: KAISER
Manufacturer order code: 9063-02

Single device socket, for hollow wall and hollow ceiling, depth 62 mm, mill hole 68 mm, color(s) orange
Manufacturer: KAISER
Manufacturer order code: 9064-02

³ The required single device sockets with building inspectorate approval of the DIBt, f. i. manufacturer KAISER, for recessed wall and ceiling mounting with device socket on fire protection walls / fire protection ceilings are not included in the scope of delivery. Please provide on site.

Single device socket, EI30-EI120, for massive wall, depth 60 mm, installation opening 60 mm, color(s) black/white
Manufacturer: KAISER
Manufacturer order code: 1564-01

Single device socket, EI30-EI120 and F30-B/F60-B, for hollow wall, depth 44 mm, mill hole 74 mm, color(s) black/white
Manufacturer: KAISER
Manufacturer order code: 9463-01

Single device socket, EI30-EI120 and F30-B/F60-B, for hollow wall, depth 54.5 mm, mill hole 74 mm, color(s) black/white
Manufacturer: KAISER
Manufacturer order code: 9464-01

Single device socket, EI30-EI90, for hollow wall, depth 62 mm, mill hole 68 mm, color(s) black/red
Manufacturer: KAISER
Manufacturer order code: 9464-02

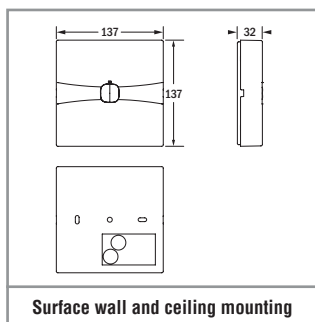
Single device socket, EI30-EI90, for hollow wall, depth 49 mm, mill hole 68 mm, color(s) black/red
Manufacturer: KAISER
Manufacturer order code: 9463-02

Single device socket, F30-F90, for hollow ceiling, depth 44 mm, mill hole 74 mm, color(s) black
Manufacturer: KAISER
Manufacturer order code: 9463-50

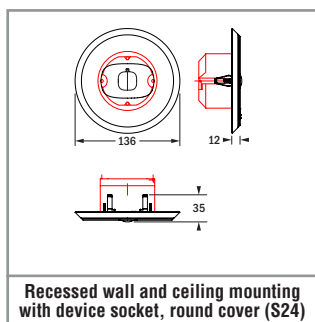
Single device socket, F30-F90, for hollow ceiling, depth 54.5 mm, mill hole 74 mm, color(s) black
Manufacturer: KAISER
Manufacturer order code: 9464-50

SICURO[®] CENTRAL SUPPLY

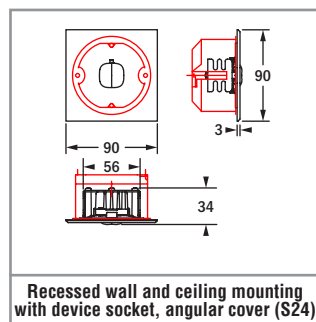
Sicuro230 Order code	LED	Φ=	S~	P=
Surface wall and ceiling mounting, square cover, for area illumination with 2 changeable lenses ¹				
31036	1	361 / 361 lm (3.5 m / 7 m)		8.3 VA / 4.1 W
Surface wall and ceiling mounting, square cover, for escape route illumination ¹				
31037	1	330 lm		8.3 VA / 4.1 W
Recessed ceiling mounting, round cover, for area illumination with 2 changeable lenses				
31038	1	361 / 361 lm (3.5 m / 7 m)		8.3 VA / 4.1 W
Recessed ceiling mounting, round cover, for escape route illumination				
31039	1	330 lm		8.3 VA / 4.1 W



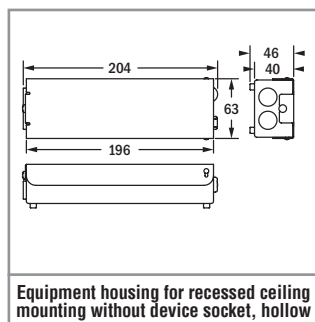
Surface wall and ceiling mounting



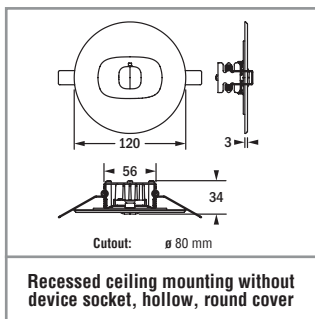
Recessed wall and ceiling mounting with device socket, round cover (S24)



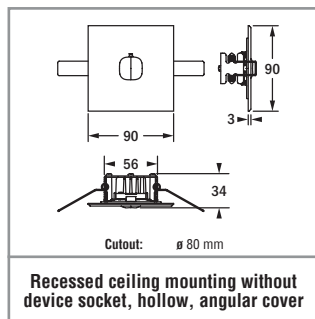
Recessed wall and ceiling mounting with device socket, angular cover (S24)



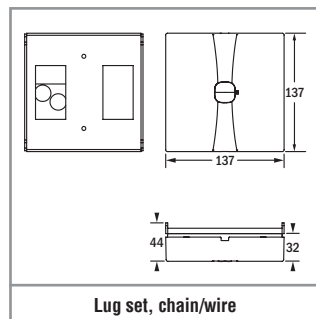
Equipment housing for recessed ceiling mounting without device socket, hollow



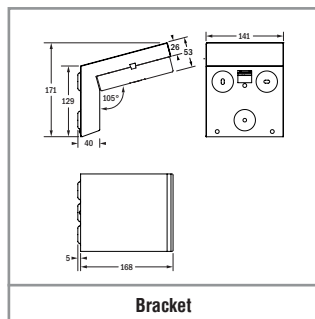
Recessed ceiling mounting without device socket, hollow, round cover



Recessed ceiling mounting without device socket, hollow, angular cover



Lug set, chain/wire



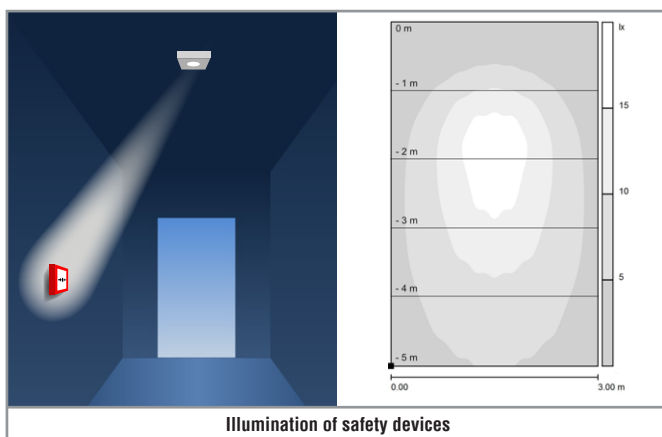
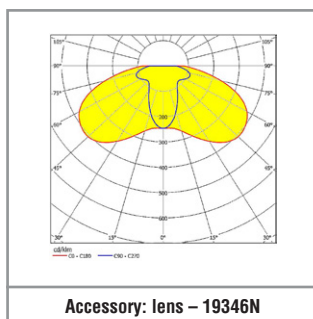
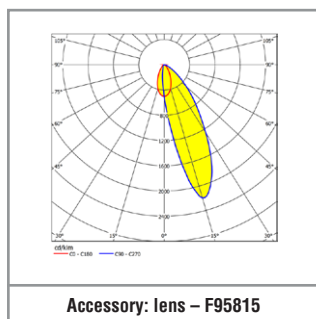
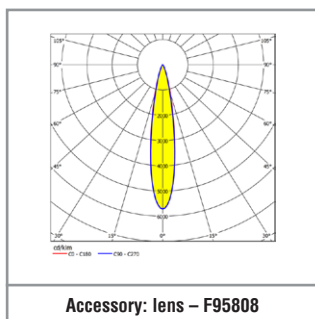
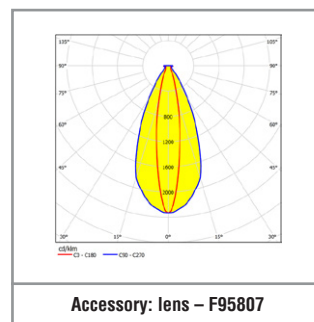
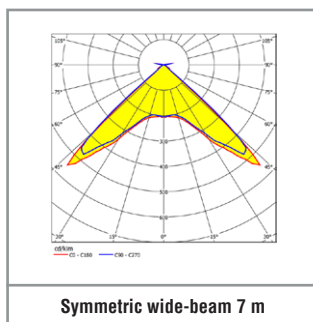
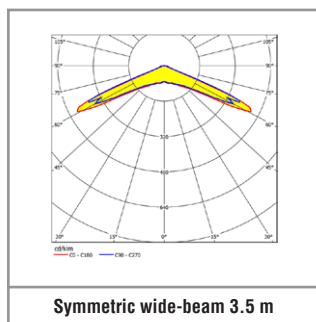
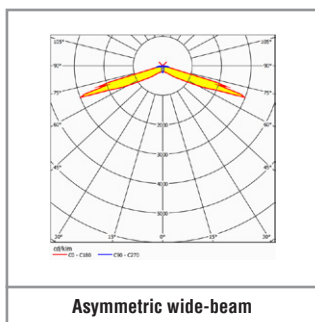
Bracket



Square cover, sheet steel, white (RAL 9010)



Recessed ceiling mounting with device socket, round cover (S24)



Please order accessories separately

Order code	Description
F95966	Lug set for chain and wire mounting (only for surface ceiling mounting)
F95930	Protective basket (only for recessed ceiling mounting)
F95931	Protective basket (only for surface wall mounting, surface ceiling mounting)
F95816	Bracket (only for surface wall mounting)
F95807	Asymmetrical deep-beam lens for mounting heights > 7.5 m (only for surface ceiling mounting, recessed ceiling mounting, bracket, chain/wire, area illumination)
F95808	Symmetrical deep-beam lens for mounting heights > 7.5 m (only for surface ceiling mounting, recessed ceiling mounting, bracket, chain/wire, area illumination)
F95815	Asymmetrical shining lens for illumination of safety devices with 5 lx (only for surface ceiling mounting, recessed ceiling mounting, chain/wire, area illumination)
19346N	Diffusor lens for glare reduction (only for surface wall mounting, recessed wall mounting in device socket for S24, area illumination)
F95812	Square cover, sheet steel, white, RAL 9010 (only for recessed ceiling mounting, escape route illumination, LIFE, LIFE ECO, S24 without device socket, S230)
F95811	Square cover, sheet steel, white, RAL 9010 (only for recessed ceiling mounting, area illumination, LIFE, LIFE ECO, S24 without device socket, S230)
F95814	Square cover, sheet steel, white, RAL 9010 (only for recessed wall mounting, recessed ceiling mounting, escape route illumination, S24 with device socket)
F95813	Square cover, sheet steel, white, RAL 9010 (only for recessed wall mounting, recessed ceiling mounting, area illumination, S24 with device socket)
F95804	Round cover, stainless sheet steel, V2A (only for recessed ceiling mounting, escape route illumination, LIFE, LIFE ECO, S24 without device socket, S230)
F95803	Round cover, stainless sheet steel, V2A (only for recessed ceiling mounting, area illumination, LIFE, LIFE ECO, S24 without device socket, S230)

Included in scope of delivery

Order code	Description
-	Symmetrical wide-beam lens for mounting height 3.5 m (only for area illumination)
-	Symmetrical wide-beam lens for mounting height 7 m (only for area illumination)
-	Asymmetrical wide-beam lens (only for escape route illumination)