

KUBUS



Housing made of flat sheet steel profiles with angular contours.

Available as escape sign luminaire or safety luminaire. High-power LED with light guidance through special lenses for asymmetrical light distribution (illumination of escape routes with 1 lx) or symmetrical light distribution (illumination of areas with 0.5 lx) for safety luminaire. 1 or 2-sided escape route indication through exchangeable panes with additional light outlet downwards for surface wall mounting for escape sign luminaire.

Escape sign luminaire: Versions for surface wall mounting and with additional accessories for pendulum, bracket and chain/wire

Safety luminaire: Versions for surface wall and ceiling mounting

MOUNTING TYPES



MOUNTING TYPES WITH ACCESSORIES



TECHNICAL DATA

Housing:	Sheet steel, white (RAL 9003)	Color temperature:	4.000 K (ESL & SL)
Pane:	PMMA, printed (escape sign luminaire) PMMA, transparent (safety luminaire)	Color rendering index:	80 (ESL) 70 (SL)
Service life L₈₀B₂₀:	50.000 h	Optic interface:	LIFE
Color stability:	3 SDCM		



Commissioning: For Autotest, operating duration, operating mode PS, monitoring group and test duration are only programmable per app B.connect over smartphone locally on luminaire.

SELF-CONTAINED SUPPLY

Mains supply:	198 V – 254 V/50 Hz
Switching:	Maintained and non-maintained
Ambient temperature:	0 °C to +40 °C
Protection class:	I

DECENTRAL SUPPLY

Mains supply:	24 V +/- 20 % DC
Battery supply:	24 V +/- 20 % DC
Ambient temperature:	-20 °C to +40 °C
Protection class:	III

CENTRAL SUPPLY

Mains supply:	198 V – 254 V/50Hz
Battery supply:	176 V – 276 V
Ambient temperature:	-20 °C to +40 °C
Protection class:	I
Mains supply (alt.):	90 V – 254 V / 50/60 Hz
Battery supply (alt.):	90 V – 276 V

Variant	Area 3.5 m	Area 7 m	Escape route
LIFE – safety luminaire	227 lm	223 lm	220 lm
Sicuro24 / Sicuro230 – safety luminaire	302 lm	297 lm	294 lm

Autotest / CableCom Order code	Logica Order code	Logica FM Order code		LED 	$\Phi=$ 1 h	$\Phi=$ 3 h	$\Phi=$ 8 h		S~
Escape sign luminaire, surface wall mounting (1-sided escape route indication)									
37012	37013	37014	21 m	24	-	-	-	LIFE 6.4 V / 1.5 Ah	8 VA
37015	37016	37017	34 m	48	-	-	-	LIFE 6.4 V / 1.5 Ah	8 VA
37018	37019	37020	56 m	48	-	-	-	LIFE 6.4 V / 1.5 Ah	8 VA
Escape sign luminaire, pendulum mounting adaptor (2-sided escape route indication) ¹									
37021	37022	37023	21 m	24	-	-	-	LIFE 6.4 V / 1.5 Ah	8 VA
37024	37025	37026	34 m	48	-	-	-	LIFE 6.4 V / 1.5 Ah	8 VA
37027	37028	37029	56 m	48	-	-	-	LIFE 6.4 V / 1.5 Ah	8 VA
Safety luminaire, surface wall mounting, surface ceiling mounting with 3 changeable lenses (escape route illumination / area illumination)									
37030	37031	37032	-	1	Escape route 294 lm	Escape route 170 lm	Escape route 58 lm	LIFE 6.4 V / 1.5 Ah	8 VA
					Area 3.5 m / 7 m 302 lm / 297 lm	Area 3.5 m / 7 m 173 lm / 171 lm	Area 3.5 m / 7 m 60 lm / 60 lm		

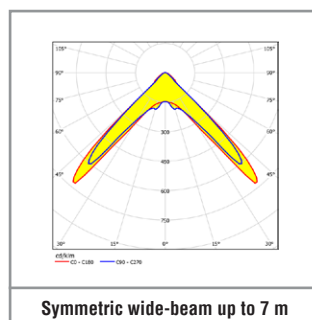
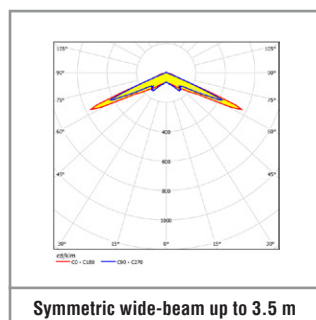
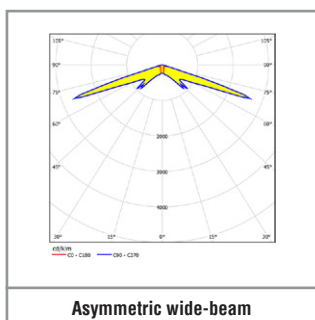
SICURO DECENTRAL SUPPLY

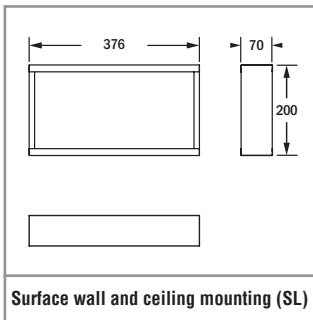
Sicuro24 Order code		LED 	$\Phi=$ 	P=
Escape sign luminaire, surface wall mounting (1-sided escape route indication)				
32004	21 m	24	-	2.2 W
32005	34 m	48	-	4.3 W
32006	56 m	48	-	4.3 W
Escape sign luminaire, pendulum mounting adaptor (2-sided escape route indication) ¹				
32007	21 m	24	-	2.2 W
32008	34 m	48	-	4.3 W
32009	56 m	48	-	4.3 W
Safety luminaire, surface wall mounting, surface ceiling mounting with 3 changeable lenses (escape route illumination / area illumination)				
32010	-	1	Escape route 294 lm	3.8 W
			Area 3.5 m / 7 m 302 lm / 297 lm	

SICURO CENTRAL SUPPLY

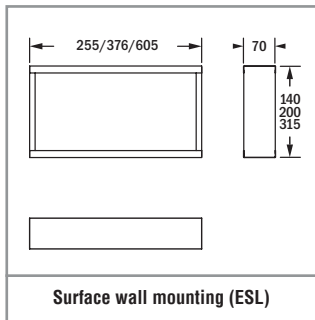
Sicuro230 Order code		LED 	$\Phi=$ 	S~ 	P=
Escape sign luminaire, surface wall mounting (1-sided escape route indication)					
31004	21 m	24	-	5.8 VA / 2.5 W	
31005	34 m	48	-	9.4 VA / 4.7 W	
31006	56 m	48	-	9.4 VA / 4.7 W	
Escape sign luminaire, pendulum mounting adaptor (2-sided escape route indication) ¹					
31007	21 m	24	-	5.8 VA / 2.5 W	
31008	34 m	48	-	9.4 VA / 4.7 W	
31009	56 m	48	-	9.4 VA / 4.7 W	
Safety luminaire, surface wall mounting, surface ceiling mounting with 3 changeable lenses (escape route illumination / area illumination)					
31010	-	1	Escape route 294 lm	8.3 VA / 4.1 W	
			Area 3.5 m / 7 m 302 lm / 297 lm		

¹ Please order additional required accessories for pendulum, bracket and chain/wire separately.

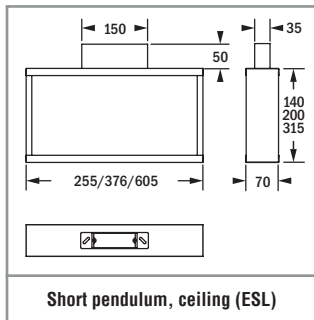




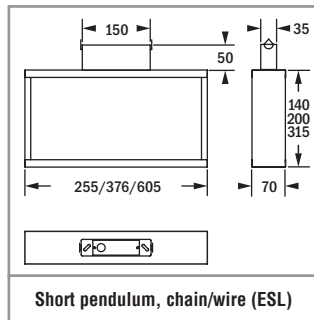
Surface wall and ceiling mounting (SL)



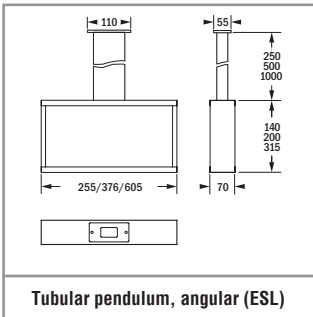
Surface wall mounting (ESL)



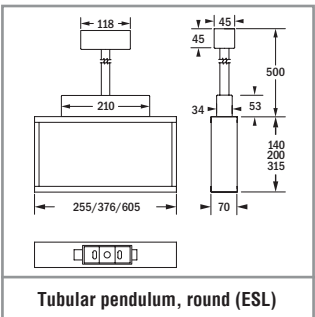
Short pendulum, ceiling (ESL)



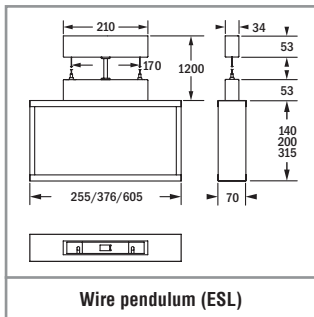
Short pendulum, chain/wire (ESL)



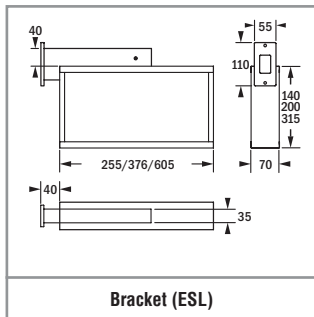
Tubular pendulum, angular (ESL)



Tubular pendulum, round (ESL)



Wire pendulum (ESL)



Bracket (ESL)



Mounting type short pendulum, ceiling – F95057



Light outlet downwards for surface wall mounting, escape sign luminaire

Included in scope of delivery (safety luminaire)	
Order code	Description
–	Symmetrical wide-beam lens for mounting height 3.5 m
–	Symmetrical wide-beam lens for mounting height 7 m
–	Asymmetrical wide-beam lens

Please order escape sign accessories separately				
Order code		Description		
VD 21 m	VD 34 m	VD 56 m		
E16604M	E16608M	E16134M	Escape sign pane	
E16605M	E16609M	E16135M	Escape sign pane	
E16606M	E16610M	E16136M	Escape sign pane	
E16616M	E16617M	E16618M	Escape sign pane	
E16620M	E16640M	E16645M	Escape sign pane	
E16622M	E16642M	E16647M	Escape sign pane	
E16621M	E16641M	E16646M	Escape sign pane	
E16623M	E16643M	E16648M	Escape sign pane	
E16607	E16611	E16234	Pane, opal, PMMA	
E16242	E16241	E16251	Pane, white, sheet steel	

Please order accessories separately			
Order code			Description
VD 21 m	VD 34 m	VD 56 m	
F95057	F95057	F95057	Short pendulum for ceiling mounting
F95600	F95600	F95600	Tubular pendulum, angular, 250 mm
F95601	F95601	F95601	Tubular pendulum, angular, 500 mm
F95602	F95602	F95602	Tubular pendulum, angular, 1.000 mm
F95400	F95400	F95400	Tubular pendulum, round, 500 mm
F95401	F95401	F95401	Wire pendulum, max. 1.200 mm
F95055	F95056	F95070	Bracket
F95067	F95067	F95067	Short pendulum for chain mounting and wire mounting
F95032K	F95032K	–	Protective basket (only for surface wall mounting without pendulum, bracket)