

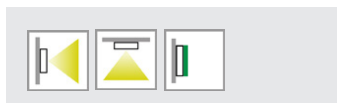
FORMULA65



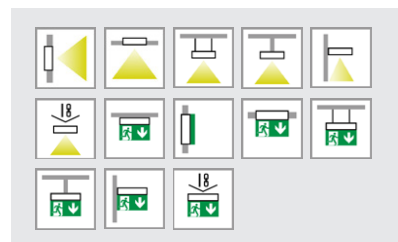
High type of protection. Housing with convex shaped light outlet area and clear cover with click-closures. Light guidance through plastic reflector. 1-sided escape route indication (viewing distance 25 m) through self-adhesive escape sign foils, 2-sided escape route indication (viewing distance 30 m) through escape sign display pane.

Versions for surface wall and ceiling mounting and with additional accessories for recessed wall mounting, recessed ceiling mounting, pendulum, bracket and chain/wire

MOUNTING TYPES



MOUNTING TYPES WITH ACCESSORIES



TECHNICAL DATA

Housing:	Polycarbonate, white (RAL 9003)
Cover:	Polycarbonate, transparent
Display pane:	PMMA (pane, transparent) / Polycarbonate (foil, printed)
Foil:	PVC, printed
Reflector:	Polycarbonate, white
Type of protection:	IP65 (luminaire) IP20 (external equipment housing)

Service life $L_{80B_{50}}$:	50.000 h
Color stability:	3 SDCM
Color temperature:	4.000 K
Color rendering index:	80
Optic interface:	Freezer for LIFE, LIFE



Commissioning: Freezer for LIFE:
For Autotest, operating duration, operating mode PS, monitoring group and test duration are only programmable per app B.connect over smartphone locally on luminaire.
LIFE:
For Autotest, operating duration 8h, operating mode PS, monitoring group and test duration are only programmable per app B.connect over smartphone locally on luminaire.

SELF-CONTAINED SUPPLY

Mains supply:	198 V – 254 V/50 Hz
Switching:	Maintained and non-maintained
Ambient temperature:	
LIFE:	0 °C to +40 °C
LIFE ECO:	0 °C to +40 °C
LIFE - Freezer:	-40 °C to +40 °C (luminaire) 0 °C to +40 °C (equipment housing)
Protection class:	II

DECENTRAL SUPPLY

Mains supply:	24 V +/- 20 % DC
Battery supply:	24 V +/- 20 % DC
Ambient temperature:	-20 °C to +40 °C
Protection class:	III with connection only to low voltage, II with additional connection to voltages above low voltage

CENTRAL SUPPLY

Mains supply:	198 V – 254 V/50 Hz
Battery supply:	176 V – 276 V
Ambient temperature:	-20 °C to +40 °C
Protection class:	II
Mains supply (alt.):	90 V – 254 V / 50/60 Hz ¹⁰
Battery supply (alt.):	90 V – 276 V ¹⁰

¹⁰ For order code 31124

Variant	Order code	
LIFE ECO / LIFE	R2436SA / 37093 / 37094 / 37095 / 19296	250 lm
LIFE ECO / LIFE	19433 / 19435	500 lm
Sicuro24 / Sicuro230	32094 / 31124	400 lm
Sicuro230	31125	600 lm
Sicuro230	31150	1.000 lm
Sicuro24 / Sicuro230	32091 / 31122	1.600 lm

Version Freezer for LIFE

Freezer = light flux of 250 lm in mains operation. Factory-made with external equipment housing, which contains the battery and the LIFE driver module.

Version ULTIMATE LS-UV for Sicuro24

ULTIMATE = particularly high light flux of 1600 lm in mains operation. Factory-made with light switch query (LS) and sub distribution monitoring (UV) through S24 inverter module G31446 in combination with a LED driver.

Version LS-UV for Sicuro230

Factory-made with light switch query (LS) and sub distribution monitoring (UV) through S230 module 17382 in combination with a LED driver.

Version ULTIMATE LS-UV for Sicuro230

ULTIMATE = particularly high light flux of 1600 lm in mains and battery operation. Factory-made with light switch query (LS) and sub distribution monitoring (UV) through S230 module 17382 in combination with a LED driver.

LIFE SELF-CONTAINED SUPPLY - VERSION FREEZER WITH EXTERNAL EQUIPMENT HOUSING

10 YEARS GUARANTEE

Autotest / CableCom Order code	Logica Order code	Logica FM Order code		LED	$\Phi=$ 1h	$\Phi=$ 3h	$\Phi=$ 8h		S~
Surface wall mounting (1-sided escape route indication / illumination), surface ceiling mounting (2-sided escape route indication / illumination) ¹									
37093 ¹⁰	37094 ¹⁰	37095 ¹⁰	25 m	32	400 lm	200 lm	80 lm	LIFE 6.4 V / 1.5 Ah	8 VA

LIFE SELF-CONTAINED SUPPLY

10 YEARS GUARANTEE

Autotest / CableCom Order code	Logica Order code	Logica FM Order code		LED	$\Phi=$ 1h	$\Phi=$ 3h	$\Phi=$ 8h		S~
Surface wall mounting (1-sided escape route indication / illumination), surface ceiling mounting (2-sided escape route indication / illumination) ¹									
19296	19296+15036 ²	19296+15037 ³	25 m	32	1.000 lm	400 lm	170 lm	2x LIFE 6.4 V / 1.5 Ah	34.8 VA
19435	19435+15036 ²	19435+15037 ³	25 m	32	1.500 / 2.200 ⁴ lm	550 / 900 ⁴ lm	190 / 340 ⁴ lm	LIFE 9.6 V / 1.5 Ah	40 VA

LIFE ECO SELF-CONTAINED SUPPLY

5 YEARS GUARANTEE

Autotest Order code		LED	$\Phi=$ 1h	$\Phi=$ 3h	$\Phi=$ 8h		S~
Surface wall mounting (1-sided escape route indication / illumination), surface ceiling mounting (2-sided escape route indication / illumination) ¹							
R2436SA	25 m	32	700 lm	240 lm	100 lm	LIFE 3.2 V / 3 Ah	40 VA
19433	25 m	32	1.500 / 2.200 ⁴ lm	550 / 900 ⁴ lm	190 / 340 ⁴ lm	LIFE 9.6 V / 1.5 Ah	40 VA

DECENTRAL SUPPLY, DECENTRAL SUPPLY - VERSION ULTIMATE LS-UV

Sicuro24 Order code		LED	$\Phi=$	P=
Surface wall mounting (1-sided escape route indication / illumination), surface ceiling mounting (2-sided escape route indication / illumination) ¹				
32094 ⁵	25 m	32	400 lm	3.8 W
32091 ⁶	25 m	32	400 lm	4.3 W

CENTRAL SUPPLY, CENTRAL SUPPLY - VERSIONS LS-UV & ULTIMATE LS-UV

Sicuro230 Order code		LED	$\Phi=$	S~	P=
Surface wall mounting (1-sided escape route indication / illumination), surface ceiling mounting (2-sided escape route indication / illumination) ¹					
31124 ⁷	25 m	32	400 lm	8.5 VA / 4.1 W	
31125 ⁸	25 m	32	600 lm	8.1 VA / 6.4 W	
31150 ⁸	25 m	32	1.000 lm	12 VA / 10.4 W	
31122 ⁹	25 m	32	1.600 lm	15.9 VA / 15 W	

¹ Please order additional required accessories for recessed wall and ceiling mounting, pendulum, bracket and chain/wire separately. The pendulum mounting adaptors are needed for all types of pendulums, but not for the bracket.

² Please order Logica interface (15036) separately.

³ Please order Logica FM interface (15037) separately.

⁴ Light flux with subsidiary battery. Please order subsidiary battery separately.

⁵ With S24 driver module G31445.

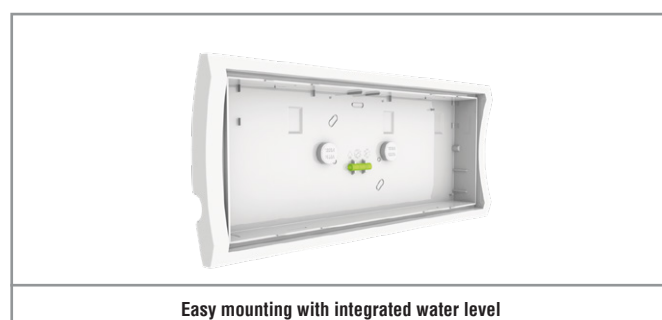
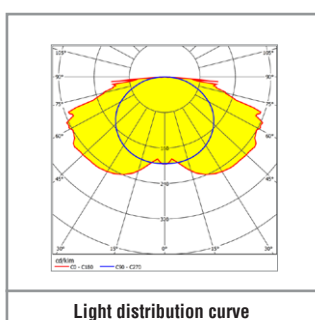
⁶ Version Ultimate LS-UV (light switch query and sub distribution monitoring) with S24 inverter module G31446 and LED driver.

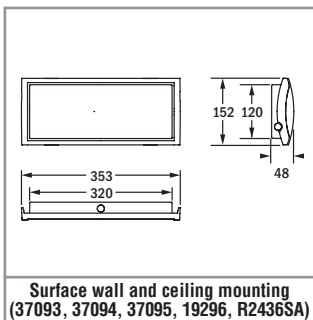
⁷ With S230 driver module 17380.

⁸ Version LS-UV (light switch query and sub distribution monitoring) with S230 module 17382 and LED driver.

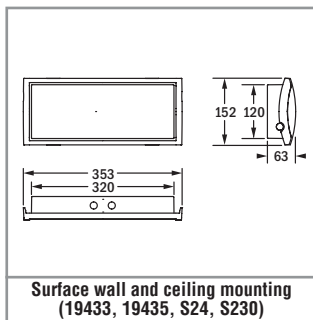
⁹ Version Ultimate LS-UV (light switch query and sub distribution monitoring) with S230 module 17382 and LED driver.

¹⁰ Version Freezer with battery and LIFE driver module in external equipment housing. Luminaire for use in rooms with particularly low ambient temperature.

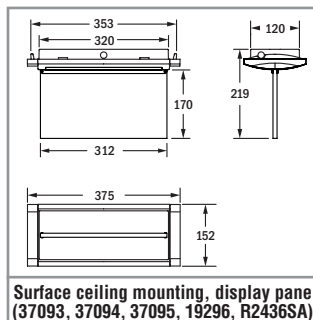




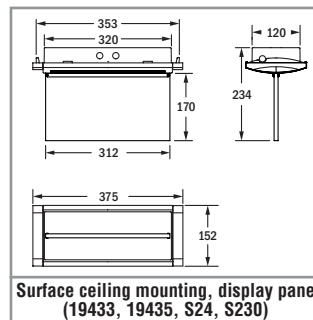
Surface wall and ceiling mounting
(37093, 37094, 37095, 19296, R2436SA)



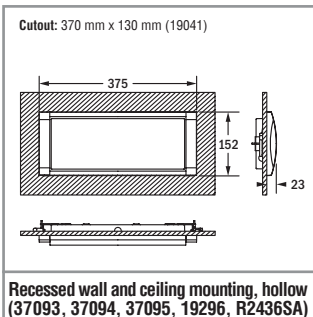
Surface wall and ceiling mounting
(19433, 19435, S24, S230)



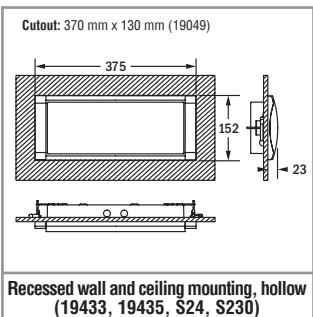
Surface ceiling mounting, display pane
(37093, 37094, 37095, 19296, R2436SA)



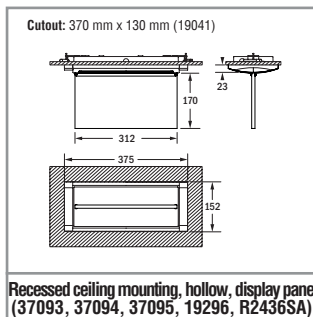
Surface ceiling mounting, display pane
(19433, 19435, S24, S230)



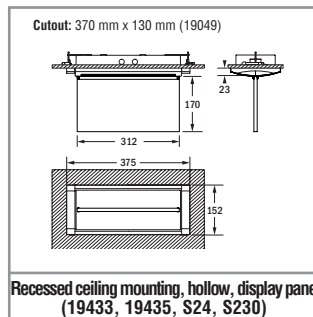
Recessed wall and ceiling mounting, hollow
(37093, 37094, 37095, 19296, R2436SA)



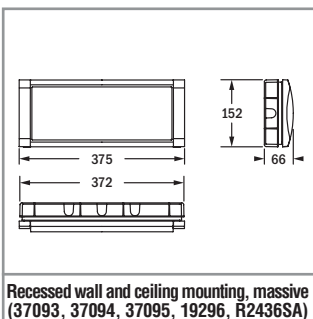
Recessed wall and ceiling mounting, hollow
(19433, 19435, S24, S230)



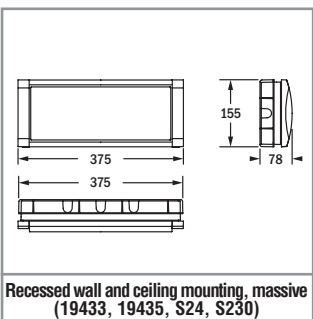
Recessed ceiling mounting, hollow, display pane
(37093, 37094, 37095, 19296, R2436SA)



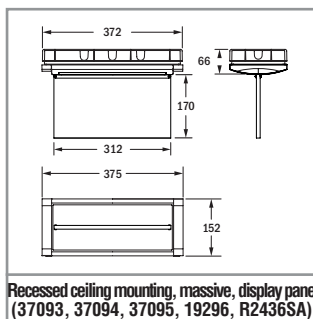
Recessed ceiling mounting, hollow, display pane
(19433, 19435, S24, S230)



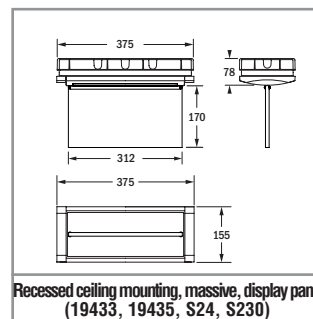
Recessed wall and ceiling mounting, massive
(37093, 37094, 37095, 19296, R2436SA)



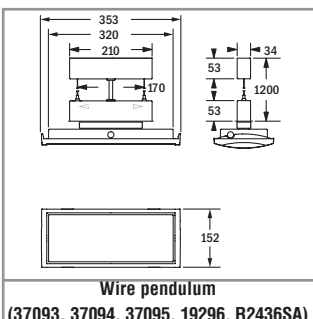
Recessed wall and ceiling mounting, massive
(19433, 19435, S24, S230)



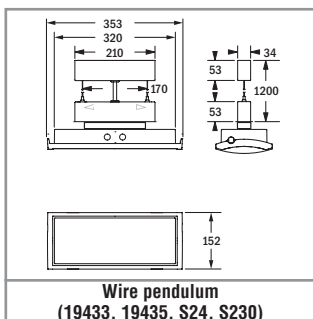
Recessed ceiling mounting, massive, display pane
(37093, 37094, 37095, 19296, R2436SA)



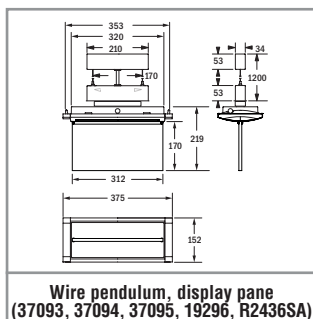
Recessed ceiling mounting, massive, display pane
(19433, 19435, S24, S230)



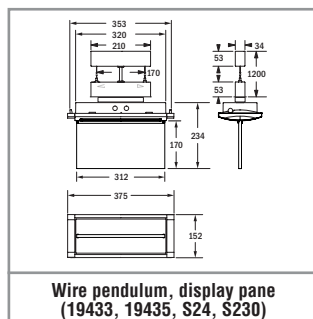
Wire pendulum
(37093, 37094, 37095, 19296, R2436SA)



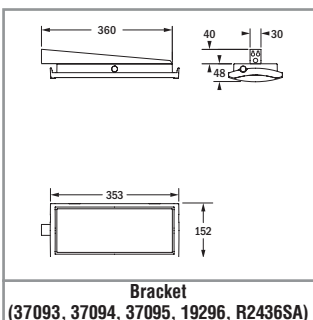
Wire pendulum
(19433, 19435, S24, S230)



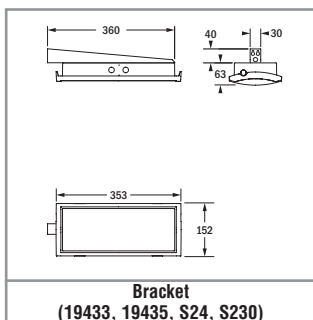
Wire pendulum, display pane
(37093, 37094, 37095, 19296, R2436SA)



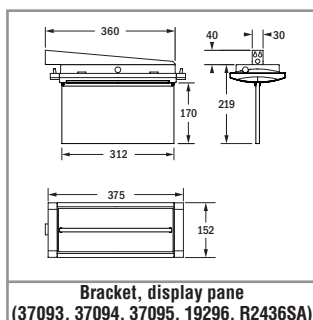
Wire pendulum, display pane
(19433, 19435, S24, S230)



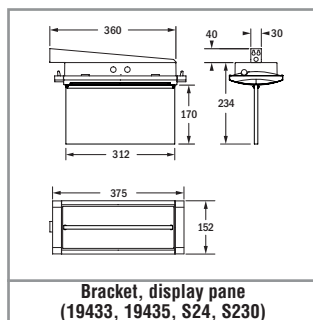
Bracket
(37093, 37094, 37095, 19296, R2436SA)



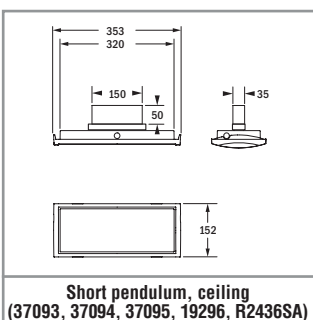
Bracket
(19433, 19435, S24, S230)



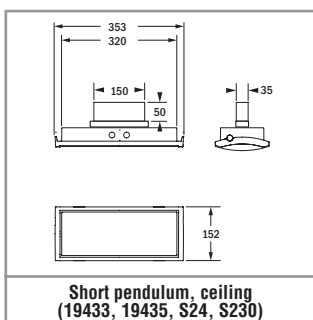
Bracket, display pane
(37093, 37094, 37095, 19296, R2436SA)



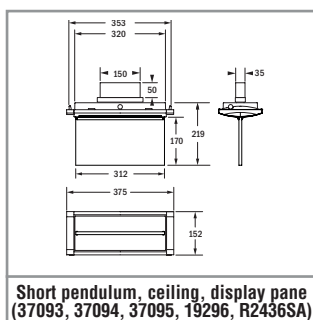
Bracket, display pane
(19433, 19435, S24, S230)



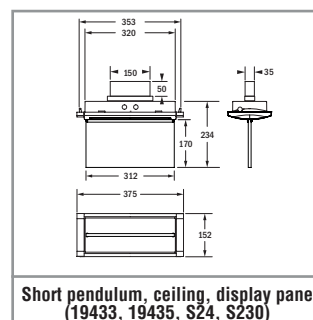
Short pendulum, ceiling
(37093, 37094, 37095, 19296, R2436SA)



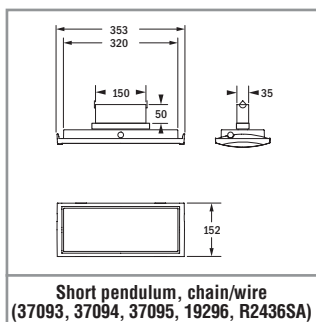
Short pendulum, ceiling
(19433, 19435, S24, S230)



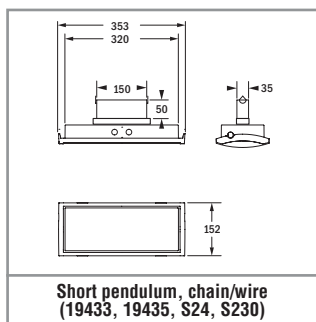
Short pendulum, ceiling, display pane
(37093, 37094, 37095, 19296, R2436SA)



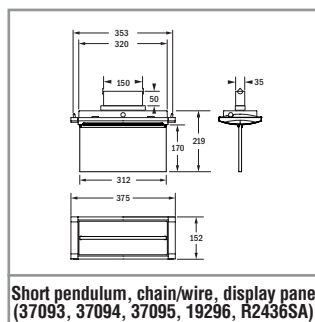
Short pendulum, ceiling, display pane
(19433, 19435, S24, S230)



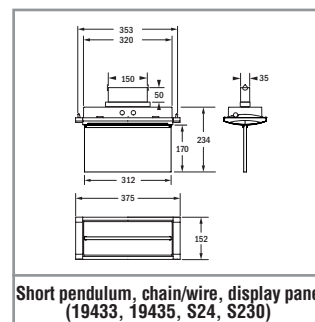
Short pendulum, chain/wire
(37093, 37094, 37095, 19296, R2436SA)



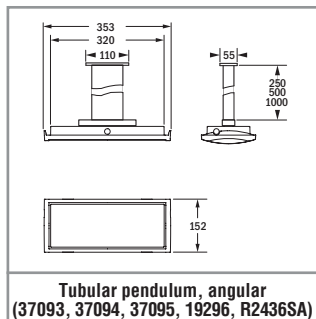
Short pendulum, chain/wire
(19433, 19435, S24, S230)



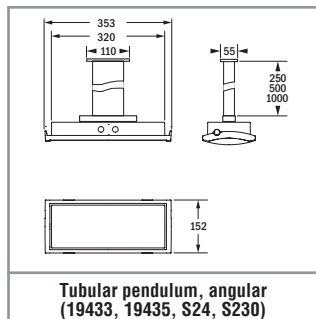
Short pendulum, chain/wire, display pane
(37093, 37094, 37095, 19296, R2436SA)



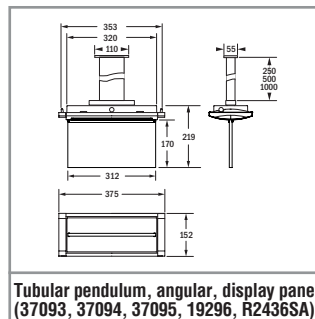
Short pendulum, chain/wire, display pane
(19433, 19435, S24, S230)



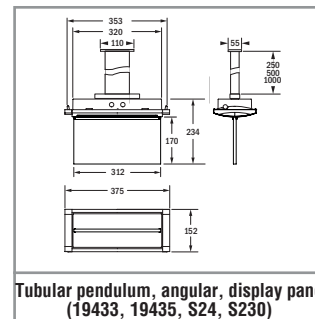
Tubular pendulum, angular
(37093, 37094, 37095, 19296, R2436SA)



Tubular pendulum, angular
(19433, 19435, S24, S230)



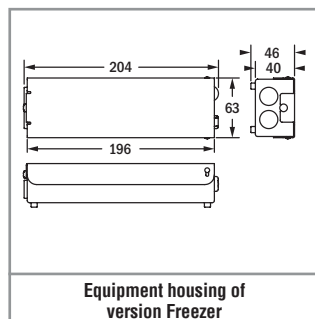
Tubular pendulum, angular, display pane
(37093, 37094, 37095, 19296, R2436SA)



Tubular pendulum, angular, display pane
(19433, 19435, S24, S230)



Mounting in massive walls (37093, 37094, 37095, 19296, R2436SA) – 19040



Equipment housing of
version Freezer



Mounting in hollow ceilings (37093, 37094, 37095, 19296, R2436SA) – 19041

Please order accessories separately

Order code	Description
VD 25 m	VD 30 m
F95943	F95943 Pendulum mounting adaptor, for 37093, 37094, 37095, 19296, R2436SA
F95961	F95961 Pendulum mounting adaptor, for 19433, 19435, S24, S230
F95067	F95067 Short pendulum for chain and wire mounting
F95057	F95057 Short pendulum for ceiling mounting
F95600	F95600 Tubular pendulum, angular, 250 mm
F95601	F95601 Tubular pendulum, angular, 500 mm
F95602	F95602 Tubular pendulum, angular, 1.000 mm
F95401	F95401 Wire pendulum, max. 1.200 mm
19045	19045 Bracket
F95942	F95942 Cover for ceiling mounting with not fully closed ceilings as well as light band mounting
19040	19040 Recessed mounting set for massive walls and massive ceilings (concrete-cast housing), for 37093, 37094, 37095, 19296, R2436SA
19048	19048 Recessed mounting set for massive walls and massive ceilings (concrete-cast housing), for 19433, 19435, S24, S230
19041	19041 Recessed mounting set for hollow walls and hollow ceilings, for 37093, 37094, 37095, 19296, R2436SA
19049	19049 Recessed mounting set for hollow walls and hollow ceilings, for 19433, 19435, S24, S230
15036	15036 Logica interface for 19296 and 19435
15037	15037 Logica FM interface for 19296 and 19435
15038	15038 DALI interface for 19296 and 19435 (for connection to DALI central of the general and safety lighting)
3912	- Protective basket (only for surface wall or ceiling mounting without escape sign display pane / short pendulum)
RA06	RA06 Subsidiary battery LIFE 9.6 V / 1.5 Ah for 19433 and 19435

Included in scope of delivery

Order code	Description
VD 25 m	VD 30 m
19044	Set of escape sign foils

Please order escape sign accessories separately

Order code	Description
VD 25 m	VD 30 m
29000	Escape sign foil
E16040M-KIT-F65	Escape sign display pane
E16041M-KIT-F65	Escape sign display pane
E16042M-KIT-F65	Escape sign display pane
E16043M-KIT-F65	Escape sign display pane
E16045M-KIT-F65	Escape sign display pane
19059	Set of escape sign display panes