

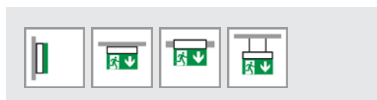


PLEXI LED

Housing in flat design made of sheet steel and frameless display with integrated light guide panel made of clear plastic. Homogeneous light distribution for realization of an optimal illumination of the escape sign. 1- or 2-sided escape route indication through exchangeable escape sign foils.

Versions for surface wall and ceiling mounting, recessed ceiling mounting as wire pendulum (in hollow ceilings) and wire pendulum (surface ceiling mounting) and with additional accessories for recessed ceiling mounting (in massive ceilings) and bracket

MOUNTING TYPES



MOUNTING TYPES WITH ACCESSORIES



TECHNICAL DATA

Housing:	Sheet steel, white (RAL 9010)	Color stability:	3 SDCM
Display pane:	Light guide panel (display pane) / Polycarbonate (foil, printed)	Color temperature:	5.000 K
Service life $L_{90B_{20}}$:	50.000 h	Color rendering index:	80
		Optic interface:	LIFE



Commissioning: For Autotest, operating duration, operating mode PS, monitoring group and test duration are only programmable per app B.connect over smartphone locally on luminaire.

SELF-CONTAINED SUPPLY

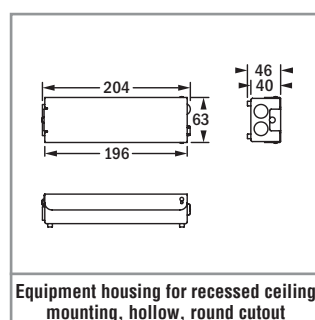
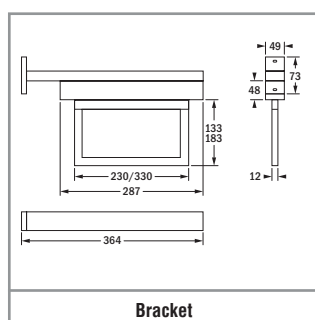
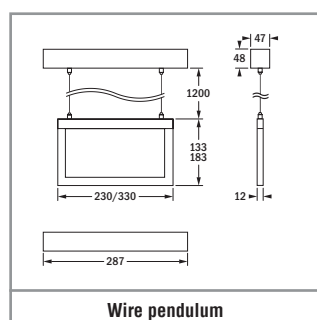
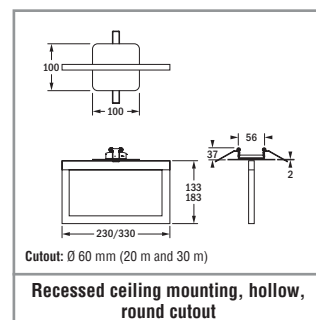
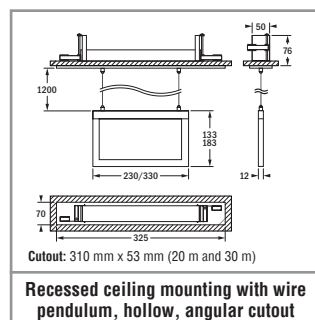
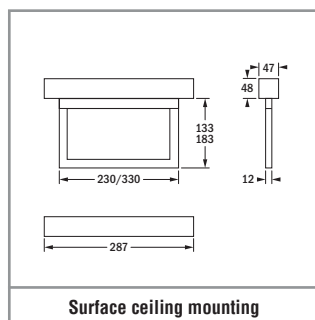
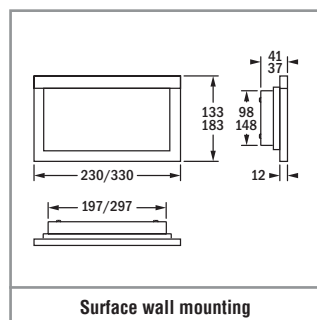
Mains supply:	198 V – 254 V / 50 Hz
Switching:	Maintained and non-maintained
Ambient temperature:	0 °C to +40 °C
Protection class:	II for recessed ceiling mounting with round cutout, I for all other mounting types

DECENTRAL SUPPLY

Mains supply:	24 V +/- 20 % DC
Battery supply:	24 V +/- 20 % DC
Ambient temperature:	-20 °C to +40 °C
Protection class:	III

CENTRAL SUPPLY

Mains supply:	198 V – 254 V / 50 Hz
Battery supply:	176 V – 276 V
Ambient temperature:	-20 °C to +40 °C
Protection class:	II for recessed ceiling mounting with round cutout, I for all other mounting types
Mains supply (alt.):	90 V – 254 V / 50/60 Hz
Battery supply (alt.):	90 V – 276 V



Autotest / CableCom Order code	Logica Order code	Logica FM Order code		LED 	t 		S~
Surface wall mounting (1-sided escape route indication)							
37150	37151	37152	20 m	32	1 h / 3 h / 8 h	LIFE 6.4 V / 1.5 Ah	8 VA
37153	37154	37155	30 m	48	1 h / 3 h / 8 h	LIFE 6.4 V / 1.5 Ah	8 VA
Surface ceiling mounting (2-sided escape route indication) ¹							
37144	37145	37146	20 m	32	1 h / 3 h / 8 h	LIFE 6.4 V / 1.5 Ah	8 VA
37147	37148	37149	30 m	48	1 h / 3 h / 8 h	LIFE 6.4 V / 1.5 Ah	8 VA
Recessed ceiling mounting with wire pendulum, angular cutout (2-sided escape route indication)							
37138	37139	37140	20 m	32	1 h / 3 h / 8 h	LIFE 6.4 V / 1.5 Ah	8 VA
37141	37142	37143	30 m	48	1 h / 3 h / 8 h	LIFE 6.4 V / 1.5 Ah	8 VA
Recessed ceiling mounting, round cutout (2-sided escape route indication)							
37180	37182	37243	20 m	32	1 h / 3 h / 8 h	LIFE 6.4 V / 1.5 Ah	8 VA
37181	37242	37244	30 m	48	1 h / 3 h / 8 h	LIFE 6.4 V / 1.5 Ah	8 VA
Wire pendulum (2-sided escape route indication) ²							
37132	37133	37134	20 m	32	1 h / 3 h / 8 h	LIFE 6.4 V / 1.5 Ah	8 VA
37135	37136	37137	30 m	48	1 h / 3 h / 8 h	LIFE 6.4 V / 1.5 Ah	8 VA

SICURO LED[®] DECENTRAL SUPPLY

Sicuro24 Order code		LED 	P=
Surface wall mounting (1-sided escape route indication)			
32081	20 m	32	2.9 W
32082	30 m	48	4.3 W
Surface ceiling mounting (2-sided escape route indication) ¹			
32079	20 m	32	2.9 W
32080	30 m	48	4.3 W
Recessed ceiling mounting with wire pendulum, angular cutout (2-sided escape route indication)			
32077	20 m	32	2.9 W
32078	30 m	48	4.3 W
Recessed ceiling mounting, round cutout (2-sided escape route indication)			
32113	20 m	32	2.9 W
32114	30 m	48	4.3 W
Wire pendulum (2-sided escape route indication) ²			
32075	20 m	32	2.9 W
32076	30 m	48	4.3 W

SICURO LED[®] CENTRAL SUPPLY

Sicuro230 Order code		LED 	S~ 	P=
Surface wall mounting (1-sided escape route indication)				
31110	20 m	32	7.4 VA / 3.5 W	
31111	30 m	48	9.4 VA / 4.7 W	
Surface ceiling mounting (2-sided escape route indication) ¹				
31108	20 m	32	7.4 VA / 3.5 W	
31109	30 m	48	9.4 VA / 4.7 W	
Recessed ceiling mounting with wire pendulum, angular cutout (2-sided escape route indication)				
31106	20 m	32	7.4 VA / 3.5 W	
31107	30 m	48	9.4 VA / 4.7 W	
Recessed ceiling mounting, round cutout (2-sided escape route indication)				
31138	20 m	32	7.4 VA / 3.5 W	
31139	30 m	48	9.4 VA / 4.7 W	
Wire pendulum (2-sided escape route indication) ²				
31104	20 m	32	7.4 VA / 3.5 W	
31105	30 m	48	9.4 VA / 4.7 W	

¹ Please order additional required accessories for recessed ceiling mounting (in massive ceilings) and bracket separately.

² Please order additional required accessories for recessed ceiling mounting (in massive ceilings) separately.

Please order escape sign accessories separately

Order code	Description	
VD 20 m	VD 30 m	
16772	16781	Escape sign foil
16773	16782	Escape sign foil
16774	16783	Escape sign foil
16775	16784	Escape sign foil
16776	16785	Escape sign foil EXIT
16777	16786	Escape sign foil <EXIT
16778	16787	Escape sign foil EXIT

Included in scope of delivery

Order code	Description	
VD 20 m	VD 30 m	
16770	16779	Kit of escape sign foils one-sided indication
16771	16780	Kit of escape sign foils double-sided indication

Please order accessories separately

Order code	Description	
VD 20 m	VD 30 m	
F95944	F95944	Bracket
F95962	F95963	Recessed mounting set for massive ceilings (concrete-cast housing), for surface ceiling mounting and wire pendulum (only as surface ceiling mounting)