



## IRON FLAG 65

**Escape sign luminaire with high type of protection in angular design.** Very robust housing made of unpainted aluminium and universal display pane made of polycarbonate. Easy to install. 1- or 2-sided escape route indication through exchangeable escape sign foils. Generous connection chamber for the internal wiring.

Versions for surface wall and ceiling mounting and bracket

### MOUNTING TYPES



### TECHNICAL DATA

<b>Housing:</b>	Aluminium, anodized, grey	<b>Color stability:</b>	3 SDCM
<b>Display pane:</b>	Polycarbonate (display pane) Polycarbonate (foil, printed)	<b>Color temperature:</b>	4.000 K
<b>Service life <math>L_{80}B_{20}</math>:</b>	50.000 h	<b>Color rendering index:</b>	80
		<b>Optic interface:</b>	LIFE



**Commissioning:** For Autotest, operating duration, operating mode PS, monitoring group and test duration are only programmable per app B.connect over smartphone locally on luminaire.

### SELF-CONTAINED SUPPLY

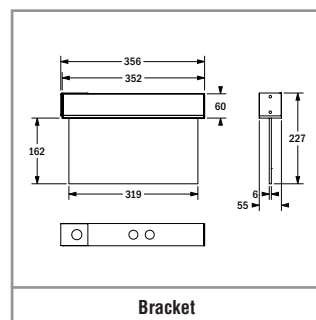
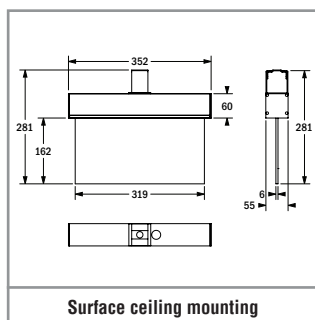
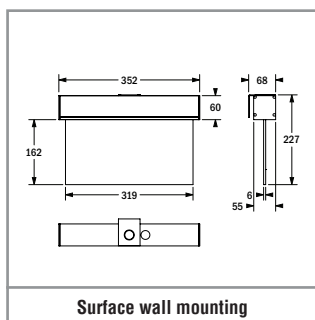
<b>Mains supply:</b>	198 V – 254 V/50 Hz
<b>Switching:</b>	Maintained and non-maintained
<b>Ambient temperature:</b>	0 °C to +40 °C
<b>Protection class:</b>	I

### DECENTRAL SUPPLY

<b>Mains supply:</b>	24 V +/- 20 % DC
<b>Battery supply:</b>	24 V +/- 20 % DC
<b>Ambient temperature:</b>	-20 °C to +40 °C
<b>Protection class:</b>	III





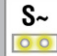
### CENTRAL SUPPLY

<b>Mains supply:</b>	198 V – 254 V/50 Hz
<b>Battery supply:</b>	176 V – 276 V
<b>Ambient temperature:</b>	-20 °C to +40 °C
<b>Protection class:</b>	I
<b>Mains supply (alt.):</b>	90 V – 254 V / 50/60 Hz
<b>Battery supply (alt.):</b>	90 V – 276 V



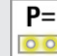


## LIFE SELF-CONTAINED SUPPLY




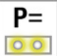
10 YEARS GUARANTEE

Autotest / CableCom Order code	Logica Order code	Logica FM Order code		LED 	t 		S~ 
Surface wall mounting (1-sided escape route indication), surface ceiling mounting or bracket (2-sided escape route indication)							
4384	4384+15036 <sup>1</sup>	4384+15049 <sup>1</sup>	30 m	36	1 h / 3 h / 8 h	2x LIFE 6.4 V / 0.6 Ah	8 VA

## SICURO<sup>LED</sup> DECENTRAL SUPPLY

Sicuro24 Order code		LED 	P= 
Surface wall mounting (1-sided escape route indication), surface ceiling mounting or bracket (2-sided escape route indication)			
17925	30 m	36	3.7 W

## SICURO<sup>LED</sup> CENTRAL SUPPLY

Sicuro230 Order code		LED 	S~ 	P= 
Surface wall mounting (1-sided escape route indication), surface ceiling mounting or bracket (2-sided escape route indication) <b>with luminaire monitoring (EÜ)</b>				
17924	30 m	36	8,3 VA / 4,1 W	
Surface wall mounting (1-sided escape route indication), surface ceiling mounting or bracket (2-sided escape route indication) <b>with circuit monitoring (SÜ)</b>				
17926	30 m	36	9,5 VA / 4,7 W	

<sup>1</sup> Please order Logica interface (15036) and Logica FM interface (15049) separately.

Included in scope of delivery	
Order code	Description
-	Set of escape sign foils 

Please order accessories separately	
Order code	Description
15036	Logica interface for LIFE
15049	Logica FM interface for LIFE (IP65, luminaire attachment)
15038	DALI interface for LIFE (for connection to DALI central of the general and safety lighting)