

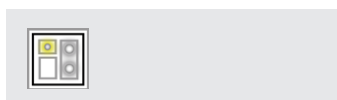
## PLURALUCE MODULE



**Luminaire module for installation in luminaires of the general lighting.** High-power LED with light guidance through special lenses for asymmetrical shining light distribution (illumination of escape routes with 1 lx), symmetrical shining light distribution (illumination of areas with 0.5 lx) and 1-sided asymmetrical shining light distribution (illumination of safety devices with 5 lx).

Version for luminaire installation

### MOUNTING TYPES



### TECHNICAL DATA

<b>Cover:</b>	Polycarbonate, white (RAL 9010)	<b>Color temperature:</b>	4.000 K
<b>Lens:</b>	PMMA, transparent	<b>Color rendering index:</b>	70
<b>Service life L<sub>80</sub>B<sub>20</sub>:</b>	50.000 h	<b>Optic interface:</b>	LIFE
<b>Color stability:</b>	3 SDCM		



**Commissioning:** For Autotest, operating duration, operating mode PS, monitoring group and test duration are only programmable per app B.connect over smartphone locally on luminaire.

### SELF-CONTAINED SUPPLY

<b>Mains supply:</b>	198 V – 254 V/50 Hz
<b>Switching:</b>	Maintained and non-maintained
<b>Ambient temperature:</b>	0 °C to +40 °C
<b>Protection class:</b>	II

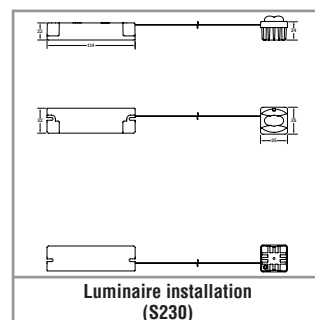
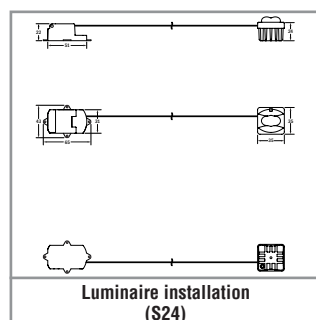
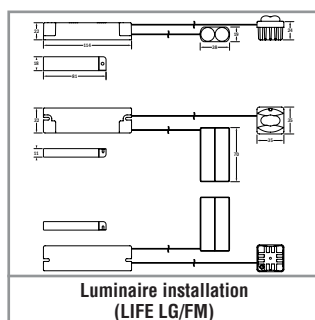
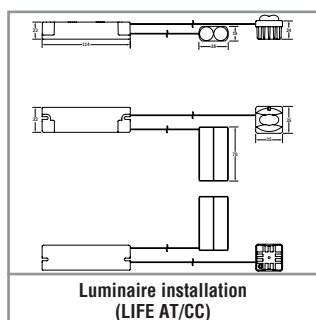
### DECENTRAL SUPPLY

<b>Mains supply:</b>	24 V +/- 20 % DC
<b>Battery supply:</b>	24 V +/- 20 % DC
<b>Ambient temperature:</b>	-20 °C to +40 °C
<b>Protection class:</b>	III

### CENTRAL SUPPLY

<b>Mains supply:</b>	198 V – 254 V/50 Hz
<b>Battery supply:</b>	176 V – 276 V
<b>Ambient temperature:</b>	-20 °C to +40 °C
<b>Protection class:</b>	II
<b>Mains supply (alt.):</b>	90 V – 254 V / 50/60 Hz
<b>Battery supply (alt.):</b>	90 V – 276 V

Variant	Area 3.5 m	Area 7 m	Escape route
LIFE	271 lm	271 lm	248 lm
Sicuro24 / Sicuro230	361 lm	361 lm	330 lm



Autotest / CableCom Order code	Logica Order code	Logica FM Order code	LED	$\Phi=$ 1 h	$\Phi=$ 3 h	$\Phi=$ 8 h		S~
-----------------------------------	----------------------	-------------------------	-----	-------------	-------------	-------------	--	----

Luminaire installation for area illumination and escape route illumination with 3 changeable lenses

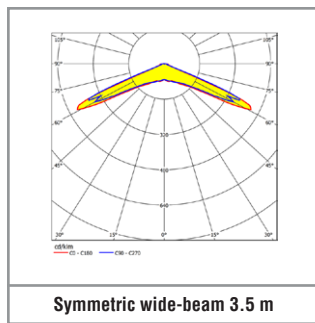
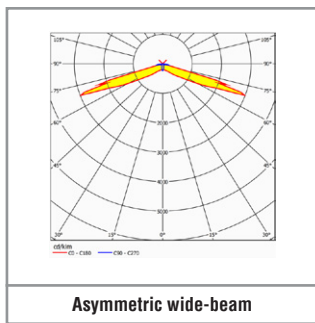
37087	37088	37089	1	Escape route 330 lm Area 3.5 m / 7 m 361 lm / 361 lm	Escape route 190 lm Area 3.5 m / 7 m 207 lm / 207 lm	Escape route 66 lm Area 3.5 m / 7 m 72 lm / 72 lm	LIFE 6.4 V / 1.5 Ah	8 VA
-------	-------	-------	---	---	---	--	---------------------	------

**SICURO** DECENTRAL SUPPLY

Sicuro24 Order code	LED	$\Phi=$	P=
------------------------	-----	---------	----

Luminaire installation for area illumination and escape route illumination with 3 changeable lenses

32042	1	Escape route 330 lm Area 3.5 m / 7 m 361 lm / 361 lm	3.8 W
-------	---	---	-------

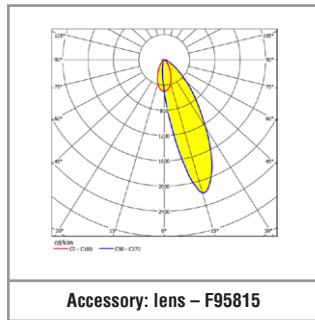
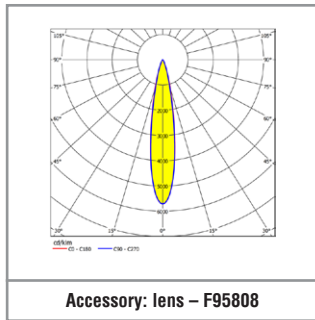
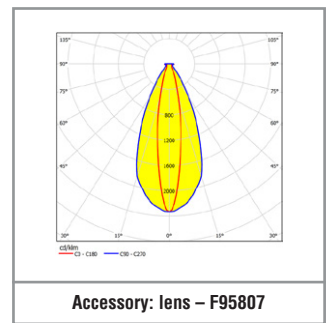
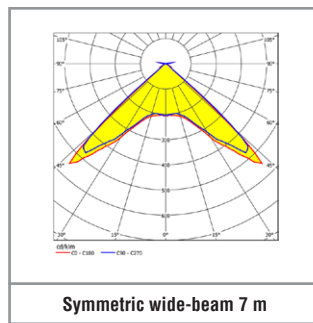


**SICURO** CENTRAL SUPPLY

Sicuro230 Order code	LED	$\Phi=$	S~	P=
-------------------------	-----	---------	----	----

Luminaire installation for area illumination and escape route illumination with 3 changeable lenses

31040	1	Escape route 330 lm Area 3.5 m / 7 m 361 lm / 361 lm	8.3 VA / 4.1 W
-------	---	---	----------------

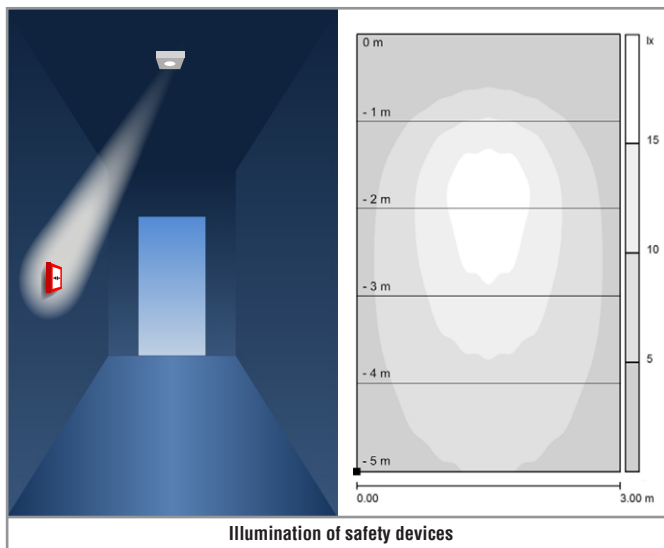


Mounting screw (M3) included in scope of delivery

Attachment of lenses through adhesive technology

Inside thread (M3) on back side of high-power LED

**The high-power LED: long service life through optimal heat dissipation**



Included in scope of delivery	
Order code	Description
-	Symmetrical wide-beam lens for mounting height 3.5 m
-	Symmetrical wide-beam lens for mounting height 7 m
-	Asymmetrical wide-beam lens

Please order accessories separately	
Order code	Description
F95807	asymmetrical deep-beam lens for mounting heights > 7.5 m
F95808	symmetrical deep-beam lens for mounting heights > 7.5 m
F95815	asymmetrical shining lens for illumination of safety devices with 5 lx