

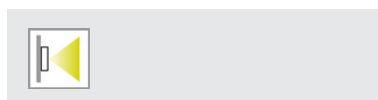
TRIANGLE



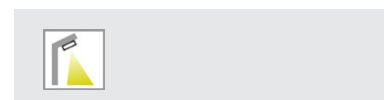
Housing made of stainless sheet steel in white or unpainted in triangular design with light-emitting surface downwards. High-power LED with light guidance through special lenses for asymmetrical light distribution (illumination of escape routes with 1 lx) or for symmetrical light distribution (illumination of areas with 0.5 lx).

Versions for surface wall mounting and with additional accessory for bollard (only S230 and S24)

MOUNTING TYPES



MOUNTING TYPES WITH ACCESSORIES



TECHNICAL DATA

Housing:	Stainless sheet steel, V2A, white (RAL 9010) Stainless sheet steel, V2A	Color stability:	3 SDCM
Pane:	PMMA, transparent	Color temperature:	4.000 K
Lens:	PMMA, transparent	Color rendering index:	70
Service life $L_{80} B_{20}$:	50.000 h	Optic interface:	LIFE

Commissioning: For Autotest, operating duration, operating mode PS, monitoring group and test duration are only programmable per app B.connect over smartphone locally on luminaire.

SELF-CONTAINED SUPPLY

Mains supply:	198 V – 254 V / 50 Hz
Switching:	Maintained and non-maintained
Ambient temperature:	0 °C to +40 °C
Protection class:	I

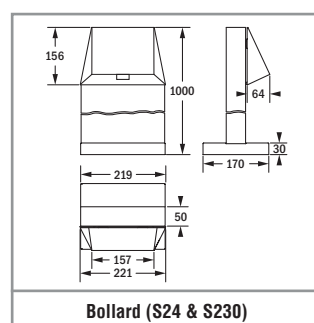
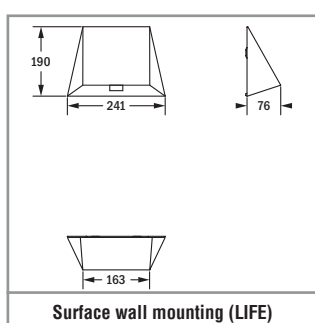
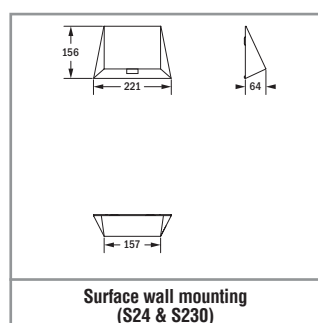
DECENTRAL SUPPLY

Mains supply:	24 V +/- 20 % DC
Battery supply:	24 V +/- 20 % DC
Ambient temperature:	-20 °C to +40 °C
Protection class:	III

CENTRAL SUPPLY

Mains supply:	198 V – 254 V / 50 Hz
Battery supply:	176 V – 276 V
Ambient temperature:	-20 °C to +40 °C
Protection class:	I
Mains supply (alt.):	90 V – 254 V / 50/60 Hz
Battery supply (alt.):	90 V – 276 V

Variant	Area 3,5 m	Area 7 m	Escape route
LIFE	199 lm	203 lm	186 lm
Sicuro24 / Sicuro230	265 lm	271 lm	248 lm



LIFE SELF-CONTAINED SUPPLY

10 YEARS GUARANTEE

Autotest / CableCom Order code	Logica Order code	Logica FM Order code	Version	LED	Φ= 1 h	Φ= 3 h	Φ= 8 h		S~
-----------------------------------	----------------------	-------------------------	---------	-----	--------	--------	--------	--	----

Surface wall mounting for escape route illumination or area illumination with 3 changeable lenses

37270	37271	37272	V2A, white	1	Escape route 248 lm	Escape route 143 lm	Escape route 50 lm	LIFE 6.4 V / 1.5 Ah	8 VA
					Area 3.5 m / 7 m 265 lm / 271 lm	Area 3.5 m / 7 m 152 lm / 157 lm	Area 3.5 m / 7 m 53 lm / 54 lm		
37273	37274	37275	V2A	1	Escape route 248 lm	Escape route 143 lm	Escape route 50 lm	LIFE 6.4 V / 1.5 Ah	8 VA
					Area 3.5 m / 7 m 265 lm / 271 lm	Area 3.5 m / 7 m 152 lm / 157 lm	Area 3.5 m / 7 m 53 lm / 54 lm		

SICURO^{LED} DECENTRAL SUPPLY

Sicuro24 Order code	Version	LED	Φ=	P=
------------------------	---------	-----	----	----

Surface wall mounting for escape route illumination or area illumination with 3 changeable lenses¹

32057	V2A, white	1	Escape route 248 lm	3.8 W
			Area 3.5 m / 7 m 265 lm / 271 lm	
32058	V2A	1	Escape route 248 lm	3.8 W
			Area 3.5 m / 7 m 265 lm / 271 lm	

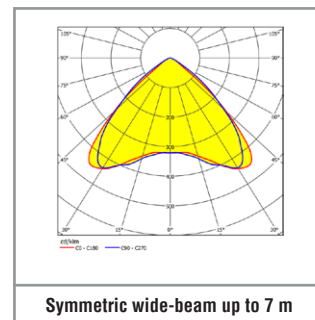
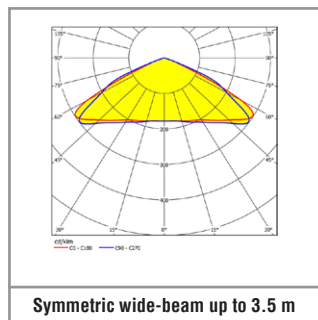
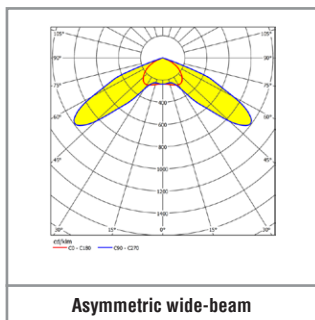
SICURO^{LED} CENTRAL SUPPLY

Sicuro230 Order code	Version	LED	Φ=	S~	P=
-------------------------	---------	-----	----	----	----

Surface wall mounting for escape route illumination or area illumination with 3 changeable lenses¹

31056	V2A, white	1	Escape route 248 lm	8.3VA / 4.1 W
			Area 3.5 m / 7 m 265 lm / 271 lm	
31057	V2A	1	Escape route 248 lm	8.3VA / 4.1 W
			Area 3.5 m / 7 m 265 lm / 271 lm	

¹ Please order additional required accessories for bollard separately.



Included in scope of delivery	
Order code	Description
-	Symmetrical wide-beam lens for mounting height 3.5 m
-	Symmetrical wide-beam lens for mounting height 7 m
-	Asymmetrical wide-beam lens

Please order accessories separately	
Order code	Description
F95940	Bollard for S230 and S24, stainless sheet steel, V2A, white (RAL 9010)
F95941	Bollard for S230 and S24, stainless sheet steel, V2A