



## PRATICA MODULA

**Escape sign and safety luminaire with high type of protection and high impact resistance.** Housing with angular contours and clear polycarbonate cover. Light guidance through white polycarbonate reflector. Installation through novel mounting adapter with integrated water level, which can also be used as junction box for all incoming and outgoing cables. The mounting adapter is only used for the connection to an integrated plug fixture as well as for accommodation of optional accessories. The actual luminaire can consequently be configured and (in battery operation) programmed comfortable on a work surface and only needs finally to be latched onto the mounting adapter with the integrated plug fixture.

Versions for surface wall and ceiling mounting and with additional accessories for recessed wall and ceiling mounting, bracket and chain/wire

### MOUNTING TYPES WITH ACCESSORIES

### MOUNTING TYPES



### TECHNICAL DATA

**Housing:** Polycarbonate, white (RAL 9003)  
**Cover:** Polycarbonate, transparent  
**Reflector:** Polycarbonate, white (RAL 9003)  
**Type of protection:** see table regarding type of protection (IP)  
**Service life  $L_{90}B_{20}$ :** 50.000 h  
**Color stability:** 3 SDCM

**Color temperature:** 4.000 K  
**Color rendering index:** 80  
**Bluetooth interface:** LIFE



**Commissioning:** For Autotest, operating duration 8h, operating mode PS, monitoring group and test duration are only programmable per app B.connect over smartphone locally on luminaire.

### SELF-CONTAINED SUPPLY

**Mains supply:** 198 V – 254 V/50 Hz  
**Switching:** Maintained and non-maintained  
**Ambient temperature:** without accessories: 0 °C to +40 °C  
 exchange battery with battery heater: -30 °C to +40 °C  
**Protection class:** II

### DECENTRAL SUPPLY

**Mains supply:** 24 V +/- 20 % DC  
**Battery supply:** 24 V +/- 20 % DC  
**Ambient temperature:** -20 °C to +40 °C  
**Protection class:** III with connection only to low voltage, II with additional connection to voltages above low voltage

### CENTRAL SUPPLY

**Mains supply:** 198 V – 254 V/50 Hz  
**Battery supply:** 176 V – 276 V  
**Ambient temperature:** -20 °C to +40 °C  
**Protection class:** II

Variant	
LIFE	250 lm
Sicuro24	1.500 lm
	400 lm
Sicuro230 <sup>®</sup>	800 lm
	1.100 lm
	1.500 lm

Autotest / CableCom Order code	Logica Order code	Logica FM Order code			$\Phi =$ 1 h	$\Phi =$ 3 h	$\Phi =$ 8 h		
Surface wall mounting (1-sided escape route indication / illumination), surface ceiling mounting (2-sided escape route indication / illumination) <sup>1</sup>									
18741	18741+15056 <sup>2</sup>	18741+15057 <sup>2</sup>	20 m	36	300 / 450 <sup>3</sup> lm	110 / 170 <sup>3</sup> lm	40 / 60 <sup>3</sup> lm	LIFE 3.2 V / 1.5 Ah	12.9 VA
18751	18751+15056 <sup>2</sup>	18751+15057 <sup>2</sup>	20 m	36	500 / 750 <sup>3</sup> lm	165 / 275 <sup>3</sup> lm	65 / 95 <sup>3</sup> lm	LIFE 3.2 V / 1.5 Ah	12.9 VA
18761	18761+15056 <sup>2</sup>	18761+15057 <sup>2</sup>	20 m	36	700 / 1.000 <sup>3</sup> lm	250 / 400 <sup>3</sup> lm	90 / 125 <sup>3</sup> lm	LIFE 3.2 V / 3 Ah	12.9 VA
18771	18771+15056 <sup>2</sup>	18771+15057 <sup>2</sup>	20 m	36	1.000 / 1.500 <sup>3</sup> lm	350 / 550 <sup>3</sup> lm	125 / 190 <sup>3</sup> lm	LIFE 3.2 V / 3 Ah	12.9 VA
18781	18781+15056 <sup>2</sup>	18781+15057 <sup>2</sup>	20 m	36	1.700 / 2.000 <sup>3</sup> lm	750 / 900 <sup>3</sup> lm	300 / 350 <sup>3</sup> lm	2x LIFE 3.2 V / 3 Ah	16.6 VA

**SICURO** DECENTRAL SUPPLY

Sicuro24 Order code			$\Phi =$	$P =$
Surface wall mounting (1-sided escape route indication / illumination), surface ceiling mounting (2-sided escape route indication / illumination) <sup>1</sup>				
17920+15059 <sup>4</sup>	20 m	36	750 lm 1.500 lm	9 W 13 W

**SICURO** CENTRAL SUPPLY

Sicuro230 Order code			$\Phi =$	$S \sim$	$P =$
Surface wall mounting (1-sided escape route indication / illumination), surface ceiling mounting (2-sided escape route indication / illumination) <sup>1</sup> , with single monitoring (EÜ)					
17920+15060 <sup>5</sup>	20 m	36	400 lm	10.4 VA / 5.9 W	
			800 lm	13.9 VA / 7.9 W	
			1.100 lm	17.4 VA / 9.9 W	
			1.500 lm	22.6 VA / 12.9 W	
Surface wall mounting (1-sided escape route indication / illumination), surface ceiling mounting (2-sided escape route indication / illumination) <sup>1</sup> , with circuit monitoring (SÜ)					
17920 <sup>6</sup>	20 m	36	400 lm	7.7 VA / 4.4 W	
			800 lm	11.2 VA / 6.4 W	
			1.100 lm	14.7 VA / 8.4 W	
			1.500 lm	20 VA / 11.4 W	

<sup>1</sup> Please order additional required accessories for recessed wall and ceiling mounting, bracket and chain/wire separately.

<sup>2</sup> Please order Logica interface (15056) and Logica FM interface (15057) separately.

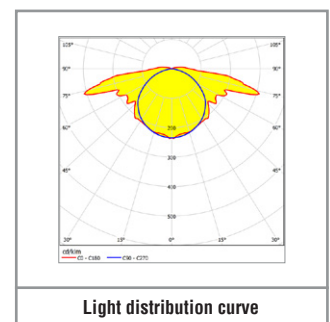
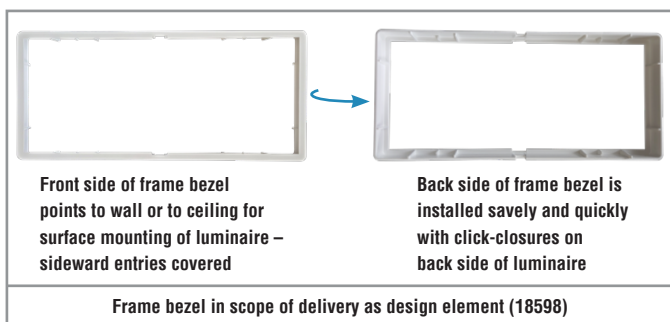
<sup>3</sup> Light flux with subsidiary battery. Please order subsidiary battery separately.

<sup>4</sup> Please order S24 conversion set with high mounting adapter (15059) separately. Light flux/power programmable over S24 station.

<sup>5</sup> Please order S230 conversion set with high mounting adapter (15060) separately. Light flux/power adjustable over DIP switches on luminaire.

<sup>6</sup> Light flux/power adjustable over DIP switches on luminaire.

<sup>7</sup> Only with use of back entries with respective gaskets (M16).

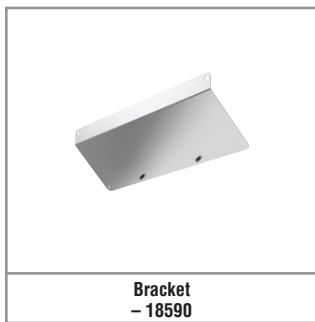


TYPE OF PROTECTION (IP)

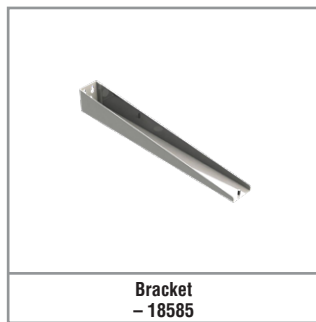
achieved type of protection	used mounting adapter	accomplished installation without accessories
IP40	flat	sideward breakable entries (2x 15x7 mm and 2x 15x10 mm) used
IP40	flat	backward drillable entries (2x max. 10 mm Ø) used
IP65	flat	backward entries (2x M16) with respective gaskets used
IP65	high	sideward entries (6x M20) or backward entries (2x M20) with respective cable glands used
achieved type of protection	used mounting adapter	accomplished installation with accessories
IP20 <sup>7</sup>	flat	4319
IP65 <sup>7</sup>	flat	3723 / 18590 / 18585 / 18587 / 18580 / 18586
IP65	high	3723 / 18590 / 18597 / 18580 together with 18599 / 18586 / 15059 / 15060
achieved type of protection	used mounting adapter	accomplished installation with escape sign accessories
IP65 <sup>7</sup>	flat	18595, 18594, 18593, 18596 / 18583, 18581, 18582 / 4129, 4127, 4128
IP65	high	18595, 18594, 18593, 18596 / 18583, 18581, 18582 / 4129, 4127, 4128



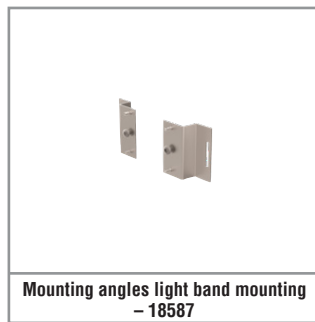
Lug set chain / wire  
- 3723



Bracket  
- 18590



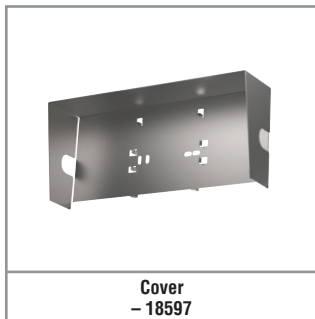
Bracket  
- 18585



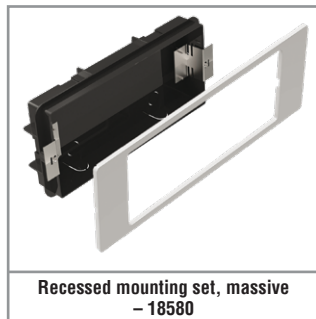
Mounting angles light band mounting  
- 18587



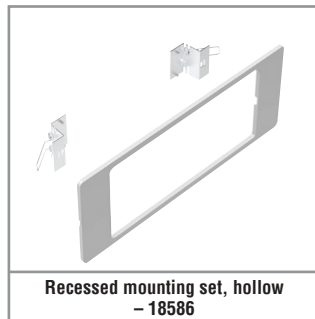
Adapter light band mounting  
- 4319



Cover  
- 18597



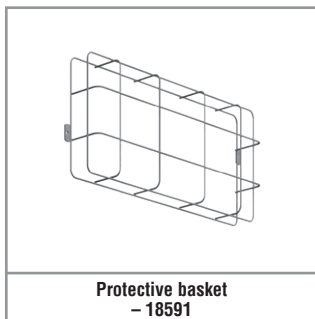
Recessed mounting set, massive  
- 18580



Recessed mounting set, hollow  
- 18586



Logica / Logica FM / DALI interface  
- 15056, 15057, 15058



Protective basket  
- 18591



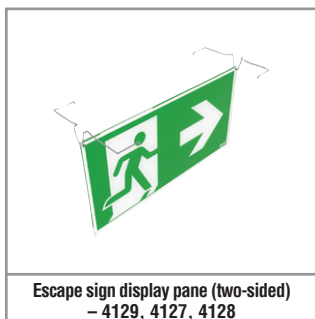
S24 / S230 conversion set  
- 15059, 15060



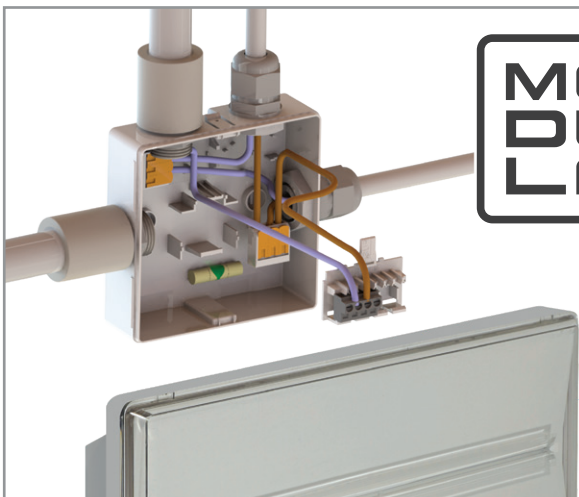
Escape sign cover (one-sided)  
- 18595, 18594, 18593, 18596



Escape sign cover (two-sided)  
- 18583, 18581, 18582



Escape sign display pane (two-sided)  
- 4129, 4127, 4128



**THE HIGH MOUNTING ADAPTER FROM THE SCOPE OF DELIVERY IS COMPATIBLE WITH ALL LUMINAIRES OF THE MODULA SERIES AND WAS DEVELOPED FOR THE ON-FINERY MOUNTING**

THE INSTALLATION TIMES ARE REDUCED BY MORE THAN 50 % PER LUMINAIRE!

Thanks to the MODULA system, the internal wiring and all settings are enormously simplified and accelerated. A variety of entries ensures highest flexibility regarding the cable laying. Through additional plug terminals, all wires can be bundled and routed to the preinstalled terminal block. Integrated water level.

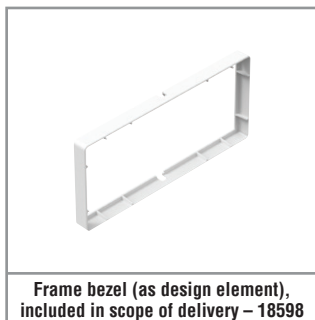




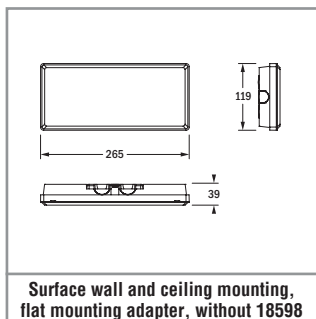
Set of escape sign foils, included in scope of delivery – 18584



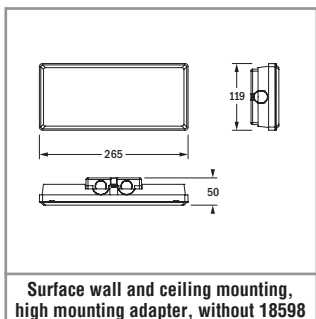
Set flat / high mounting adapter, included in scope of delivery – 18589



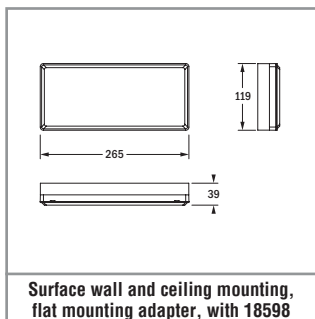
Frame bezel (as design element), included in scope of delivery – 18598



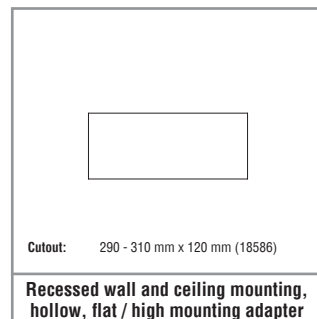
Surface wall and ceiling mounting, flat mounting adapter, without 18598



Surface wall and ceiling mounting, high mounting adapter, without 18598



Surface wall and ceiling mounting, flat mounting adapter, with 18598



Recessed wall and ceiling mounting, hollow, flat / high mounting adapter

Included in scope of delivery		
Order code		Description
VD 20 m	VD 26 m	
18584	-	Set of escape sign foils
18589	18589	Set with flat and high mounting adapter
18598	18598	Frame bezel, polycarbonate, white (as design element)

Please order escape sign accessories separately		
Order code		Description
VD 20 m	VD 26 m	
18595	-	Escape sign cover (one-sided)
18594	-	Escape sign cover (one-sided)
18593	-	Escape sign cover (one-sided)
18596	-	Escape sign cover (one-sided)
-	18583	Escape sign cover (two-sided)
-	18581	Escape sign cover (two-sided)
-	18582	Escape sign cover (two-sided)
	4129	Escape sign display pane (two-sided)
	4127	Escape sign display pane (two-sided)
	4128	Escape sign display pane (two-sided)

Please order accessories separately		
Order code		Description
EW 20 m	EW 26 m	
3723	3723	Lug set for chain and wire mounting
18590	-	Bracket, sheet steel, galvanized, white, 45° luminaire tilt, not adjustable, only for illumination
18585	18585	Bracket, sheet steel, galvanized, white, for escape route indication and illumination
18587	18587	Mounting angles for light band mounting
4319	4319	Adapter (electrical) for light band mounting, 3-phase
18597	-	Cover, stainless sheet steel, for wall mounting with installation in exterior area as additional protection against rain
18580	18580	IP42 recessed mounting set for massive walls and massive ceilings (concrete-cast housing), including frame bezel, white (overpaintable), only for flat mounting adapter
18599	18599	IP65 upgrade set for 18580, including frame bezel, white (overpaintable), only for high mounting adapter
18586	18586	Recessed mounting set for hollow walls and hollow ceilings, including frame bezel, white (overpaintable)
15056	15056	Logica interface, only for LIFE
15057	15057	Logica FM interface, only for LIFE
15058	15058	DALI interface, only for LIFE (for connection to DALI central of the general and safety lighting)
18591	-	Protective basket (only for surface wall or ceiling mounting without two-sided escape sign cover / escape sign display pane)
15059	15059	S24 conversion set with high mounting adapter, only for S24
15060	15060	S230 conversion set with high mounting adapter, only for S230
RA11	RA11	Subsidiary battery LIFE 3.2 V / 1.5 Ah for 18741 und 18751
15078	15078	Exchange battery LIFE 3.2 V / 3 Ah with battery heater for 18741 and 18751, installation: -30 °C to +40 °C