

# CATALOGUE

safety

lighting

2024





# LIGHT IS SAFETY

True to this motto, **Beghelli PRÄZISA Deutschland** has been a competent partner worldwide for more than three decades for specialist planners, expert companies, industries, trade and commerce. We develop, manufacture and distribute **safety lighting** as well as **interior and exterior lighting**.

Important criteria for the design of our products are the **preservation of resources** and the **protection of the environment**. This is done through products with **high efficiency**

and simple operation. This reduces the costs of mounting, installation and operation. The latter through lower **energy consumption and longer service life**. Our standards for general and safety lighting are very high.

We are constantly developing new functions and designs of innovative lighting concepts. This way we do not just provide safety through lighting, but also stage buildings and public spaces.



## RELIABLE

For lighting control and monitoring, we have been relying on wireless communication according to the Zigbee® standard for more than 15 years. This allows optimal management of indoor and outdoor lightings. The standard is particularly advantageous for construction of new lightings as well as the renovation of existing lightings.



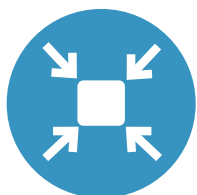
## SUSTAINABLE

Our concepts Smart Lighting and Sicuro Safety Lighting are extremely efficient. Luminaire power is reduced up to 75%, luminaire quantity up to 40%. Assembly and maintenance are easy. This saves energy and protects the environment.



## INNOVATIVE

Our products of the latest generation are equipped with long-lasting LIFE batteries (Lithium-Ferro-Phosphate). We provide a guarantee of 10 years on the variant „LIFE“ with an operating temperature range of 0 °C to +40 °C and a guarantee of 5 years on the variant „LIFE ECO“ with an operating temperature range of 0 °C to +40 °C.



## COMPACT

Pratica Modula is a variable escape sign and safety luminaire. The on-finery or under-finery installation is carried out over novel mounting adapters with integrated water level. The mounting adapters, which can also be used as junction boxes for all incoming and outgoing cables, are only used for the connection to an integrated plug fixture as well as for accommodation of optional conversion sets, interfaces and subsidiary batteries. The actual luminaire can consequently be configured and (in battery operation) programmed comfortable on a work surface and only needs finally to be latched onto the mounting adapter with the integrated plug fixture.



## VARIABLE

Pratica Modula Matrix is a multifunctional safety luminaire which offers the same properties as the luminaire Pratica Modula regarding the installation. The light distribution takes place variable through desired setting of a LED matrix (in 4 LED groups), which is equipped with special lenses. Overall 4 light distributions are at choice for 5 different applications.




































































	Page
Modern software & cloud solutions	8 – 13
Pratica Modula – many solutions in a single luminaire	14 – 17
Variants with self-contained supply	18 – 19
LIFE Safety Lighting – LIFE & LIFE ECO <i>Innovative self-contained supply with guarantee</i>	20 – 21
Decentral & central test devices in overview	22 – 25
Variants for decentral & central supply	26 – 27
Sicuro Safety Lighting – Sicuro230 & Sicuro24 <i>Innovative central &amp; decentral supply</i>	28 – 29
Decentral test device Autotest for self-contained supply	30 – 31
Central test device CableCom for self-contained supply	32 – 35
Central test devices Logica S & Logica Z for self-contained supply	36 – 39
Central test device Logica FM for self-contained supply	40 – 43
Accessories for central test devices, software, cloud	44 – 49

TEST DEVICES


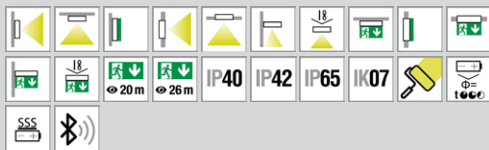


























ESCAPE SIGN LUMINAIRES

	Page	Battery guarantee on self-contained supply	Mounting type / Viewing distance / Type of protection / Impact resistance / Special properties
<b>Plexi LED</b> 	50 – 51	10 YEARS GUARANTEE	  IP20 IK03
<b>Dispos EVO</b> 	52 – 53	10 YEARS GUARANTEE 5 YEARS GUARANTEE	  IP40 IK05 V2A
<b>Piana LED</b> 	54 – 55	10 YEARS GUARANTEE	  IP40 IK05
<b>Maxima</b> 	56 – 57	10 YEARS GUARANTEE 5 YEARS GUARANTEE	  IP54 IK05
<b>Quader</b> 	58 – 59	10 YEARS GUARANTEE	  IP42 IK03
<b>Iron Flag</b> 	60 – 61	10 YEARS GUARANTEE	  IP42 IK05
<b>Iron Flag 65</b> 	62 – 63	10 YEARS GUARANTEE 5 YEARS GUARANTEE	  IP65 IK05

**SAFETY  
LUMINAIRES**







	Page	Mounting type / Viewing distance / Type of protection / Impact resistance / Special properties
<b>Pluraluce</b> 	64 – 67  	  
<b>Lumax</b> 	68 – 69 	  
<b>Lumax65</b> 	70 – 71 	  
<b>Acciaio High</b> 	72 – 73	  
<b>LLL Extreme</b> 	74 – 77 	  
<b>S-In</b> 	78 – 79	  
<b>Triangle</b> 	80 – 81 	  
<b>F30 / F50 / F70 LED</b> 	82 – 83 	  
<b>UP LED M</b> 	84 – 85 	  
<b>UP LED C</b> 	86 – 87 	  
<b>Infinita LED X5</b> 	88 – 91 	  
<b>DOT</b> 	92 – 95  	  
<b>Pratica Modula Matrix</b> 	96 – 99 	  

VARIABLE  
ESCAPE SIGN AND  
SAFETY LUMINAIRES

	Page	Mounting type / Viewing distance / Type of protection / Impact resistance / Special properties
<b>Pratica Modula</b> 	100 – 103	
		
<b>Kubus</b> 	104 – 107	
		
<b>Kubus65</b> 	108 – 109	
		
<b>Alu-K</b> 	110 – 113	
		
<b>Acciaio EM</b> 	114 – 115	
	 	
<b>Formula65</b> 	116 – 119	
		
<b>Aestetica</b> 	120 – 121	
<b>Infinita LED RTI</b> 	122 – 123	
		
<b>Kubus M</b> 	124 – 125	
<b>Tula</b> 	126 – 129	

COMBINED ESCAPE  
SIGN AND SAFETY  
LUMINAIRES




















COMBINED  
SAFETY SIGN AND  
SAFETY LUMINAIRES

	Page	Mounting type / Viewing distance / Type of protection / Impact resistance / Special properties
<b>Sign LED</b> 	130 – 131 <b>10 YEARS GUARANTEE</b>	  26 m   

MOBILE SAFETY  
LUMINAIRES

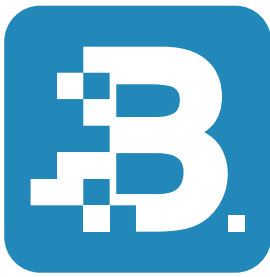
<b>Scout LED</b> 	132 – 133	 
---	-----------	--

SUPPLY DEVICES  
AND  
SUPPLY MODULES

<b>Pluraluce Module</b> 	134 – 135 <b>10 YEARS GUARANTEE</b>	  
<b>NVG</b> 	136 – 137	      
<b>Inverter Module</b> 	138 – 139 <b>5 YEARS GUARANTEE</b>	     



	Page
<b>Order code index</b>	140 – 143
<b>Symbols &amp; abbreviations</b>	144 – 145
<b>Notes</b>	146 – 152
<b>Disclaimer, guarantee conditions</b>	153



## B.CONNECT - THE BEGHELLI APP FOR ADMINISTRATION OF TEST DEVICES AND EQUIPMENT, LOCAL OR THROUGH REMOTE ACCESS

# B.connect



B.connect is the app for the local access to the equipment of many Beghelli systems.

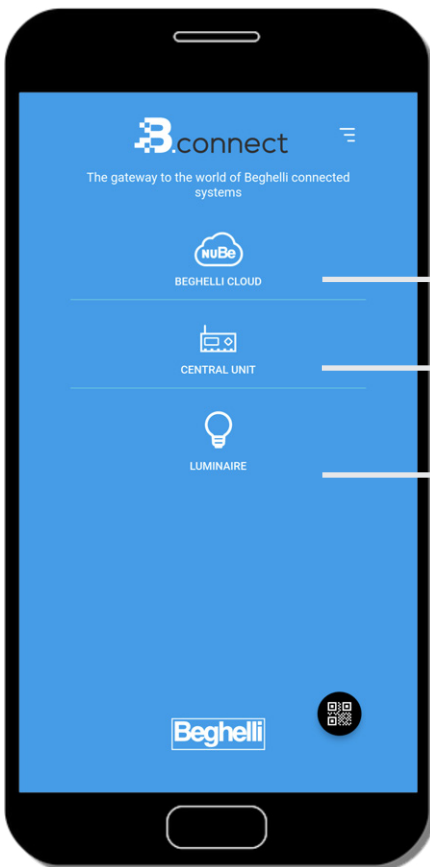
It is available to all installers and other users and enables it directly to access luminaires of the safety lighting with self-contained supply over an optical interface (unidirectional) per flashlight of the smartphone camera or over Bluetooth®. For an indirect access, various central test devices can be connected over LAN and WLAN with the smartphone in order to reach the luminaires of the safety lighting with self-contained supply over the respectively used cable or radio bus of the test device. QR codes attached to central test devices are simplifying their adding into the app. A variety of functions are available for monitoring and control. B.connect offers furthermore a direct connection to NuBe, whereby the advantages of the app merge with the advantages of the cloud to build a common unit in perfect cooperation. B.connect supports automatic test devices for self-contained supply. The app is available for free.



## MAXIMUM DATA SECURITY



...the connection to the equipment is secure and password-protected.



### Access to the added central test device through change in the cloud NuBe.

All programming made with B.connect as well as saved test book entries are transferred in NuBe by a synchronization procedure and are then immediately available.

### Indirect access to the read-in equipment of the added central test device through communication over LAN and WLAN with the test device.

B.connect is designed for a quick adding of compatible central test devices through the use of QR codes. The serial number (ID) and simultaneously the type of the test device are recognized at it. After the adding of the test device, all essential functions are already available for a further proceeding. A local network is here sufficient for a solely function of B.connect, even without internet. Depending on the type of test device, the network can be configured either in mode STA or AP regarding WLAN.

### Direct access to the read-in equipment of the added central test device as well as to the equipment of systems without central test device through communication over an optical interface or Bluetooth® with the respective equipment.

B.connect uses the flashlight of the smartphone camera as an optical interface (unidirectional). A patented communication technology, which is based on the emission of light impulses that equipment equipped with an intelligent photo sensor can pick up and understand. In this way, any functions can be transferred with just one „tool“ - the smartphone.

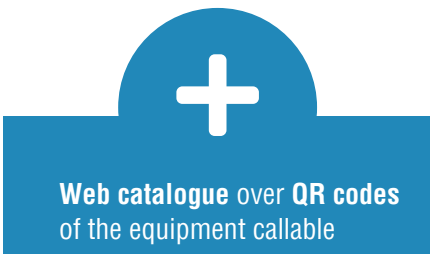
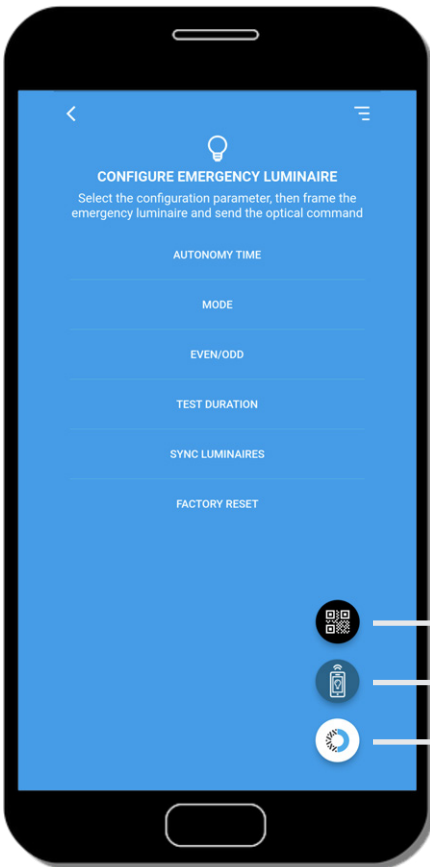


The **smartphone** becomes the **programming device**



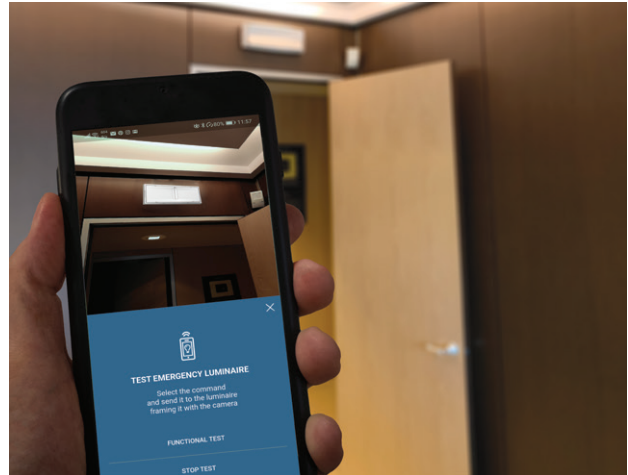
## Information - quick and specific

Beside the central test devices, also luminaires and other equipment is labelled with a QR code. This enables the call-up of content of our web catalogue. Product designations, updated instructions in PDF format and respective order codes for the particular equipment as well as for available spare parts are making the work on the system enormously easier - quite without any paper.



## Test procedures - selective and uncomplicated

Among other things, it is possible with B.connect to execute function and duration tests. The commands are either transmitted directly from the smartphone to the equipment or indirectly over a test device that may be present.

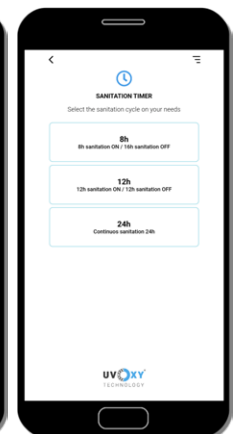
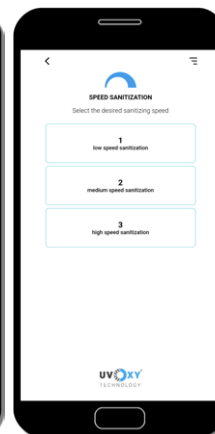


Flashlight of the smartphone camera for optical communication with equipment, which features an intelligent photo sensor - example: luminaire.



## Room air cleaning - hygiene new imagined

Various luminaires, hybrid devices for room air cleaning from the SanificaAria series, are also equipped with an intelligent photo sensor. Beside the configuration of the illumination, there is the possibility to configure the cleaning parameters as well. The disinfection process can be activated or deactivated. The fan speed for generating the air flow through the uvOxy® disinfection cell is adjustable and disinfection times can be individually adjusted depending on room use and environment conditions.





# BEGHELLI CLOUD

## NUBE - THE BEGHELLI CLOUD THE RIGHT PLACE FOR YOUR SYSTEMS



NuBe is the cloud for the access and the administration of many Beghelli systems.



It is available to all installers and other users and enables it to keep the safety lighting in overview. A variety of functions are available for monitoring and control. With regard to many issues, this saves you visiting the respective system on site and thus effort, time and money. NuBe offers furthermore a direct connection to B.connect, whereby the advantages of the cloud merge with the advantages of the app to build a common unit in perfect cooperation. NuBe supports central automatic test devices for self-contained supply. The cloud is available for free in the Basic version or for a fee in the Professional version. The latter makes it possible to further expand the already numerous possibilities of NuBe, such as with a function that can order maintenance interventions on the system through the user to avoid malfunctions.

## MAXIMUM DATA SECURITY AND AVAILABILITY

.....we guarantee that! Not only with, but also without connection to the cloud.



All equipment of Beghelli is connecting in secure mode to NuBe using an end-to-end encryption that meets high safety standards. After authenticating yourself with your access data, you can navigate in NuBe in compliance with the latest safety protocols. This is done with real-time evidence of occurred resp. not rectified malfunctions. For ongoing operation without connection to the cloud, the automatic test devices are independently collecting data of the luminaires, supply modules and supply devices. The upload of the local data to NuBe is done as soon as the internet connection is restored.

## NUBE PRO - EXTENDED FUNCTIONS IN OVERVIEW

The version NuBe PRO extends the functions of the Basic version...

The quantity of administrable automatic test devices and thus the quantity of luminaires, supply modules and supply devices is no longer limited here. Through the upgrade to NuBe PRO it is possible to get access to enhanced functions such as the insertion of luminaires on photos or in plans of the rooms. There is furthermore an unlimited memory available regarding the test book and a functionality for predictive maintenance, which is able to anticipate malfunctions and to propose the necessary interventions for prevention of these malfunctions for future maintenance procedures. This elevates system integrity to a whole new level of safety with strong potential for an easement of the customers of our cloud NuBe PRO.

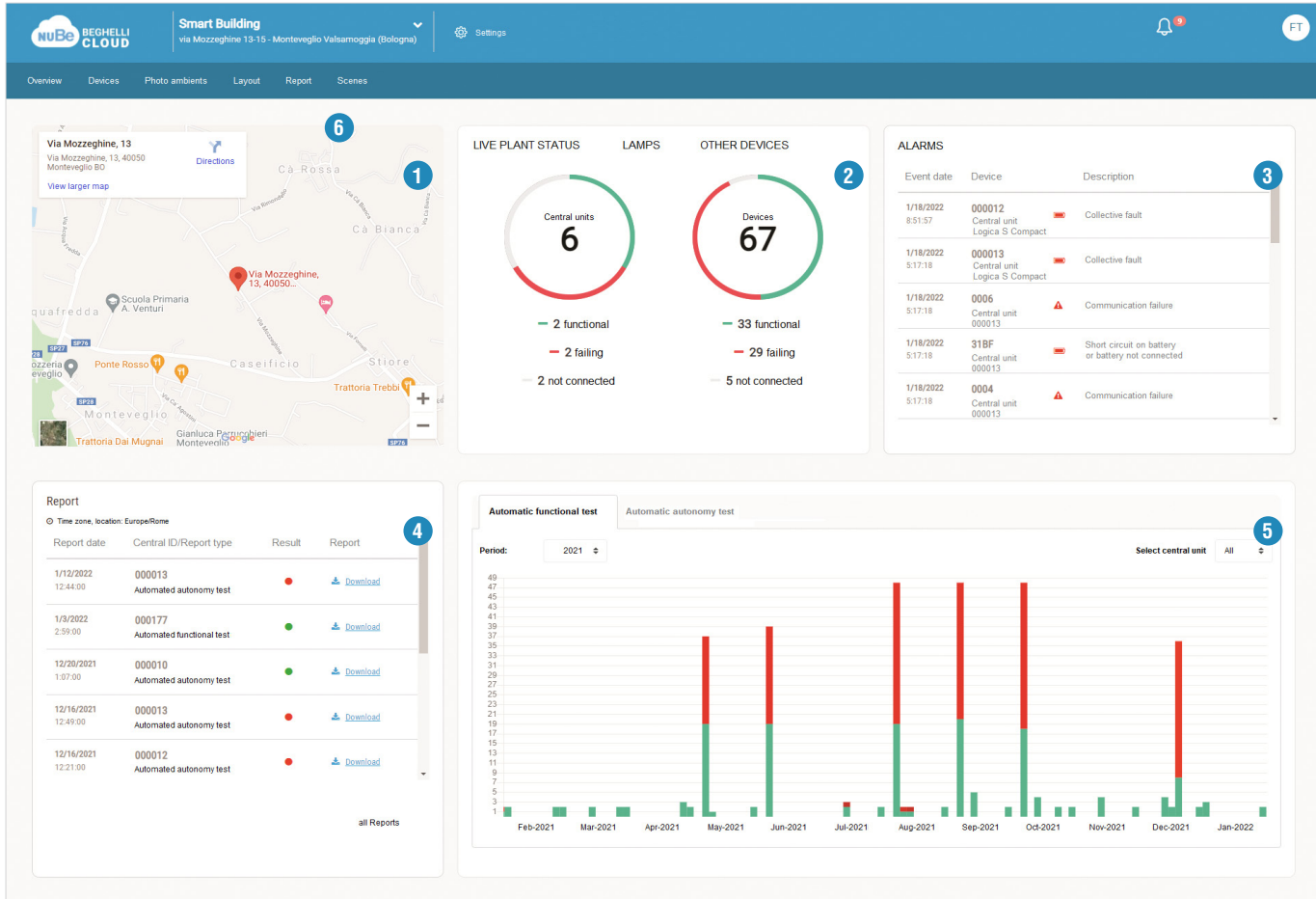
	Max. quantity of luminaires / supply devices / supply modules per system	Multi system management	Type and max. quantity of test devices per system <sup>1</sup>	Storage capacity of test book	Predictive maintenance	Room photo management	Planimetry management	Spare part management
<b>NuBe</b> (Basic)	256		8x CableCom Connect (20151) or alternatively 2x Logica S Connect (12100C) or alternatively 1x Logica FM (21102)	12 months				
<b>NuBe PRO</b> (Professional)	no limitation	<input checked="" type="checkbox"/>	No limitation of the quantity of: CableCom Connect (20151) Logica S Connect (12100C) Logica FM (21102)	no limitation	<input checked="" type="checkbox"/>	<input checked="" type="checkbox"/>	<input checked="" type="checkbox"/>	<input checked="" type="checkbox"/>

<sup>1</sup> Compatibility of test device with software resp. cloud must be considered - see page for software resp. cloud.

# SMART DASHBOARD FOR MONITORING OF THE SYSTEM STATUS

This is the overview tab of NuBe.

It is possible here to monitor the structure and the status of the system in realtime. This is done using quick query widgets, which show the system location on a map and list the results of the function and duration tests as well as the current failures of all luminaires, supply modules and supply devices. The operation is intuitive thanks to the graphical user interface. Through it, the quantity of present test devices and the quantity of present luminaires, supply modules and supply devices are highlighted. A differentiation takes place into functioning, failing and not reachable equipment with respective quantification. All failures are plainly highlighted for quick problem solving. Adaptable diagrams are showing detailed information about the already executed automatic and manual tests.



## 1 System description with location

Precise positioning of the system through geolocation on dynamic map.

## 2 System condition

Graphical user interface with dynamic acting elements zur highlighting of failures.

## 3 Listing of the current failures

With type of failure and addresses for unique identification of the equipment. The mounting location of the equipment can be determined through respective navigation.

## 4 Test book

Compact listing of all function and duration tests with possibility for download. Binary evaluation of the tests with focus on collective fault.

## 5 Results of automatic tests

A block diagram compares all selected tests according to the setting (for example: monthly / yearly).

## 6 Navigation bar

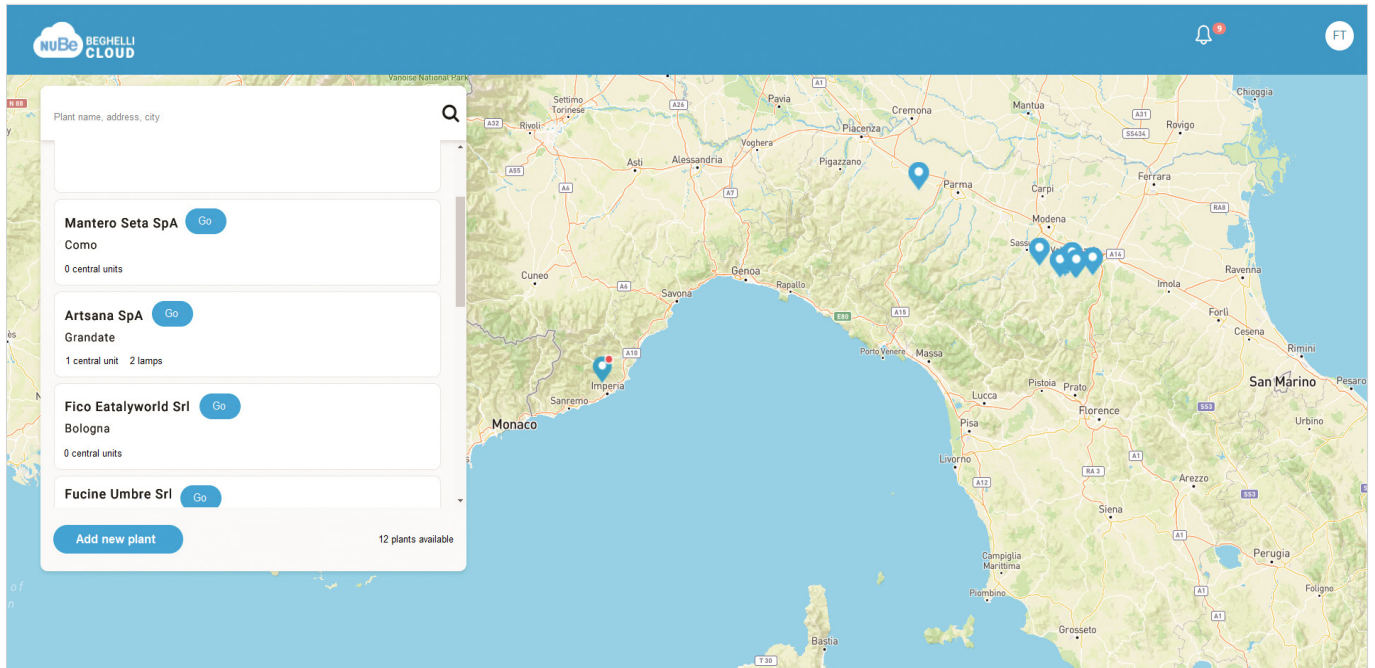
Change between overview, automatic test systems, rooms, buildings, test results and scenarios.



The cloud solution enables the **access and the administration of all systems under supervision - worldwide**

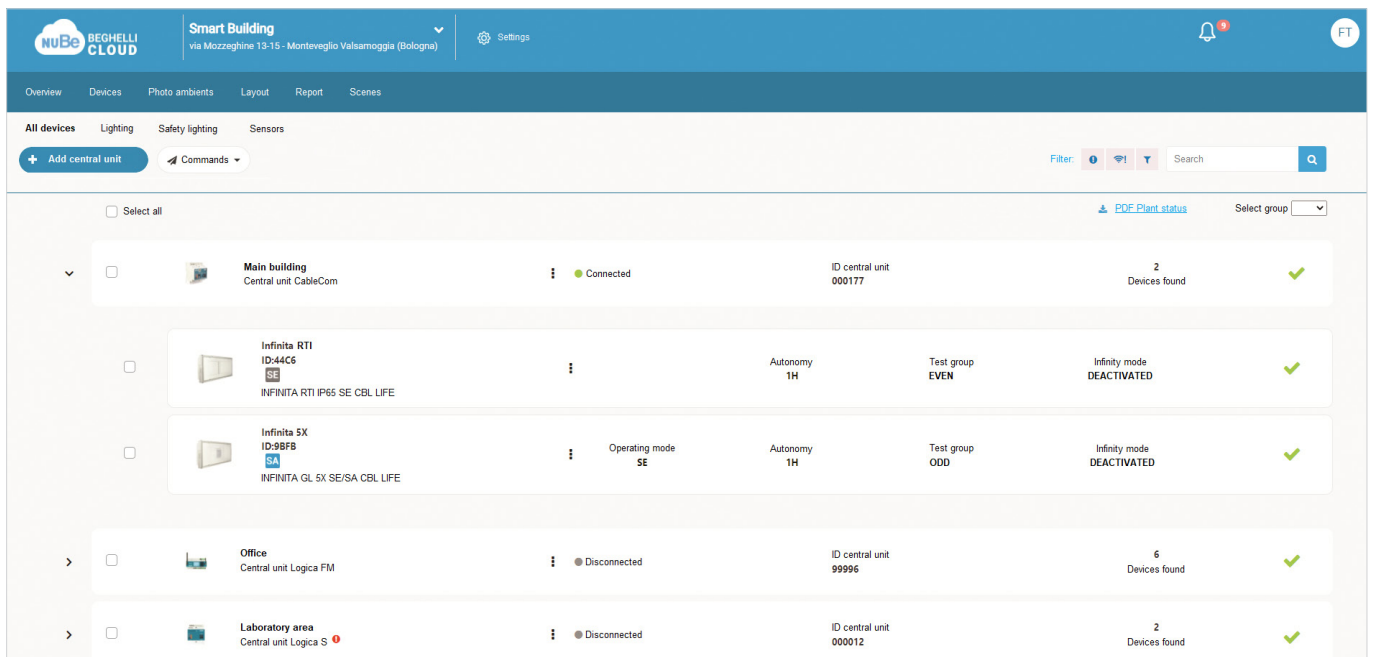
**Cooperation mode:** NuBe offers a connection to B.connect for the perfect cooperation of both solutions

# EXTENDED FUNCTIONS OF NUBE PRO



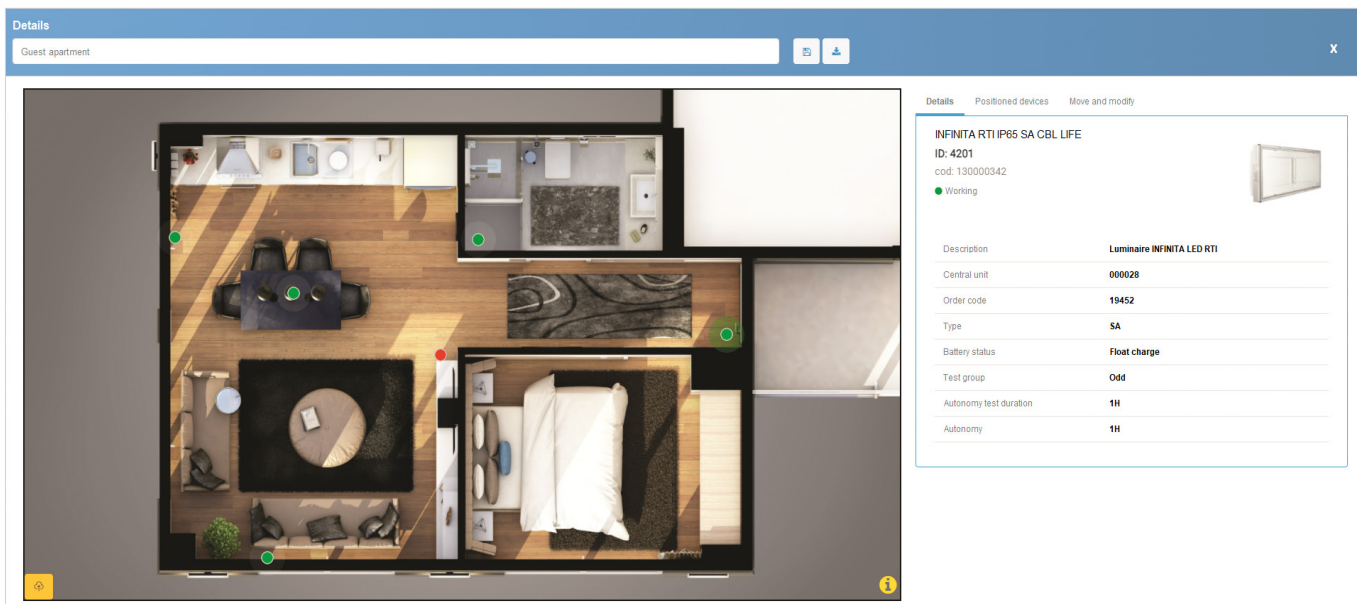
## GLOBAL OVERVIEW OF ALL SYSTEMS

For the monitoring of several systems, a global indication with the positioning of the systems at the respective location can be generated. Systems with failures are particularly highlighted on the indicated map. In the overview tab, all systems can be found bundled in real time, divided into failurefree and not failurefree.



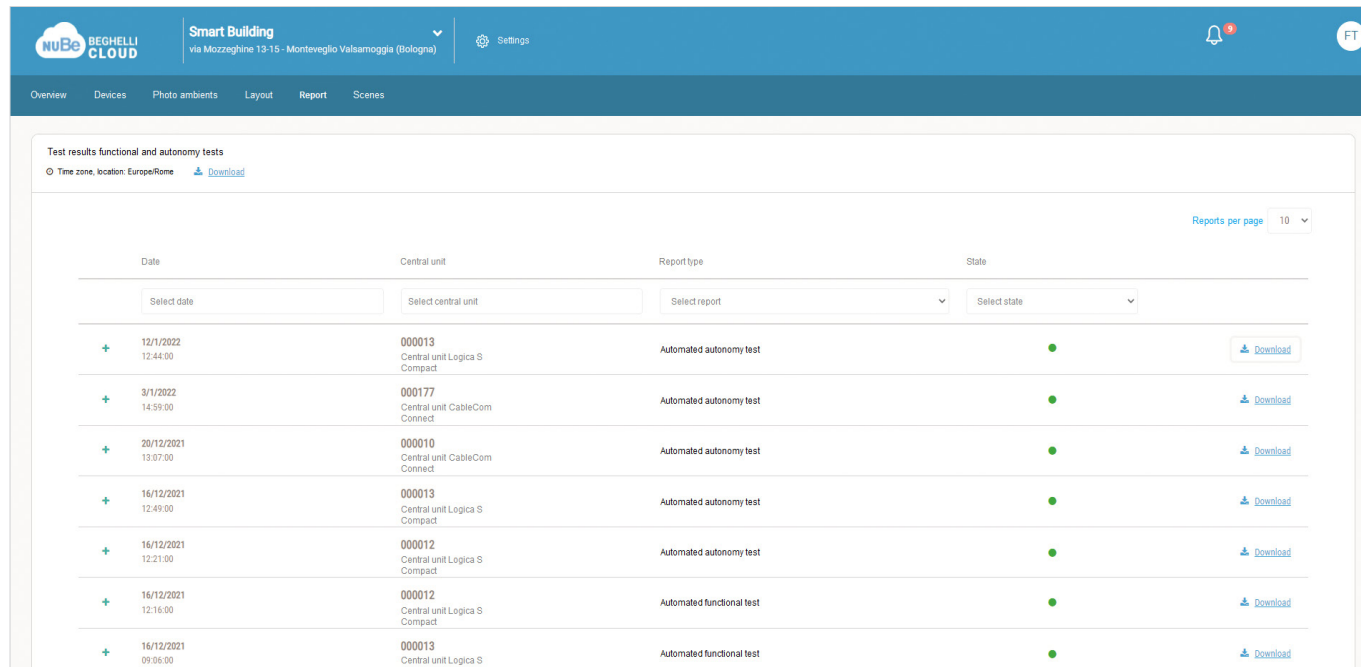
## A CLOUD FOR COMBINATION OF DIFFERENT TEST DEVICES IN ONE SYSTEM

It is possible to combine several different test devices in systems, which enables maximum freedom and expandability without restrictions regarding the implemented field technology of the test devices. The available commands and parameters can be sent per remote access either to all compatible equipment or only to selected equipment. Precisely through selective test commands on single equipment maintenance procedures are greatly simplified. The associated test devices and their luminaires, supply devices and supply modules are indicated in a classic tree view. Each data set shows the essential information about the respective equipment. It is furthermore possible to extend the selected data set to get the complete technical information in a structured view. Additional documentation (for example: the installation instruction of a luminaire) in PDF format can be downloaded here and order codes of suitable spare parts are indicated. Every equipment can be individually designated with a description stored directly in the cloud.



## POSITIONING OF EQUIPMENT ON BUILDING PLANS OR ON PHOTOS OF ROOMS

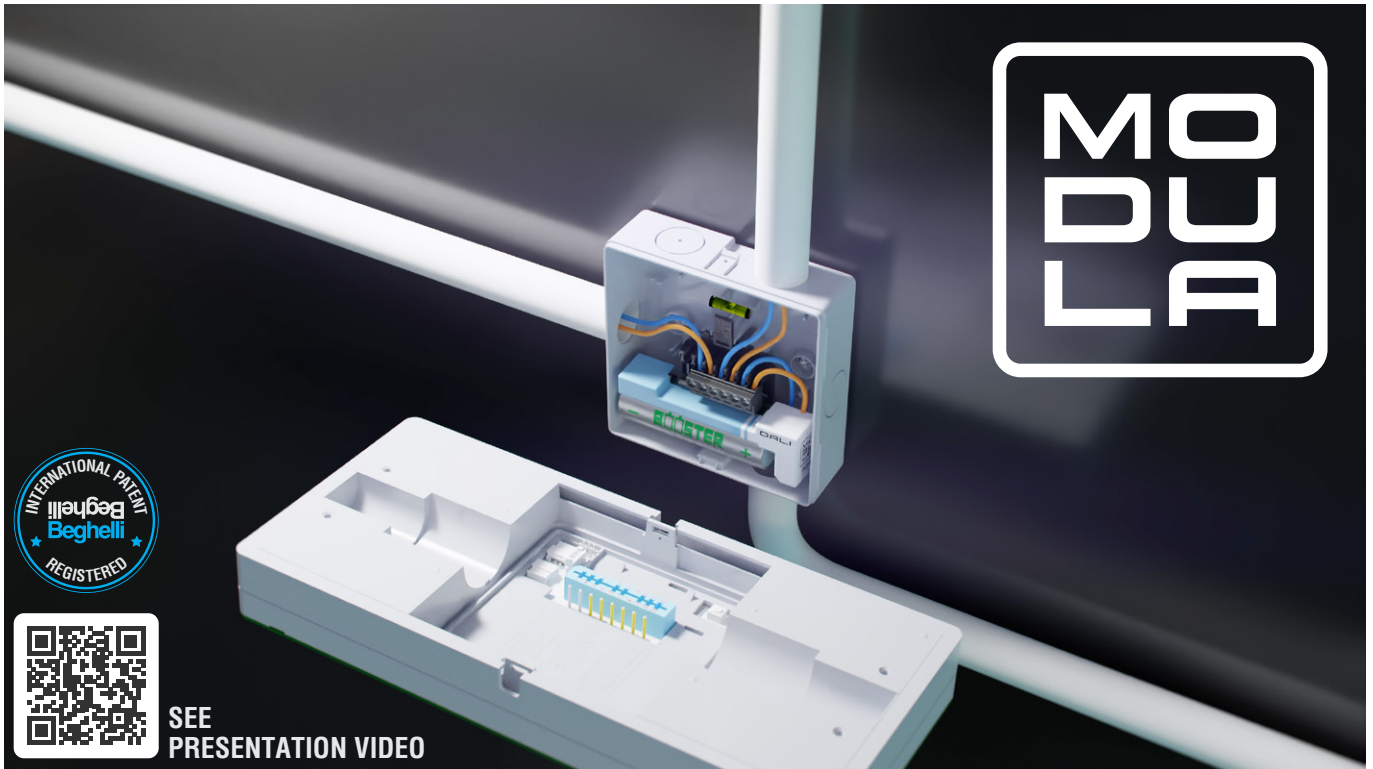
Quick positioning of luminaires, supply devices and supply modules on building plans or on photos of rooms. The files required for this can be deposited in JPEG format directly in NuBe through a simple operation per drag&drop. Between failure-free and not failure-free equipment is distinguished by colour (green and red). Through selection of a positioned equipment, all technical information as well as deposited statements of location and any failures are indicated. This leads to a quick identification and greatly simplifies the failure rectification. Each system can be administrated with different building plans and photos to get a divided view of the system and thereby avoiding one single complex plan. The operation on building plans or on photos is always relieved through features like zoom-in, zoom-out, drag&drop as well as filter functions.



## TEST REPORTS AND DOCUMENTATION

Every automatic function and duration test generates a stored test result, which is directly visible in the cloud or can be downloaded in PDF format. NuBe ensures the automatic archiving of the generated test results, enables an Anpassung by insertion of maintenance hints and proposes possible solutions for found failures. Every stored test result is processed. If failures are present, they can be reported immediately per e-mail to the responsible installer or system manager. It is possible to download the status of the system in PDF format at any time. The document is personalized with logos and additional information to be in accordance with DIN EN 50172 (test book).

## PRATICA MODULA - THE ADVANTAGES OF AN INTEGRATED MOUNTING ADAPTER



### DEVELOPMENT OF A NEW INSTALLATION CONCEPT

The use of luminaires from the MODULA series brings with it a significant simplification of the work procedure and thus leads to a considerable shortening of the required installation time with respective cost reduction. The possibility to be able to renounce conventional junction sockets stood in the center stage for the development of a whole new installation method - preventing conventional junction sockets and exchanging them by mounting adapters in two variants. Both mounting adapters offer many space for the entry of incoming and outgoing cables as well as their wiring. If required, the terminal block of the mounting adapters can be removed for a wiring without barriers. Precisely this property makes through wiring imaginably easy. Maintenance procedures have also been optimized - All luminaires can be latched out from the mounting adapter and are afterwards freely accessible.

### TWO LUMINAIRES FOR DIFFERENT APPLICATIONS - WITH SAME MOUNTING ADAPTERS



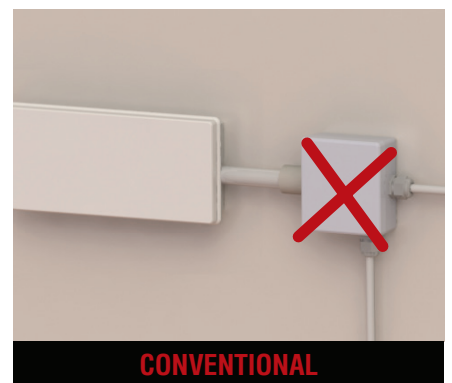
**PRATICA MODULA**

Variable escape sign and safety luminaire. Suitable for escape route and area illumination as well as for escape route indication. 4 escape sign foils in scope of delivery. Many accessories for escape route indication. Versions for self-contained supply (LIFE) with up to 2.000 lm light flux in battery operation (1 h) through subsidiary battery.

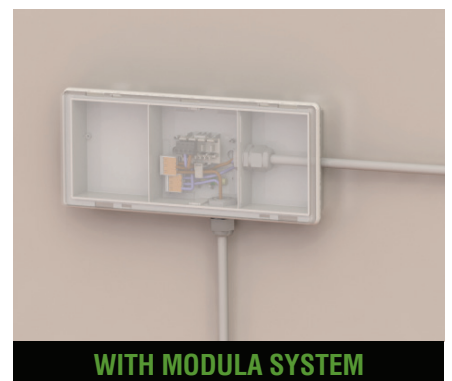


**PRATICA MODULA MATRIX**

Multifunctional safety luminaire with adjustable LED matrix (24 LEDs) in 4 different LED groups, local or per remote access. Suitable for escape route and area illumination. Versions for self-contained supply (LIFE) with up to 2.700 lm ideational light flux in battery operation (1 h).



**CONVENTIONAL**



**WITH MODULA SYSTEM**

### INSTALLATIONS IN IP65, IP42 AND IP40 THROUGH INTEGRATED MOUNTING ADAPTER

The series Pratica Modula is delivered with a flat and a high mounting adapter. Both mounting adapters serve as junction socket for wiring of the incoming and outgoing cables - the choice of the cable entries on the mounting adapter determines the type of protection (IP).

### UP TO 50 % REDUCED INSTALLATION TIMES PER LUMINAIRE

Thanks to the MODULA system, the internal wiring and all settings are enormously simplified and accelerated. The work steps for this take place on the mounting adapter and on the backside of the luminaire - both components are finally only latched into each other.

### MANY CABLE ENTRIES

The flat mounting adapter is capable of 2 backward entries with gasket (M16), 2 backward drillable entries (max. 10 mm Ø) and 4 sideward breakable entries (2x 15x7 and 2x 15x10 mm). The high mounting adapter is capable of 2 backward and 6 sideward entries (M20) for cable glands - ideal for a on-finery installation in IP65.

### QUICK MAINTENANCE, WITHOUT OPENING THE LUMINAIRE

Through a simple off-latching on the closing system, mounting adapter and luminaire are separated again from each other - this enables a maintenance of the luminaire, which can happen comfortable on a work surface.

### PERFECT ALIGNMENT THROUGH INTEGRATED WATER LEVEL

Included in both in the flat and in the high mounting adapter, this element offers right from the beginning of the installation a perfect comfort regarding the fastening - easy, quick and always straight.

### REMOVABLE TERMINAL BLOCK FOR WIRING COMFORT

The usable space can be expanded through the temporary removal of the terminal block from the mounting adapter - particularly well suited for the wiring in the cross section 2,5 mm<sup>2</sup> in combination with additional plug terminals.

### THE MOUNTING ADAPTER - THE HEART OF THE MODULA SYSTEM

All luminaires of the MODULA series are including a flat and a high mounting adapter in the scope of delivery. After installation of one of the two components, the remaining mounting adapter can be used to cover the installed mounting adapter during the building phase. Also this takes place through a simple latching of both components into each other. The final latching of the luminaire on the installed mounting adapter can thus take place time-delayed in a separate work step without having to renounce temporarily to a contact and foreign body protection.

- The flat mounting adapter is for under-finery installation.
- The high mounting adapter is for on-finery installation.

The terminal block contains an integrated plug fixture for contact making with the luminaire. Through additional plug terminals, all wires within the mounting adapter can be bundled and routed to the preinstalled terminal block. Both the terminal block and water level are temporarily removable to ease the wiring. The mounting adapters are furthermore used for accommodation of optional conversion sets, interfaces and subsidiary batteries.

- Luminaires of the MODULA series, which are factory-made suitable for Sicuro230 with circuit monitoring, can be used as well for Sicuro24 and Sicuro230 with single monitoring through additional conversion sets.
- Luminaires of the MODULA series, which are factory-made suitable for Autotest and CableCom, can be used as well for Logica, Logica FM and DALI through additional interfaces.
- Through a subsidiary battery, the light flux can be enormously increased in emergency operation with self-contained supply - up to 50 %.



Up to **50 % reduced** installation time per luminaire

**Bluetooth** for direct communication with the luminaire, without having to open it



# PRATICA MODULA - SYSTEM FOR HALVING OF THE INSTALLATION TIMES



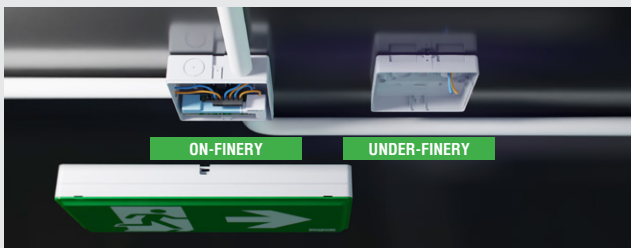
## THERE IS NO ALTERNATIVE FOR ENVIRONMENT PROTECTION

One of our responses to the preservation of limited resources is the summarization of products. Among other things, we achieve this through a design philosophy with focus on a universal usability. In doing so, we summarize technical components with similar properties for different applications. This reduction improves the ecological footprint in the production process and helps to have shorter delivery times, for what our customers thank us for. The MODULA series also arose from the desire to develop the ultimate multipurpose luminaire. The name says it all - „modularity“ with great versatility in the application. All luminaires of this series can be installed in the simplest way...

1. Choose desired mounting adapter as base - high or flat,
  2. wire mounting adapter, accommodate components from the accessories if necessary,
  3. make settings on the backside of the luminaire and latch luminaire onto mounting adapter,
- ...ready.

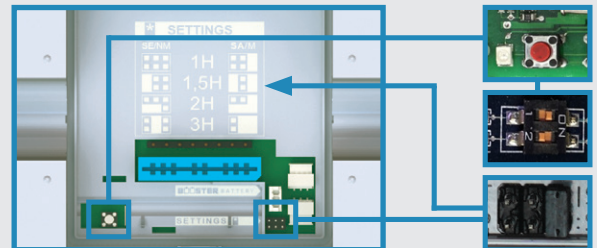
## 01 TWO DELIVERED MOUNTING ADAPTERS

The mounting adapters are development enhancements of common junction sockets. They enable a through wiring with a variety of incoming and outgoing cables. Problem-free use with cable pipes, cable conduits and cable glands. Flat mounting adapter for under-finery installation. High mounting adapter for on-finery installation. A type of protection up to IP65 can be realized depending on the used entries.



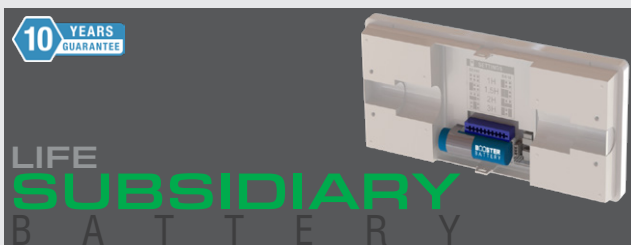
## 02 SETTINGS ON LUMINAIRE

The luminaire does not have to be opened for this procedure. All settings are made on the backside of the luminaire. Operating duration (1 h / 1.5 h / 2 h / 3 h) and operating mode (maintained mode or non-maintained mode) per jumper. Product specific: brightness (in 4 steps) per DIP switch for central supply with circuit monitoring. LED matrix (in 4 LED groups) for Pratica Modula Matrix. Reset to factory settings per pushbutton for self-contained supply.



## 05 SUBSIDIARY BATTERY

Available as accessory for the luminaire series Pratica Modula. Easy connection on the backside of the luminaire, which does not have to be opened for this procedure. The light flux in emergency operation can be increased up to 50 % for self-contained supply (product specific). Reliable Lithium-Ferro-Phosphate technology (LIFE) with 10 years guarantee.



## 06 ONE TERMINAL BLOCK FOR ALL

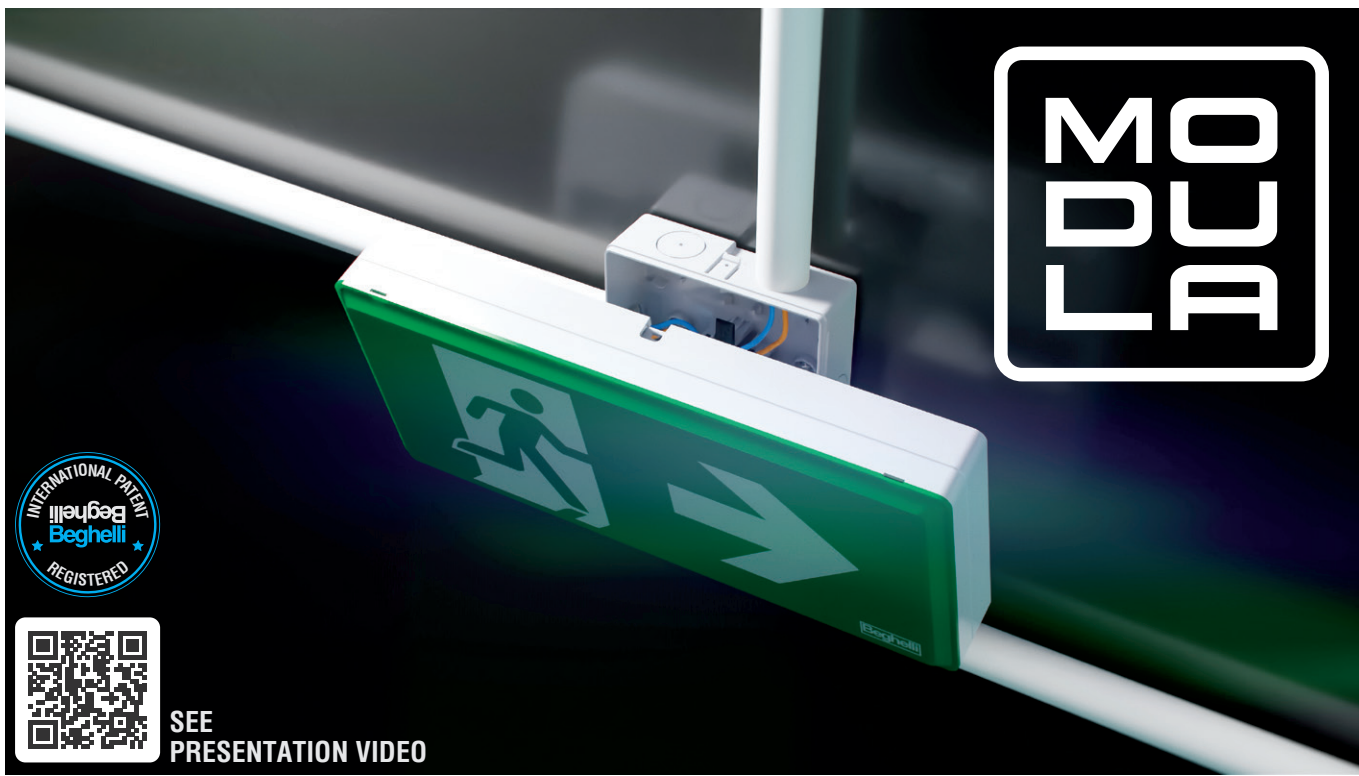
Depending on application:

- Monitoring and charging voltage, without or with cable bus (Powerline)
- Cable bus (DALI)
- Switch input (230 V / 50 Hz).

Over the switch input, the operating mode can be set as well or a switching together with the general lighting can take place alternatively.

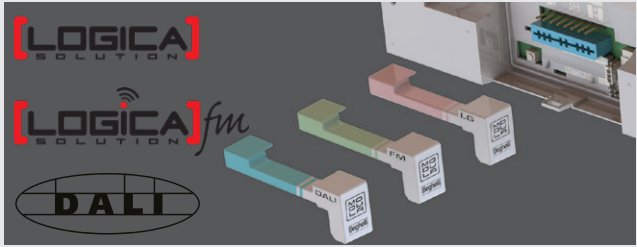






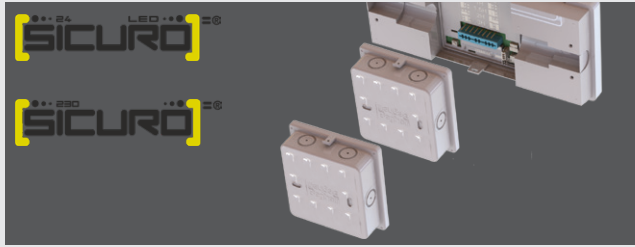
### 03 THREE ADDITIONAL INTERFACES

The variants for Autotest / CableCom can be used as well for Logica, Logica FM and DALI through the additional interfaces. Easy connection through plugging on the backside of the luminaire, which does not have to be opened for this procedure. No additional wiring necessary.



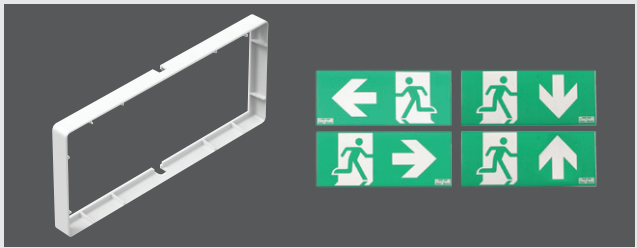
### 04 TWO ADDITIONAL CONVERSION SETS

The variants for Sicuro230 with circuit monitoring can be used as well for Sicuro24 and Sicuro230 with single monitoring through the additional conversion sets. Easy connection through latching of a high mounting adapter (delivered) on the backside of the luminaire, which does not have to be opened for this procedure. The wiring takes place within the high mounting adapter.



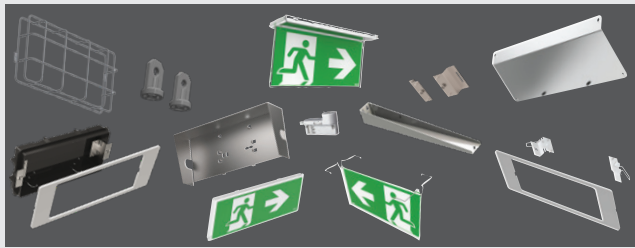
### 07 DELIVERED FRAME BEZEL AND FOILS

Can be used as design element. Easy installation through latching with click-closures on the backside of the luminaire. When using the backward entries, the unused sideward entries can be covered through the frame bezel. Ideal for under-finery installations in offices, schools, restaurants... Four escape sign foils (self-adhesive) enable 1-sided escape route indication.



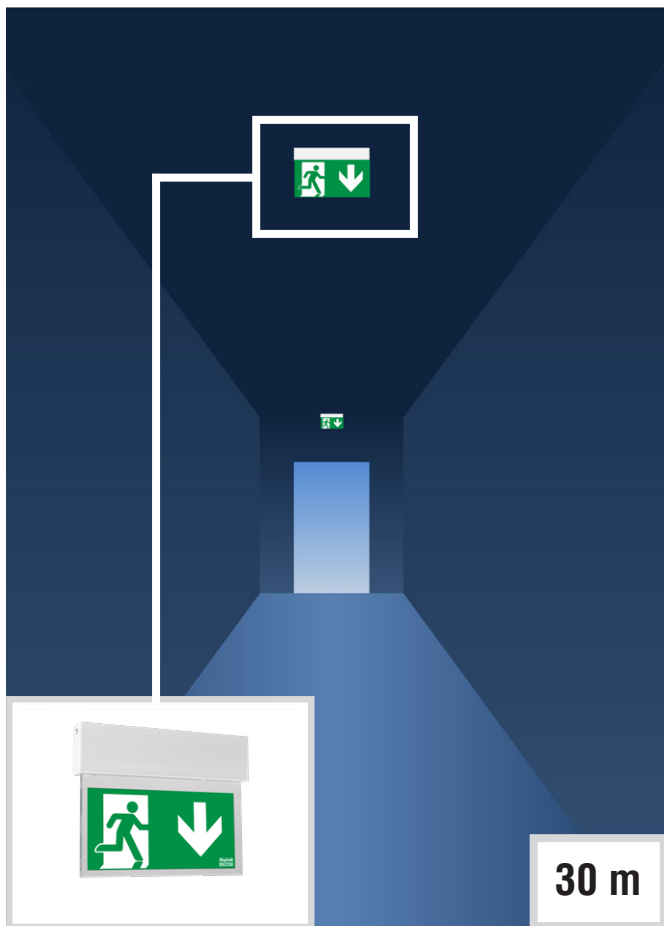
### 08 EXTENSIVE ACCESSORIES

Accessories to be ordered separately enable a variety of further mounting types, additional protection against mechanical influences and rain as well as 1-sided and 2-sided escape route indication with escape sign covers and escape sign display panes.



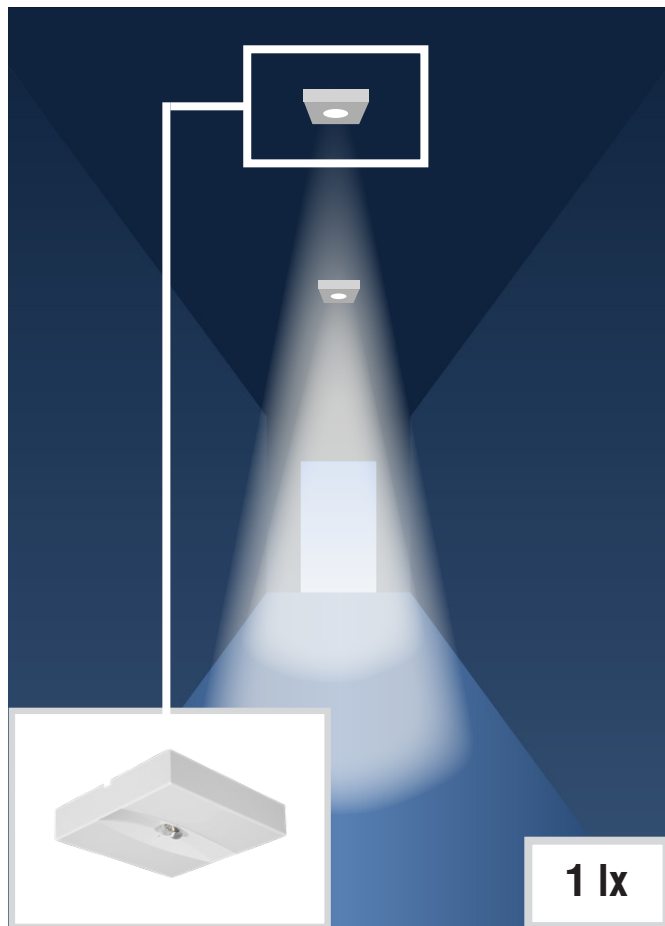
### ESCAPE SIGN LUMINAIRES

for indication of escape routes and emergency exits



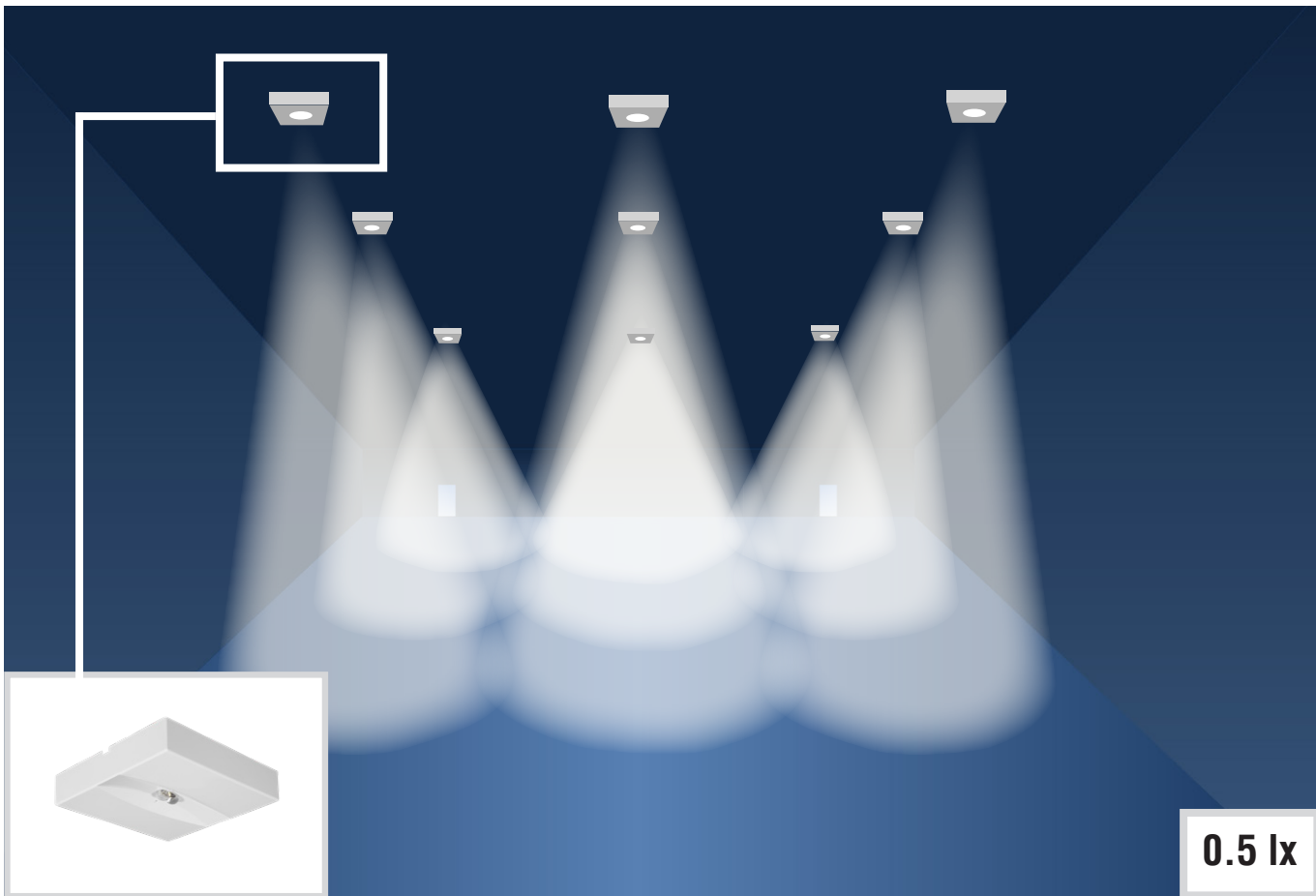
### SAFETY LUMINAIRES

for illumination of escape routes



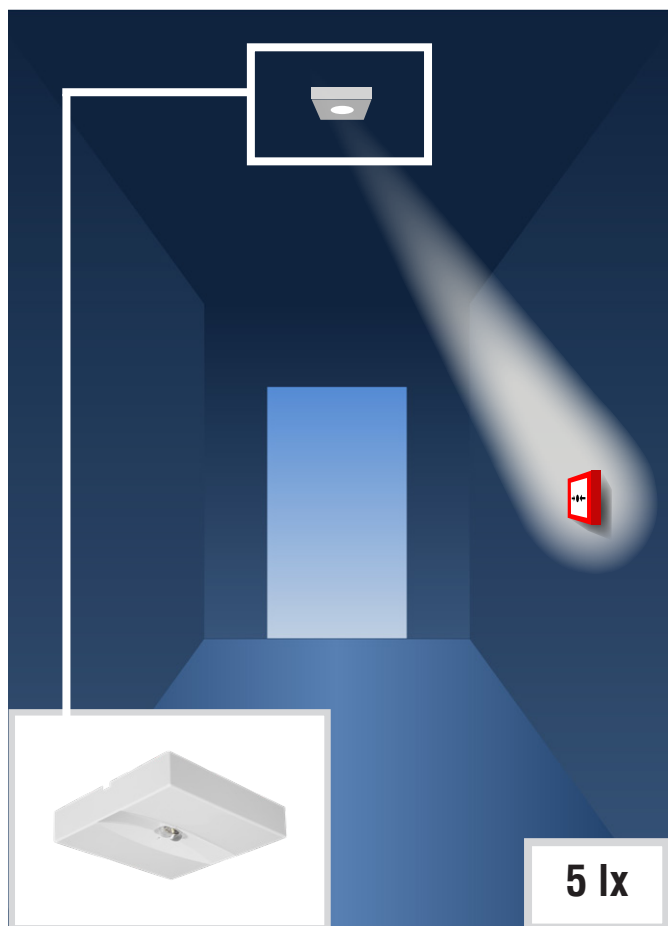
### SAFETY LUMINAIRES

for illumination of areas



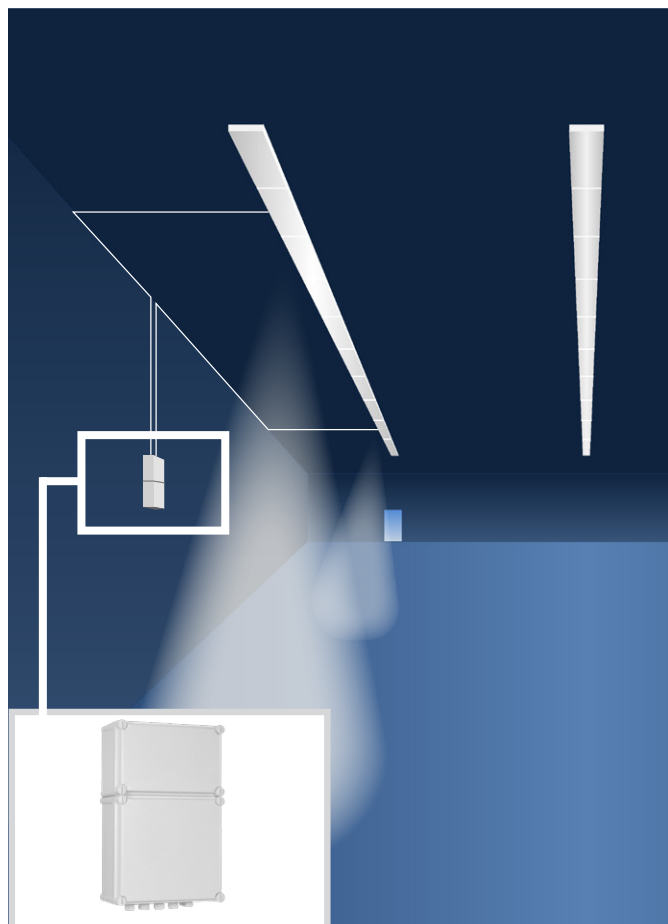
## SAFETY LUMINAIRES

for illumination of safety devices



## SUPPLY DEVICES

for operation of interior and exterior luminaires as safety luminaires



**Integration** of the general lighting into the safety lighting

**No reduction** of the light flux in battery operation (with appropriate control gears)

Ideal for **commercial** and **industrial** halls or for sport sites

Also for **large distances** between supply device and luminaire

# LIFE & LIFE ECO

## › INNOVATIVE SELF-CONTAINED SUPPLY

Lithium-Ferro-Phosphate batteries (LIFE) in the variants:

LIFE

LIFE ECO

## › WITH LONG BATTERY LIFE

Environment-friendly, safe and cost-optimized:

10 years guarantee for batteries in the variant LIFE

- Symbol: 

5 years guarantee for batteries in the variant LIFE ECO

- Symbol: 

## › FOR LUMINAIRES WITH INTERNAL BATTERIES

Constant light flux, sparing charge and discharge procedures -

0 °C to +40 °C for luminaires with batteries in the variants:

LIFE

LIFE ECO



## AVAILABLE AS

ESCAPE SIGN LUMINAIRES  
SAFETY LUMINAIRES  
VARIABLE ESCAPE SIGN AND SAFETY LUMINAIRES  
COMBINED SAFETY SIGN AND SAFETY LUMINAIRES  
EMERGENCY LIGHT SUPPLY MODULES  
WITH  
LITHIUM-FERRO-PHOSPHATE BATTERIES (LIFE)

## FUNCTIONS

### Programmable / adjustable operating duration



1 h / 1.5 h / 2 h / 3 h / 8 h

Programmability, adjustability as well as operating duration are product-specific. Specific possibilities have to be set out from the respective catalogue pages.

### Programmable / adjustable operating mode



maintained mode / non-maintained mode

Programmability, adjustability as well as operating modes are product-specific. Specific possibilities have to be set out from the respective catalogue pages.

### Possibilities for realization of an automatic test device



Self test:  
AutoTest



Remote test:

- CableCom (cable bus, Powerline)
- Logica (cable bus, DALI)
- Logica FM (radio bus, ZigBee®)



## ADVANTAGES COMPARED TO CENTRAL SUPPLY

**No battery room**

**No additional distributors** (also no functional integrity)

**No additional cables** (also no functional integrity)












**No divided luminaire circuits**

**No battery maintenance**

**Higher safety through decentralization**

**[AUTOTEST]** Decentral test device as stand-alone-system, **integrated** in the luminaire, the supply module or the supply device.













**FUNCTIONS IDEAL FOR SMALLER BUILDINGS AND WORK SITES**

-  Automatic tests
-  Decentral messages
-  Product specific: adjustable operating mode
-  Product specific: programmable operating mode over B.connect
-  Product specific: adjustable operating time
-  Product specific: programmable operating time over B.connect
-  No central switching
-  No central dimming
-  No integrated test book
-  No adjustable test parameters
-  No programmable test parameters



Central test device as master-slave-system, **integrated interfaces** for communication over a cable bus (Powerline). Optional interfaces for monitoring and control over a **building management system**.

**FUNCTIONS IDEAL FOR SMALLER BUILDINGS AND WORK SITES**

-  Automatic tests
-  Central messages
-  Product specific: adjustable operating mode on connected equipment
-  Product specific: programmable operating mode over NuBe / B.connect
-  Product specific: adjustable operating time on connected equipment
-  Programmable operating time over test device (not selective) / NuBe (selective) / B.connect (selective)
-  No central switching over test device
-  No central dimming over test device
-  No integrated test book
-  Last test result over test device (binary) / NuBe / B.connect
-  No adjustable test parameters
-  Programmable test parameters over NuBe / B.connect



Central test devices as master-slave-systems, **integrated interfaces** for communication over a **cable bus** (DALI standard) or a **radio bus** (ZigBee® standard). Optional interfaces for monitoring and control over a **building management system**.

## FUNCTIONS IDEAL FOR LARGER BUILDINGS AND WORK SITES

**AUTO** ✓ Automatic tests



Central messages



Product specific: adjustable operating mode



Product specific: programmable operating mode over test device, NuBe / B.connect / Logica Visual



Product specific: adjustable operating time on connected equipment



Product specific: programmable operating time over test device, NuBe / B.connect / Logica Visual



Product specific: central switching with Logica Z and Logica FM



Product specific: central dimming with Logica Z and Logica FM

### Logica S Connect:



No integrated test book



Last test result over test device (binary) / NuBe / B.connect



No adjustable test parameters



Programmable test parameters over NuBe / B.connect

### Logica S Connect together with Logica Z:



Integrated test book



Adjustable test parameters



Programmable test parameters over Logica Visual for Logica S with Logica Z

### Logica FM:



Integrated test book

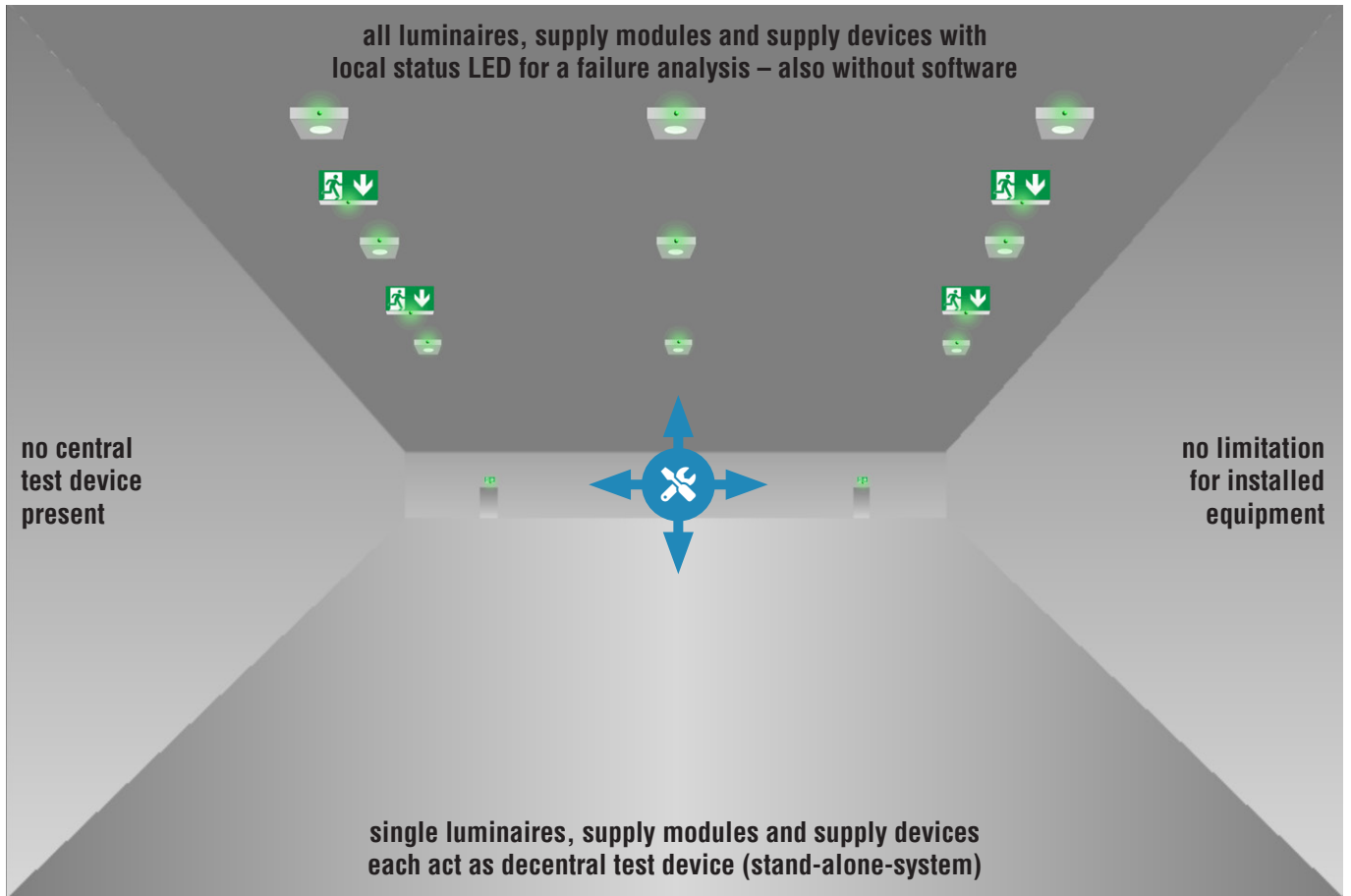


Adjustable test parameters

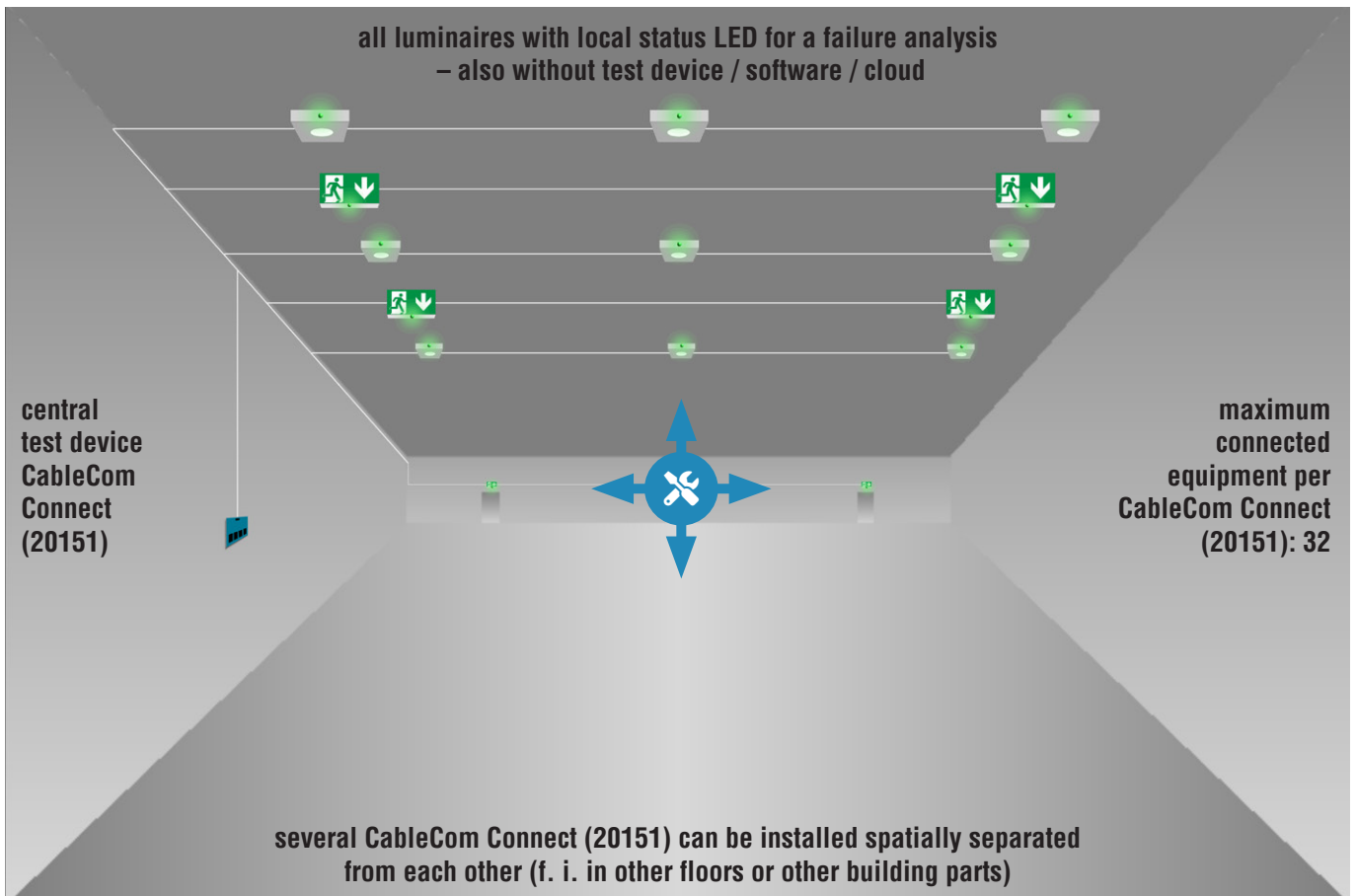


Programmable test parameters over NuBe / B.connect / Logica Visual

**SCHEME [AUTOTEST] without bus**

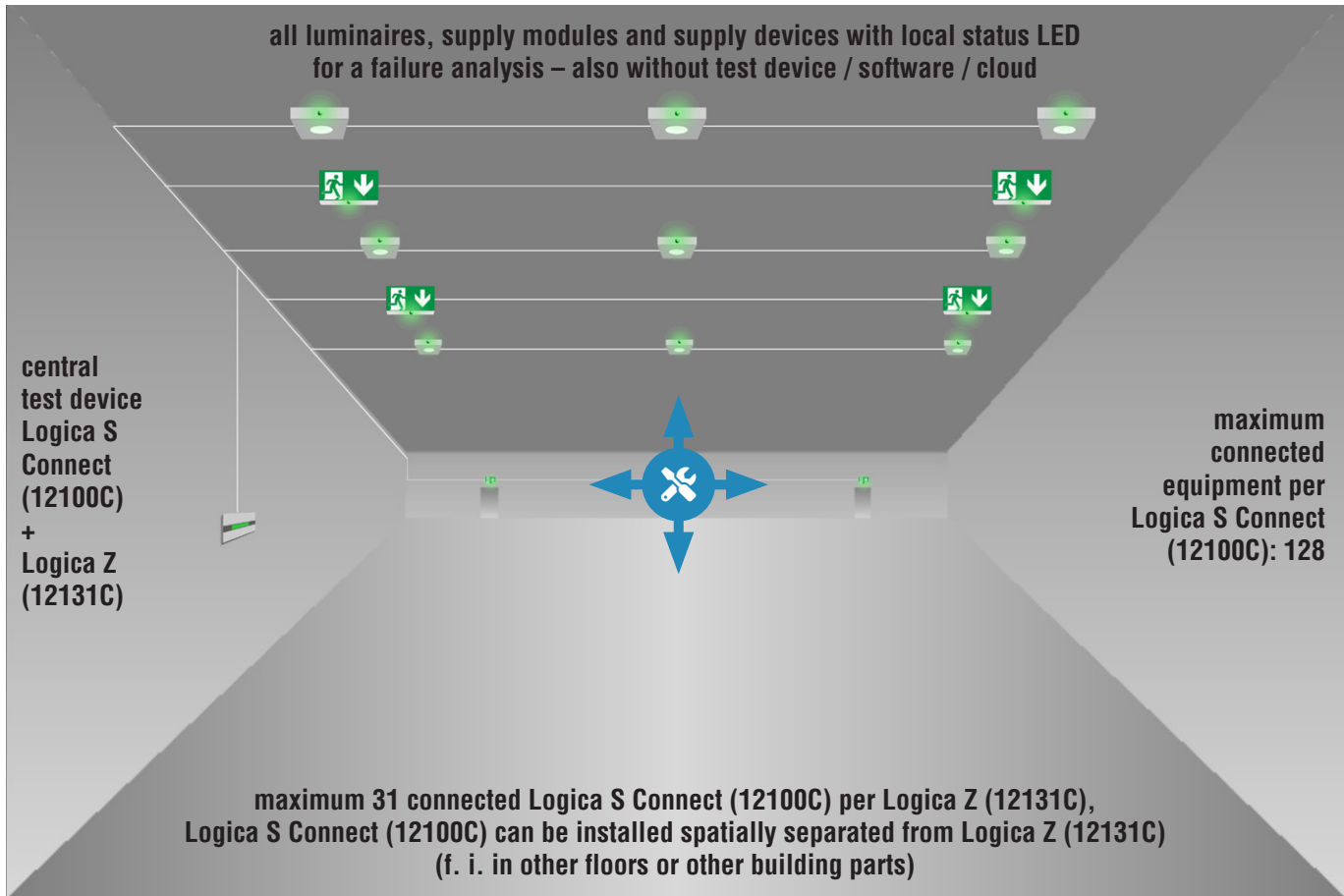


**BUS SCHEME  with cable bus - Powerline**

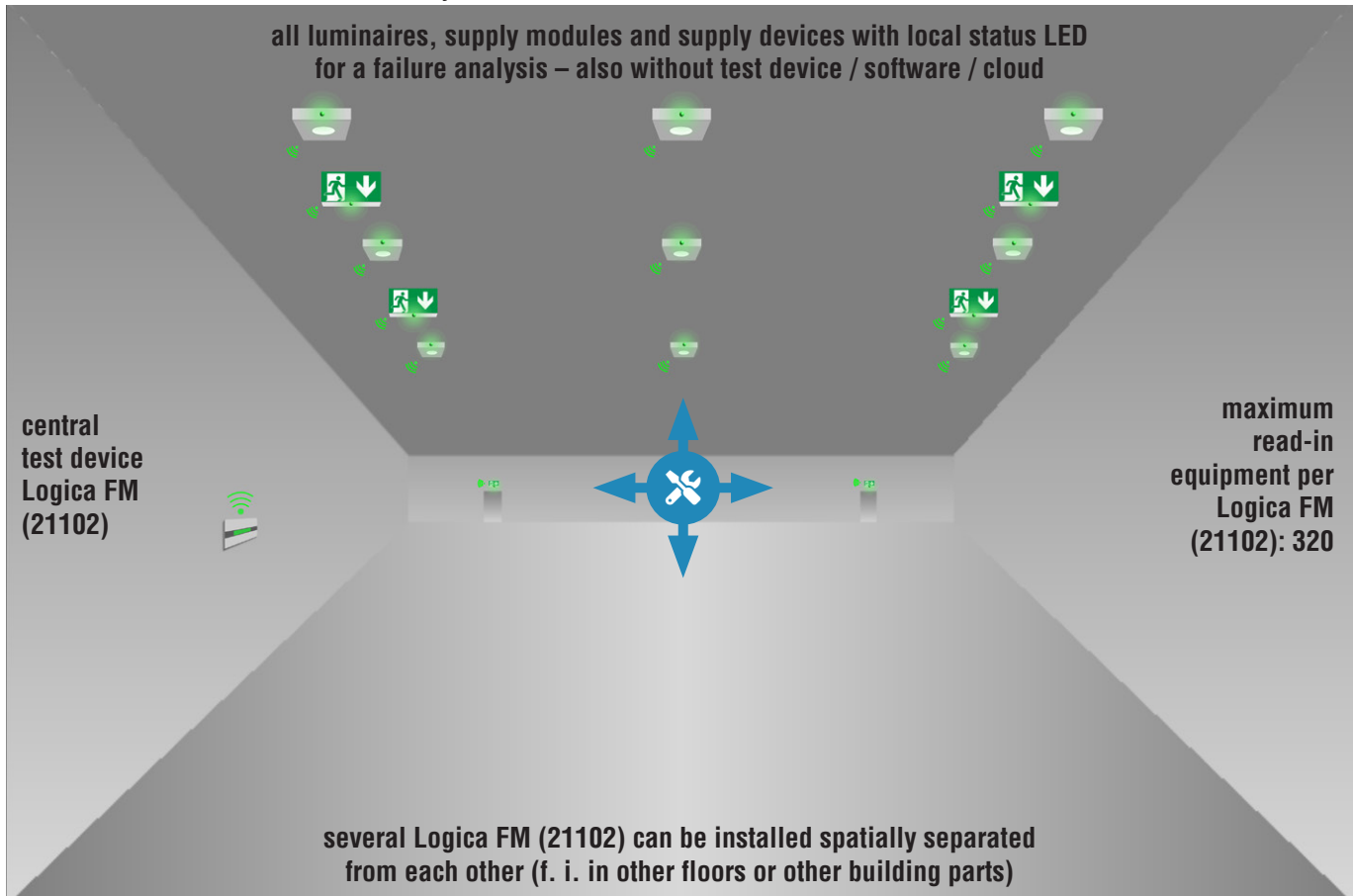




**BUS SCHEME** **[LOGICA]** with cable bus - DALI standard

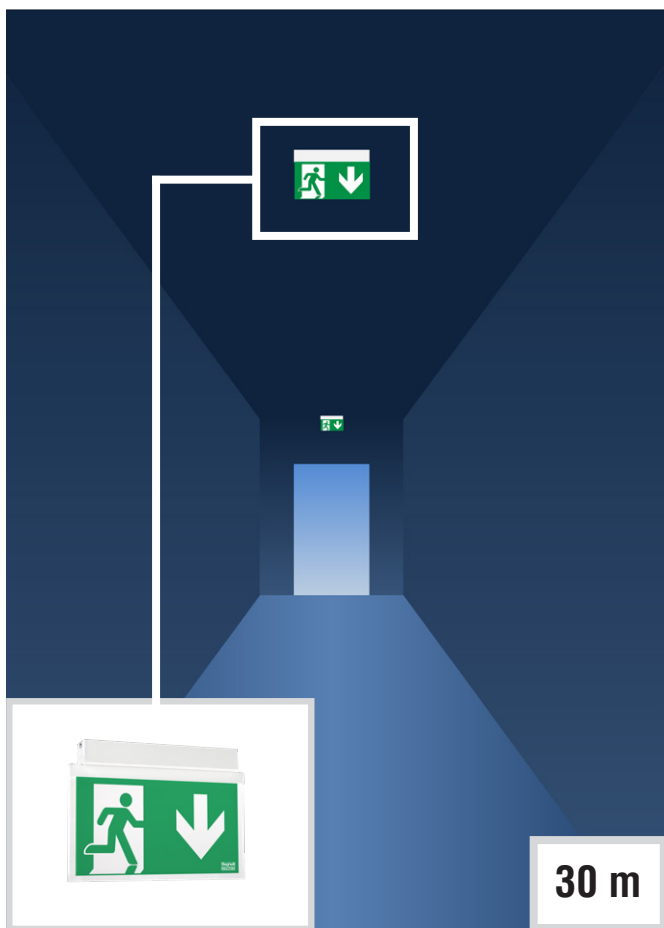


**BUS SCHEME** **[LOGICA]<sup>fm</sup>** with radio bus - ZigBee® standard



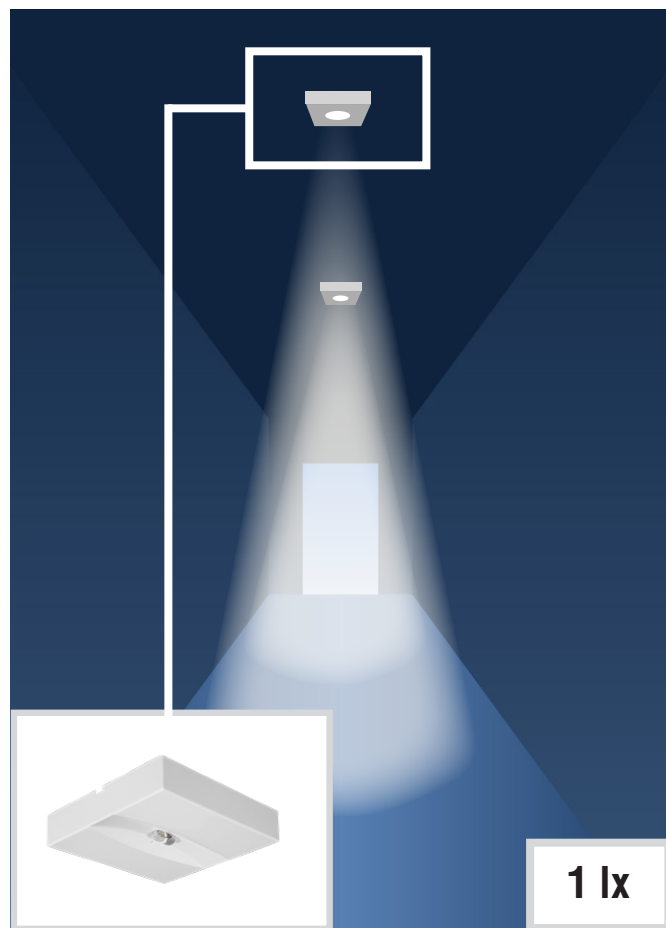
### ESCAPE SIGN LUMINAIRES

for indication of escape routes and emergency exits



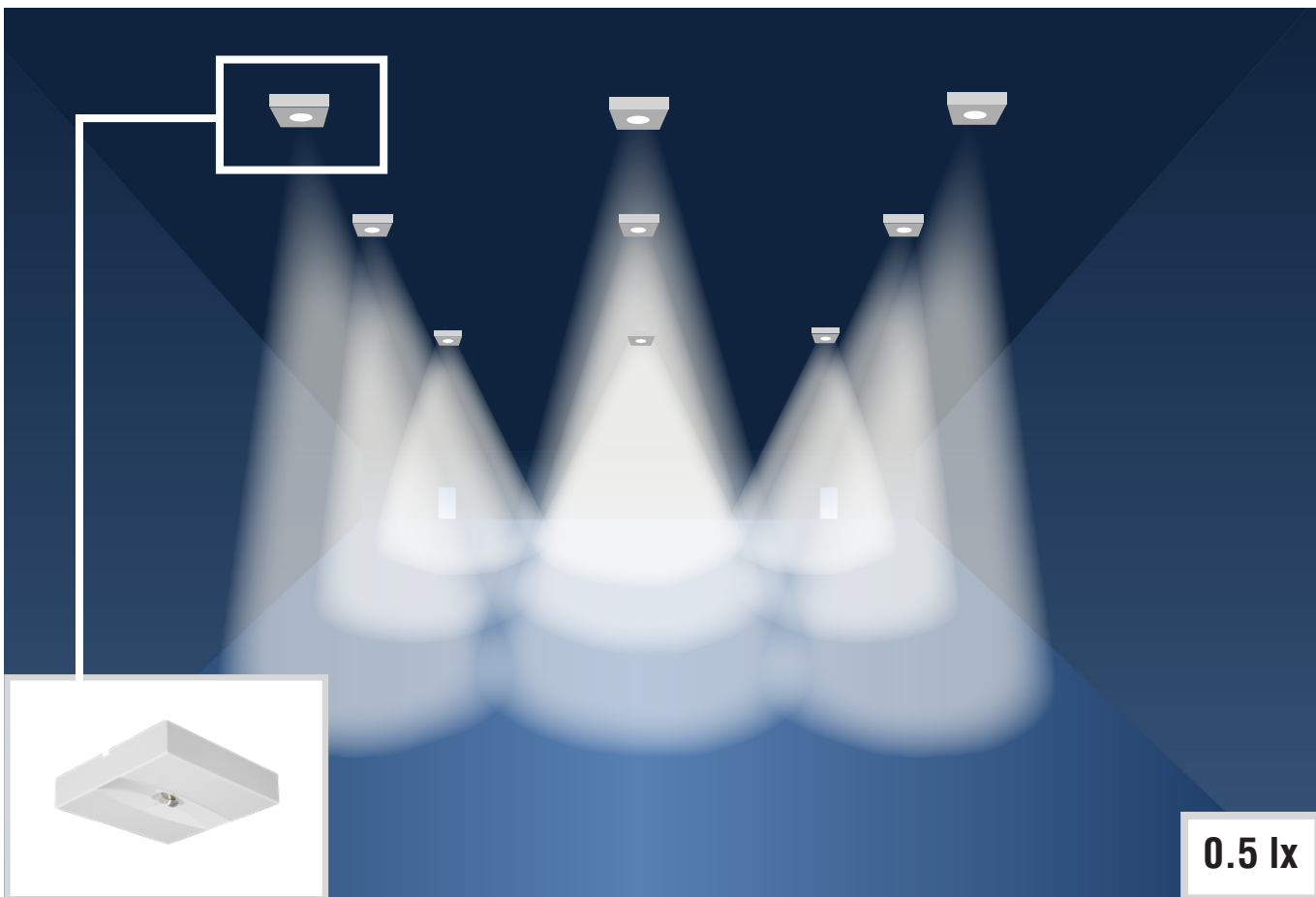
### SAFETY LUMINAIRES

for illumination of escape routes



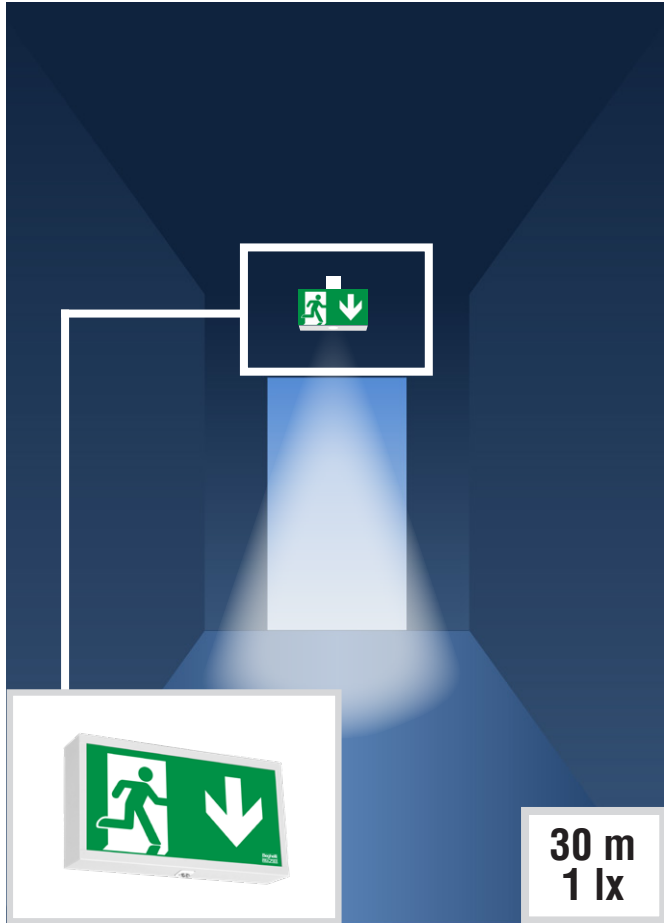
### SAFETY LUMINAIRES

for illumination of areas



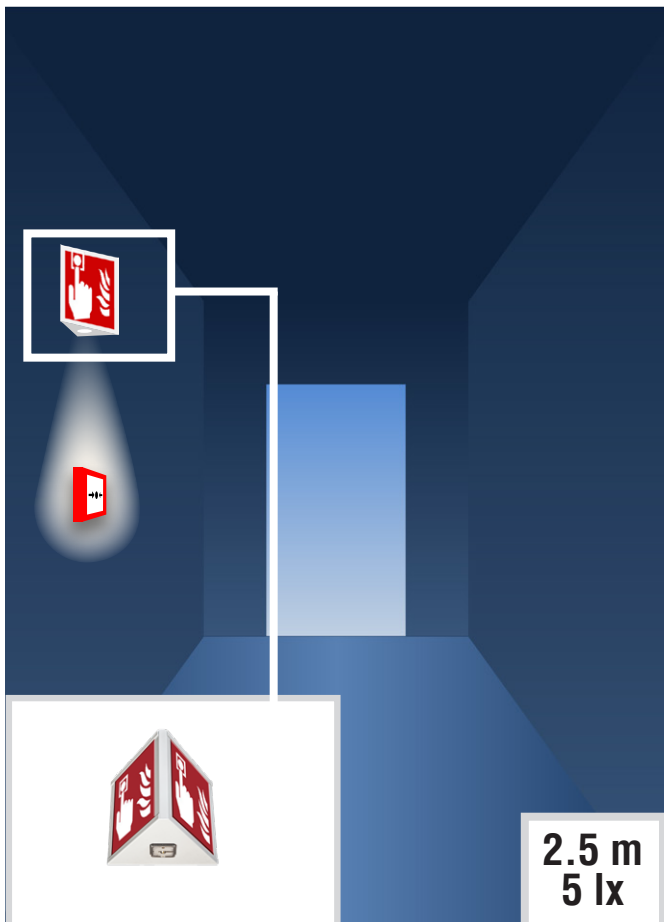
## COMBINED LUMINAIRES

Combined escape sign and safety luminaires for indication and illumination



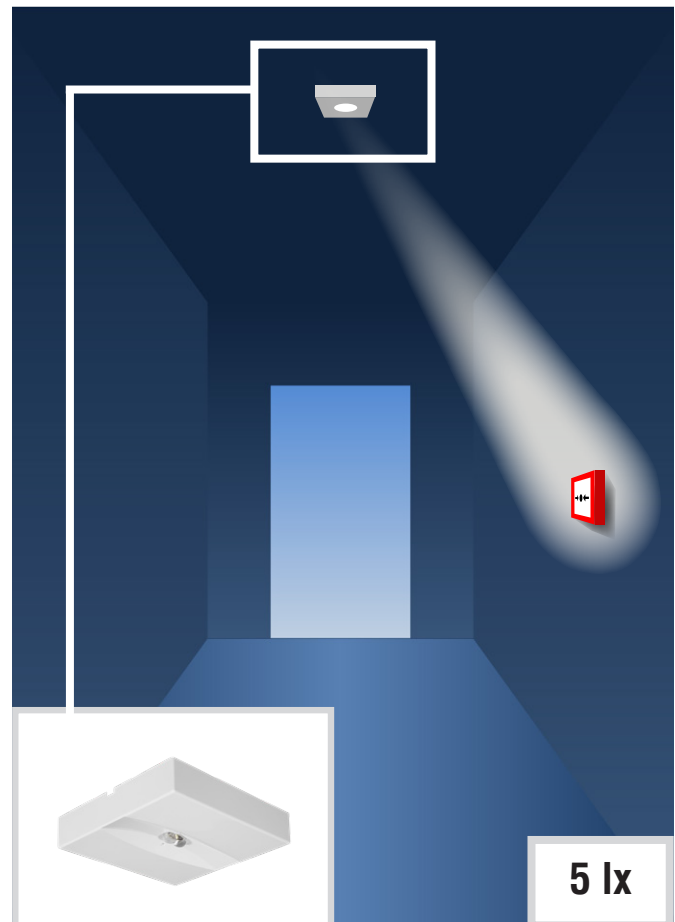
## COMBINED LUMINAIRES

Combined safety sign and safety luminaires for indication and illumination of safety devices



## SAFETY LUMINAIRES

for illumination of safety devices



**Combination** of escape sign and safety luminaire in one luminaire

Ideal for **indication and illumination** of emergency exits and changes of direction

Also for **indication and illumination** of safety devices

**Separate switching** of both luminaires

**Shorter installation times** through reduction of the quantity of luminaires



› **LUMINAIRES FOR INNOVATIVE DECENTRAL & CENTRAL SUPPLY** Lithium-Titanate-Oxide batteries (LTO) for Sicuro24G



› **INTEGRATED SWITCHING FUNCTIONS**  
for static and dynamic control

› **INTEGRATED TEST DEVICE**  
for automatic tests







› **EXTREME TEMPERATURE RANGE FOR SICURO24G**  
-10 °C to +45 °C



## AVAILABLE AS

SEPARATE ESCAPE SIGN LUMINAIRES  
 SEPARATE SAFETY LUMINAIRES  
 DYNAMIC ESCAPE SIGN LUMINAIRES (ONLY WITH SICURO24)  
 DYNAMIC LUMINOUS MARKER (ONLY WITH SICURO24)  
 COMBINED ESCAPE SIGN AND SAFETY LUMINAIRES  
 COMBINED SAFETY SIGN AND SAFETY LUMINAIRES  
 FOR  
 DECENTRAL AND CENTRAL SUPPLY

## FUNCTIONS

-  Luminaire monitoring with Sicuro230 and Sicuro24
-  Circuit monitoring with Sicuro230
-  Programmable operating mode
-  Combinable operating mode
-  Automatic addressing with Sicuro24
-  Manual and automatic addressing with Sicuro230



## ADVANTAGES

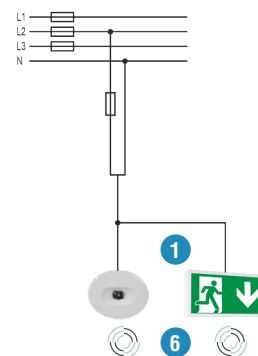
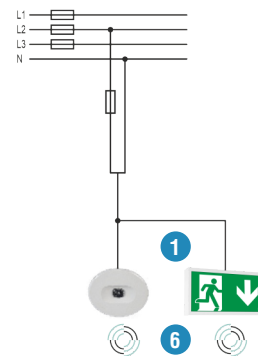
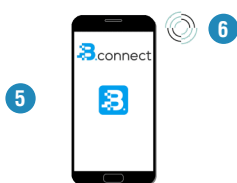
**Fire section or building-related supply**

**Danger-dependent dynamic control** of the escape route indication

**Danger-dependent dynamic control** of the escape route illumination

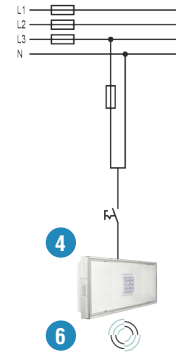
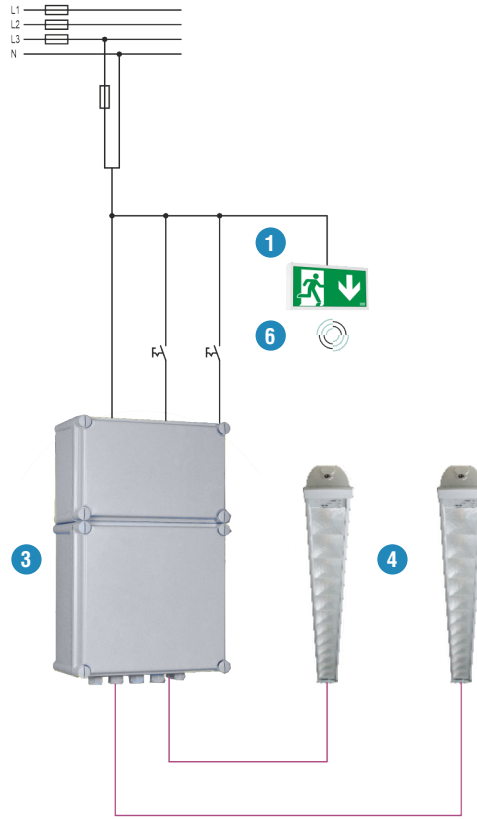
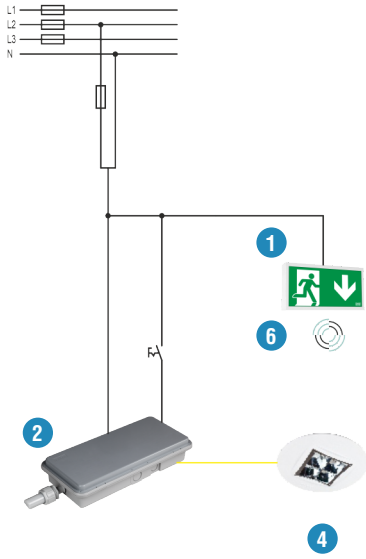
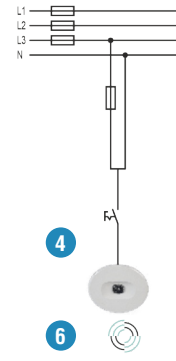
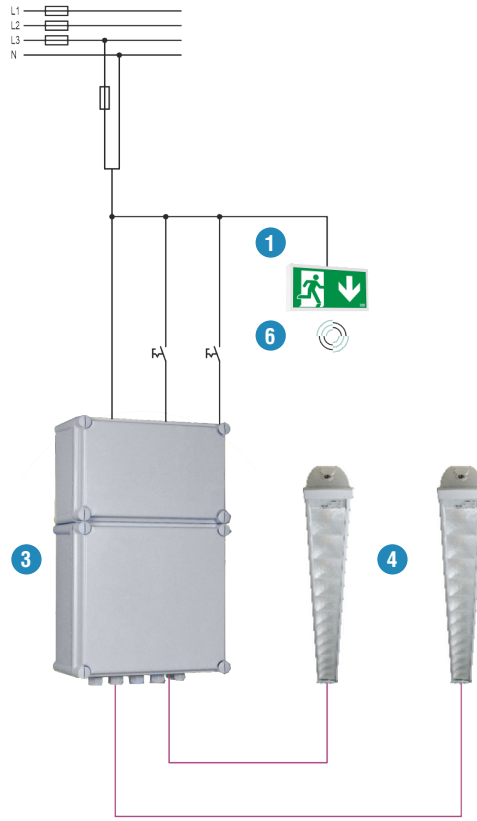
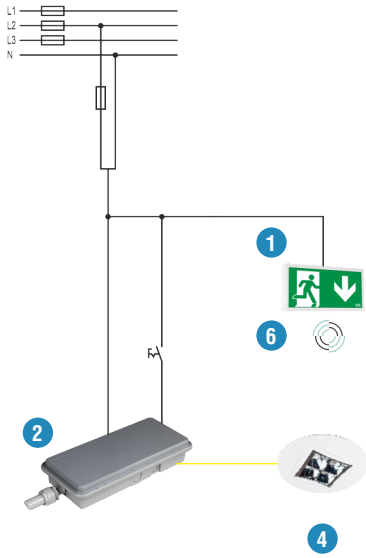
Choice of **automatic** or **manual** addressing

**Automatic addressing** for prevention of addressing failures



- 1 **Escape sign and safety luminaires (AT)**
- 2 **Supply module (AT)**
- 3 **Supply device (AT)**
- 4 **Combined general lighting and safety luminaire (AT)**
- 5 **Smartphone** with software B.connect<sup>1</sup>
- 6 **Optical interface** - flashlight of smartphone to light sensor of luminaire (unidirectional)

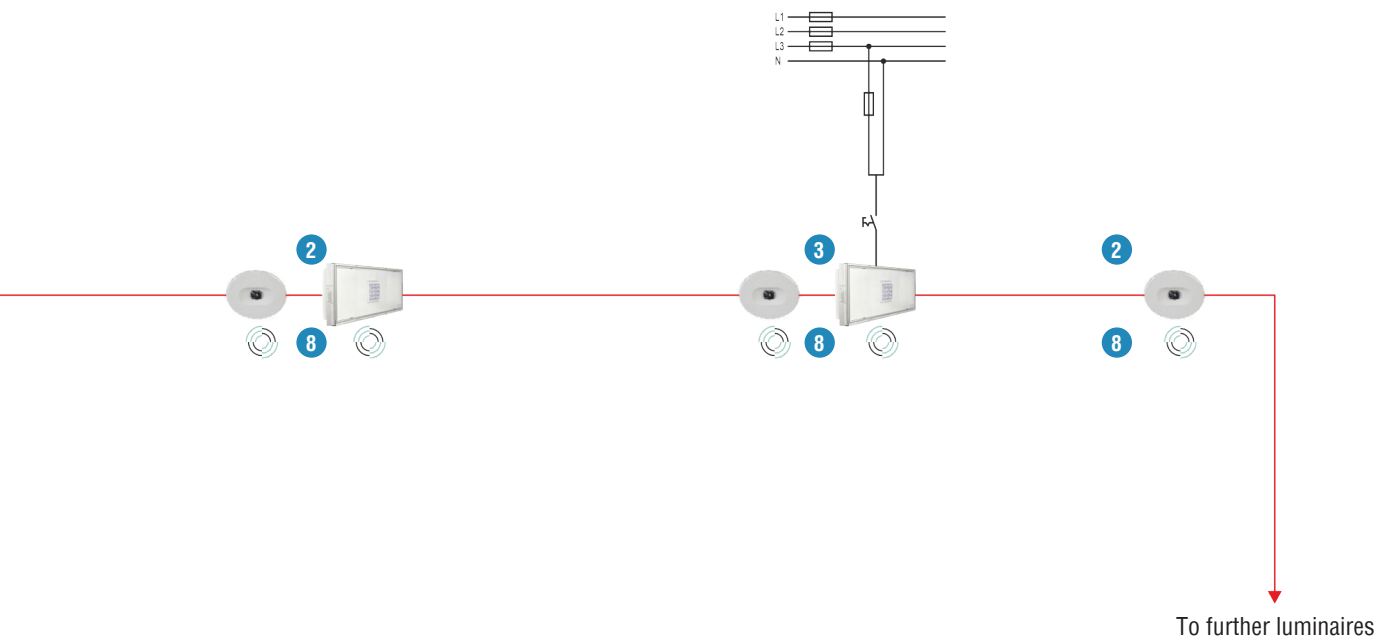
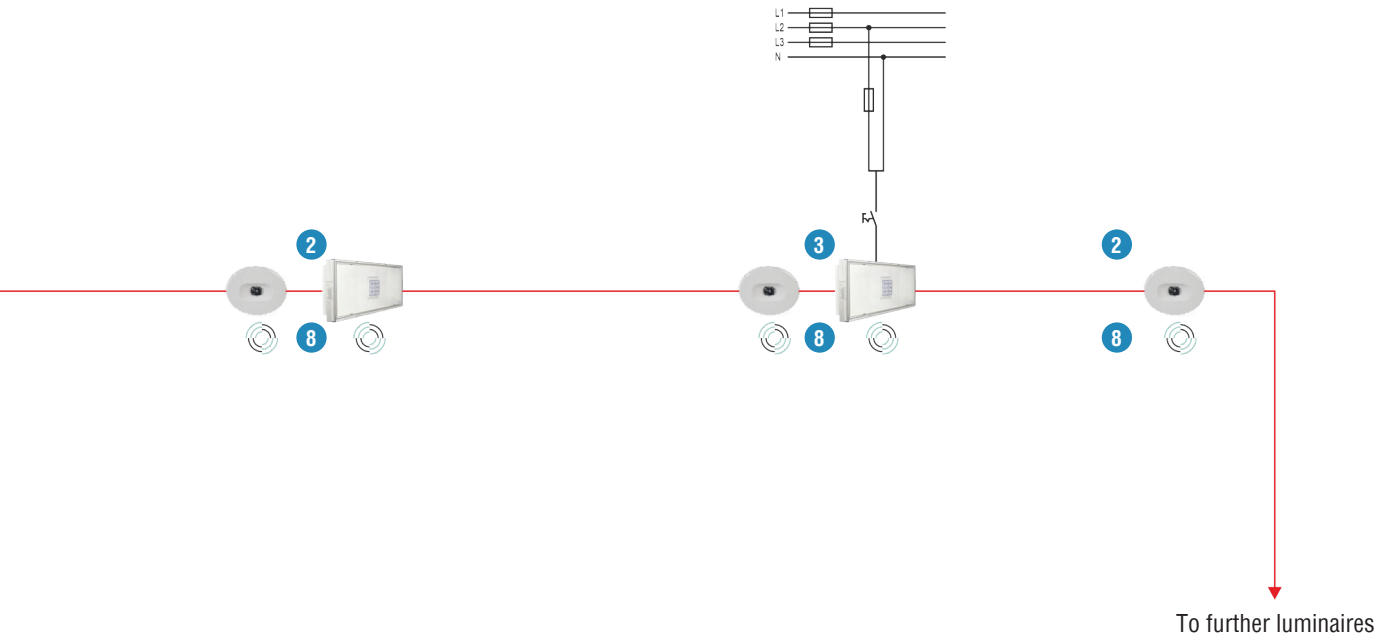
- 230 V AC
- 230 V AC / 230 V AC (rectangular-shaped) / 230 V DC
- various voltages (mains voltage / lamp voltage)



<sup>1</sup> Compatibility of test device with software resp. cloud must be considered - see page for software resp. cloud







9 Ethernet<sup>1</sup>

<sup>1</sup> Cable: min. CAT-5

<sup>2</sup> Compatibility of test device with software resp. cloud must be considered - see page for software resp. cloud



## CENTRAL TEST DEVICE CABLECOM CONNECT

Automatic test device for monitoring and control of luminaires with self-contained supply and integrated CableCom interface. Communication between test device CableCom Connect and max. 32 luminaires with self-contained supply and integrated CableCom interface via cable bus according to the Powerline principle (voltage supply and bus of luminaire in one cable). Automatic addressing of the luminaires.

### PROGRAMMING

- System parameters per system<sup>1</sup>
- Test parameters (date, time, cycle) per system<sup>1</sup>
- Operating duration per system and luminaire<sup>1</sup> (programming overwrites possibly setting on luminaire)

### INTERFACES

Powerline bus / CableCom interface for communication to

- Luminaires

WLAN-STA, WLAN-AP for communication to

- PC or Smartphone

### OPERATION

Operation on the automatic test device or from a PC (option) / Smartphone (option).

2 buttons and 1 rotary switch for input and 16 LEDs with alphanumeric labelling for output of all data and parameters. A slot screwdriver (3 mm) is required additionally for the input.

### TECHNICAL DATA

<b>Housing:</b>	Polycarbonate, grey (RAL 7035)
<b>Dimensions (H x W x D):</b>	90 x 71 x 60 mm
<b>Division units:</b>	4 DU
<b>Type of protection:</b>	IP20
<b>Protection class:</b>	II
<b>Mounting:</b>	Distributor installation (DIN rail)
<b>Mains supply:</b>	230 V +/- 10 % / 50-60 Hz
<b>Ambient temperature:</b>	0 °C to +40 °C

IP20

## FUNCTIONS

### TESTING

- Automatic execution of function and duration tests per system, simultaneous or delayed for the monitoring groups<sup>2</sup>
- Manual execution of function and duration tests per system or luminaire<sup>1</sup>

### CONTROL

- Manual switching (on / off) in mains operation (only at maintained mode) per system<sup>1</sup> or luminaire<sup>1</sup>
- Manual dimming to fixed dimm value in mains operation (only at maintained mode) per system<sup>1</sup> or luminaire<sup>1</sup>

### SIGNALLING

- Faults (lamp, communication fault, battery fault) per system or luminaire<sup>1</sup>

### STORAGE

- Last 4 tests per system resp. luminaire
- Battery for data retention

## CABLECOM CONNECT FOR DISTRIBUTOR INSTALLATION

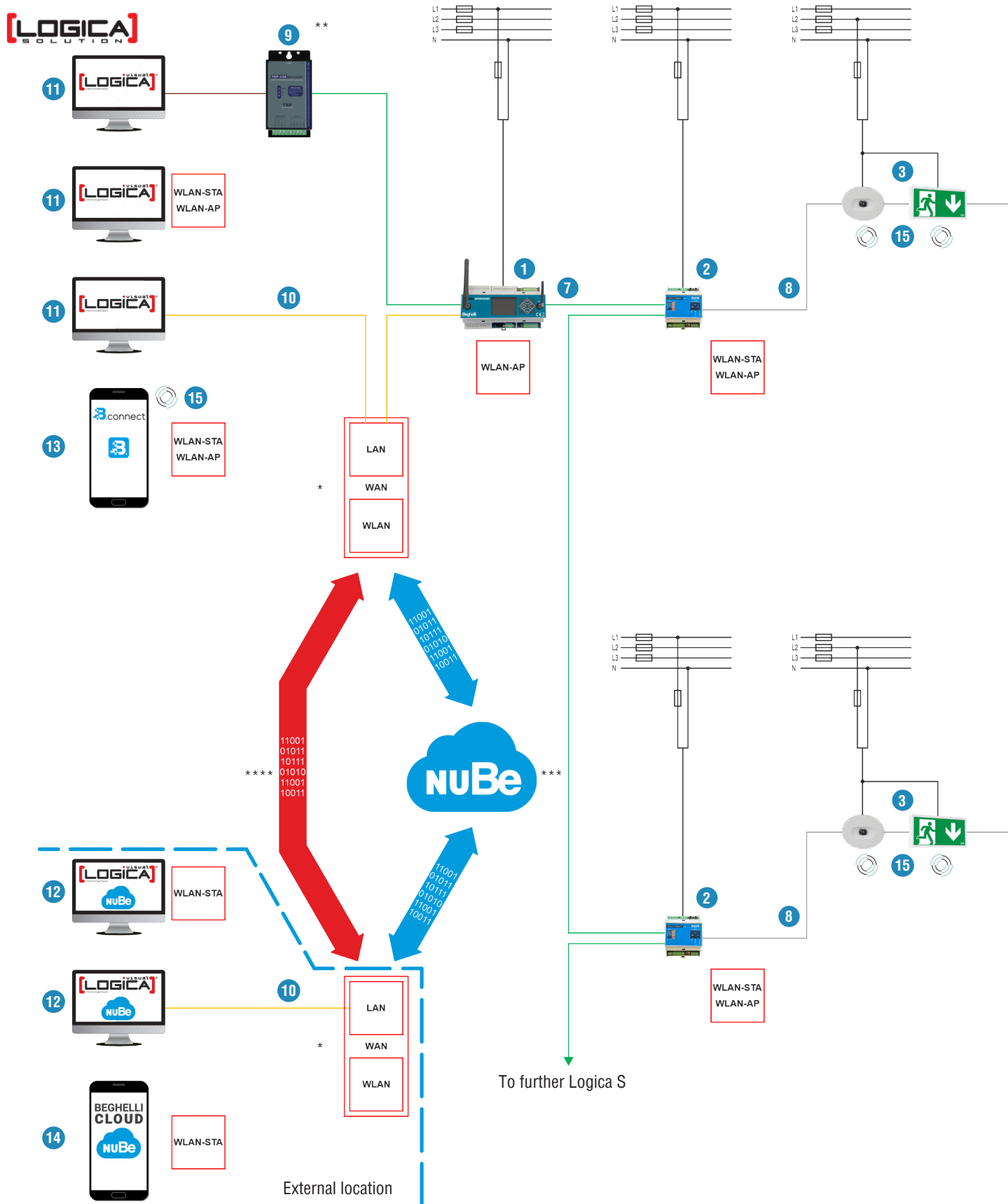


<b>Housing:</b>	Polycarbonate, grey (RAL 7035)
<b>Dimensions (H x W x D):</b>	90 x 71 x 60 mm
<b>Division units:</b>	4 DU
<b>Type of protection:</b>	IP20
<b>Protection class:</b>	II
<b>Mounting:</b>	Distributor installation (DIN rail)
<b>Mains supply:</b>	230 V +/- 10 % / 50-60 Hz
<b>Ambient temperature:</b>	0 °C to +40 °C

<b>Order code</b>	<b>Description</b>
20151	CableCom Connect for distributor installation (DIN rail)

<sup>1</sup> Only over software B.connect / cloud NuBe possible.

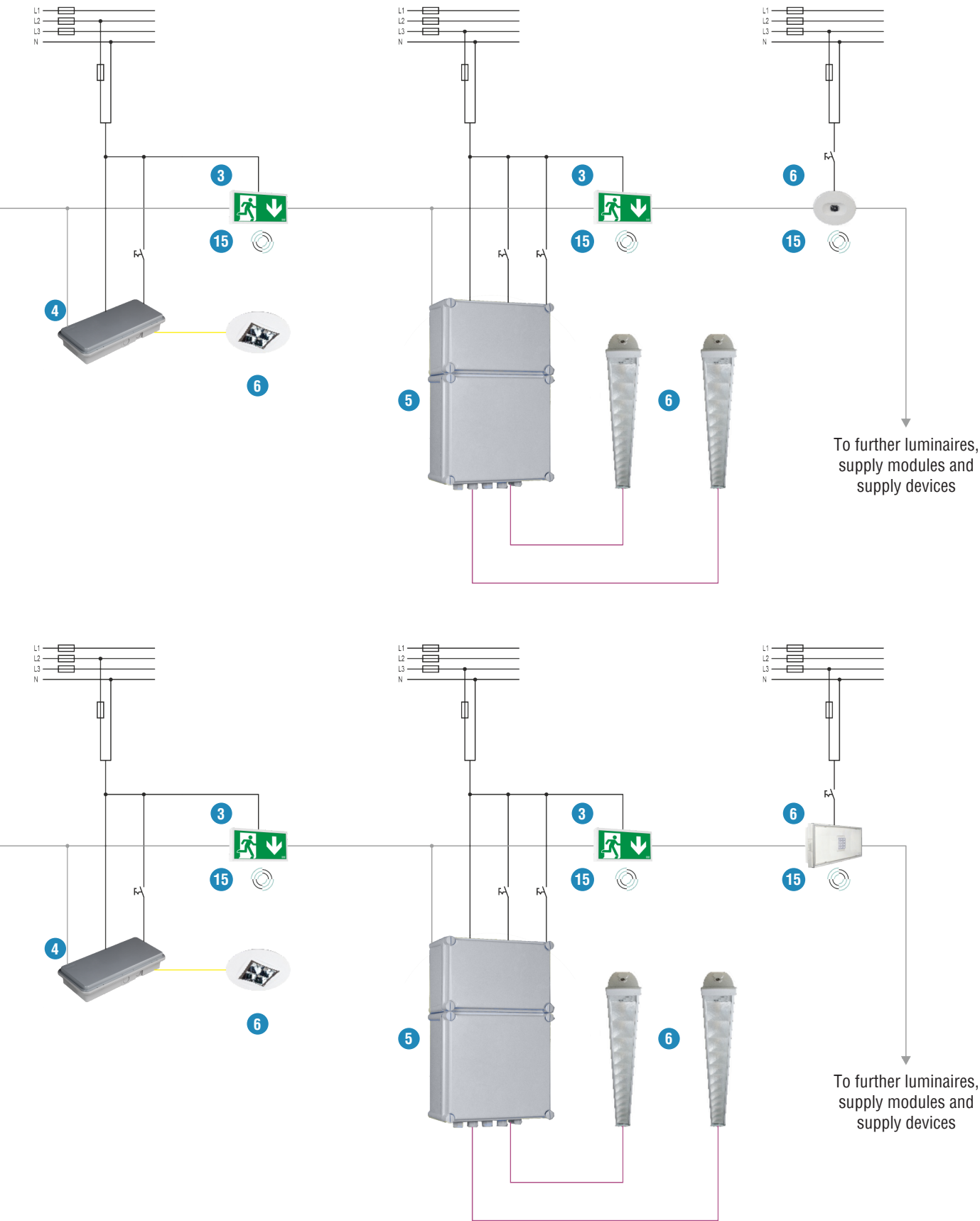
<sup>2</sup> Monitoring groups: Division of luminaires in the groups "Even" and "Odd". Defined factory-made through the adicity (even or odd) of the hexadecimal device addresses. The definition can be changed over software B.connect / cloud NuBe (programming overwrites factory-made definition on luminaire).



- 1 Test device **Logica Z** - 12131C
- 2 Test devices **Logica S Connect** - 12100C
- 3 **Escape sign and safety luminaires** (LG)
- 4 **Supply module** (LG)
- 5 **Supply device** (LG)
- 6 **Combined general lighting and safety luminaire** (LG)
- 7 **RS485 bus** for max. 31 Logica S Connect<sup>1</sup>
- 8 **Logica cable bus (DALI)** for max. 128 luminaires / supply modules / supply devices<sup>2</sup>

- 230 V AC
- 230 V AC / 230 V AC (rectangular-shaped) / 230 V DC
- RS485
- USB
- Ethernet
- Logica cable bus (DALI)
- various voltages (mains voltage / lamp voltage)

<sup>\*</sup> LAN and WLAN with connection to WAN (internet)  
<sup>\*\*</sup> Only one interface per test device possible  
<sup>\*\*\*</sup> Cloud NuBe on servers of Beghelli  
<sup>\*\*\*\*</sup> For remote access over Logica Visual required VPN connection



To further luminaires,  
supply modules and  
supply devices

To further luminaires,  
supply modules and  
supply devices

- 9 RS485/USB interface for PC with software Logica Visual<sup>1</sup>
- 10 Ethernet<sup>3</sup>
- 11 PC with software Logica Visual<sup>4</sup>
- 12 PC with software Logica Visual / cloud NuBe<sup>4</sup>
- 13 Smartphone with software B.connect<sup>4</sup>
- 14 Smartphone with cloud NuBe<sup>4</sup>
- 15 Optical interface - flashlight of smartphone to light sensor of luminaire (unidirectional)

<sup>1</sup> Cable (RS485): min. 2 x 2 x 0.8 mm  
Length: max. 1.000 m  
Topology: serial

<sup>2</sup> Cables: 2 x 0.5 mm<sup>2</sup>, length max. 150 m  
2 x 1 mm<sup>2</sup>, length max. 300 m  
2 x 1.5 mm<sup>2</sup>, length max. 500 m  
Topology: serial or parallel

<sup>3</sup> Cable: min. CAT-5

<sup>4</sup> Compatibility of test device with software resp. cloud must be considered - see page for software resp. cloud



## PROGRAMMING

### Logica S Connect:

- System parameters per system<sup>1</sup>
- Test parameters (date, time, cycle) per system<sup>1</sup>
- Operating duration per system<sup>1</sup>, luminaire<sup>1</sup>, supply module<sup>1</sup> and supply device<sup>1</sup> (programming overwrites setting on luminaire, supply module and supply device)
- Switching per luminaire<sup>2</sup> and group<sup>3</sup> (only at maintained mode)
- Free assignment of luminaires<sup>1</sup> to 16 groups per system

### Logica Z:

- System parameters per system<sup>1</sup>
- Test parameters (date, time, cycle) per system or per Logica S Connect
- Switching per system<sup>4</sup> or per Logica S Connect<sup>4</sup> (only at maintained mode)

## INTERFACES

### Logica S Connect:

RS485 bus for communication to

- PC<sup>5</sup>
- Logica Z

DALI bus / Logica interface for communication to

- Luminaires, supply modules and supply devices

LAN (Ethernet), WLAN-AP/STA for communication to

- PC or Smartphone

### Logica Z:

RS485 bus for communication to

- PC<sup>5</sup>
- Logica S Connect
- Building management system over Modbus RTU (RS485)

RS232 bus for communication to

- Printer

LAN (Ethernet), WLAN-AP for communication to

- PC or Smartphone
- Building management system over Modbus TCP (LAN)

2x USB (type A) for

- Download of system configuration
- Download of test results
- Software updates

LTE modem (4G) for communication over

- Mobile radio network<sup>7</sup>

## OPERATION

Operation on the automatic test devices and additionally from a PC / smartphone.

### Logica S Connect:

2 buttons for input and 8 LEDs with alphanumeric labelling for output of all data and parameters.

### Logica Z:

4 buttons for input and colored 2.2" display with graphic and alphanumeric interface for output of all data and parameters, multilingual (depending on installed software).

## TECHNICAL DATA

<b>Housing:</b>	Polycarbonate, grey (RAL 7035)
<b>Dimensions (H x W x D):</b>	90 x 71 x 60 mm (Logica S Connect) 90 x 160 x 75 mm (Logica Z)
<b>Division units:</b>	4 DU (Logica S Connect) 9 DU (Logica Z)
<b>Type of protection:</b>	IP20
<b>Protection class:</b>	II
<b>Mounting:</b>	Distributor installation (DIN rail)
<b>Mains supply:</b>	230 V +/- 10 % / 50-60 Hz
<b>Ambient temperature:</b>	0 °C to +40 °C



# CENTRAL TEST DEVICES LOGICA S CONNECT & LOGICA Z

Automatic test devices, in combination according to DIN EN 62034, for monitoring and control of luminaires, supply modules and supply devices with self-contained supply and integrated Logica interface. Communication between test device Logica S Connect and max. 128 luminaires, supply modules and supply devices with self-contained supply and integrated Logica interface via cable bus according to the DALI standard. Communication between test device Logica Z and max. 31 test devices Logica S Connect via cable bus (RS485). Automatic addressing of the luminaires, supply modules and supply devices.

## FUNCTIONS

### TESTING

- Automatic execution of function and duration tests per system, simultaneous or delayed for the monitoring groups<sup>2</sup>
- Logica S Connect: manual execution of function and duration tests per system, luminaire<sup>1</sup>, supply module<sup>1</sup> and supply device<sup>1</sup> or group<sup>1</sup>
- Logica Z: manual execution of function and duration tests per system or per Logica S Connect

### CONTROL

- Logica S Connect: manual switching (on / off) in mains operation (only at maintained mode) per system<sup>1</sup>, luminaire<sup>1</sup> or group<sup>1</sup>
- Logica Z: manual switching (on / off) in mains operation (only at maintained mode) per system or per Logica S Connect
- Logica S Connect: manual dimming to fixed dimm value in mains operation (only at maintained mode) per system<sup>1</sup>, luminaire<sup>1</sup> or group<sup>1</sup>

### SIGNALLING

- Logica S Connect: faults (lamp, communication fault, battery fault) per system or luminaire<sup>1</sup>, supply module<sup>1</sup> and supply device<sup>1</sup>
- Logica Z: faults (lamp, communication fault, battery fault) per system or per Logica S Connect

### STORAGE

- Logica S Connect: last 4 tests per system resp. luminaire, supply module and supply device
- Logica Z: tests of the last 2 years per system resp. luminaire, supply module and supply device
- Logica S Connect: battery for data retention / operation during mains failure
- Logica Z: battery for data retention

### CONTROL INPUTS AND CONTROL OUTPUTS

- Logica S Connect: 4 control inputs<sup>3</sup> for switching of luminaires or groups (control signal: contact, potential-free)
- Logica S Connect: 1 control input<sup>3</sup> for sub distribution monitoring (control signal: 230 V / 50-60 Hz, 1-phase)
- Logica S Connect: 1 control output<sup>3</sup> for signalling of collective faults (control output: 1 changeover, potential-free)
- Logica Z: 4 control inputs<sup>4</sup> for switching of luminaires or groups (control signal: contact, potential-free)
- Logica Z: 3 control outputs<sup>5</sup> in combination with 1 to 3 fault signalling modules for signalling of collective faults (control output per fault signalling module: 1 changeover, potential-free)



## LOGICA S CONNECT & LOGICA Z FOR DISTRIBUTOR INSTALLATION

<b>Housing:</b>	Polycarbonate, grey (RAL 7035)
<b>Dimensions (H x W x D):</b>	90 x 71 x 60 mm (Logica S Connect) / 90 x 160 x 75 mm (Logica Z)
<b>Division units:</b>	4 DU (Logica S Connect) / 9 DU (Logica Z)
<b>Type of protection:</b>	IP20
<b>Protection class:</b>	II
<b>Mounting:</b>	Distributor installation (DIN rail)
<b>Mains supply:</b>	230 V +/- 10 % / 50-60 Hz
<b>Ambient temperature:</b>	0 °C to +40 °C

Order code	Description
12100C	Logica S Connect for distributor installation (DIN rail)
12131C	Logica Z for distributor installation (DIN rail)



## LOGICA S CONNECT FOR SURFACE WALL MOUNTING

<b>Housing:</b>	Polystyrene, grey (RAL 7035)
<b>Dimensions (H x W x D):</b>	458 x 295 x 129 mm
<b>Type of protection:</b>	IP65
<b>Protection class:</b>	II
<b>Mounting:</b>	Surface wall mounting
<b>Mains supply:</b>	230 V +/- 10 % / 50-60 Hz
<b>Ambient temperature:</b>	0 °C to +40 °C

Order code	Description
12100C-B	Logica S Connect for surface wall mounting



## LOGICA Z FOR SURFACE WALL MOUNTING

<b>Housing:</b>	Polystyrene, grey (RAL 7035)
<b>Dimensions (H x W x D):</b>	458 x 295 x 129 mm
<b>Type of protection:</b>	IP65
<b>Protection class:</b>	II
<b>Mounting:</b>	Surface wall mounting
<b>Mains supply:</b>	230 V +/- 10 % / 50-60 Hz
<b>Ambient temperature:</b>	0 °C to +40 °C

Order code	Description
12131C-B	Logica Z for surface wall mounting, with fault signalling module



## LOGICA S CONNECT & LOGICA Z FOR SURFACE WALL MOUNTING

<b>Housing:</b>	Polystyrene, grey (RAL 7035)
<b>Dimensions (H x W x D):</b>	583 x 295 x 129 mm
<b>Type of protection:</b>	IP65
<b>Protection class:</b>	II
<b>Mounting:</b>	Surface wall mounting
<b>Mains supply:</b>	230 V +/- 10 % / 50-60 Hz
<b>Ambient temperature:</b>	0 °C to +40 °C

Order code	Description
12131C-S-B	Logica S Connect and Logica Z for surface wall mounting, with fault signalling module

<sup>1</sup> Only over software Logica Visual with Logica Z / software B.connect with Logica S Connect / cloud NuBe with Logica S Connect possible.

<sup>2</sup> Monitoring groups: Division of luminaires in the groups "Even" and "Odd". Defined factory-made through the adicity (even or odd) of the hexadecimal device addresses. The definition can be changed over Logica Z and software B.connect / cloud NuBe (programming overwrites factory-made definition on luminaire).

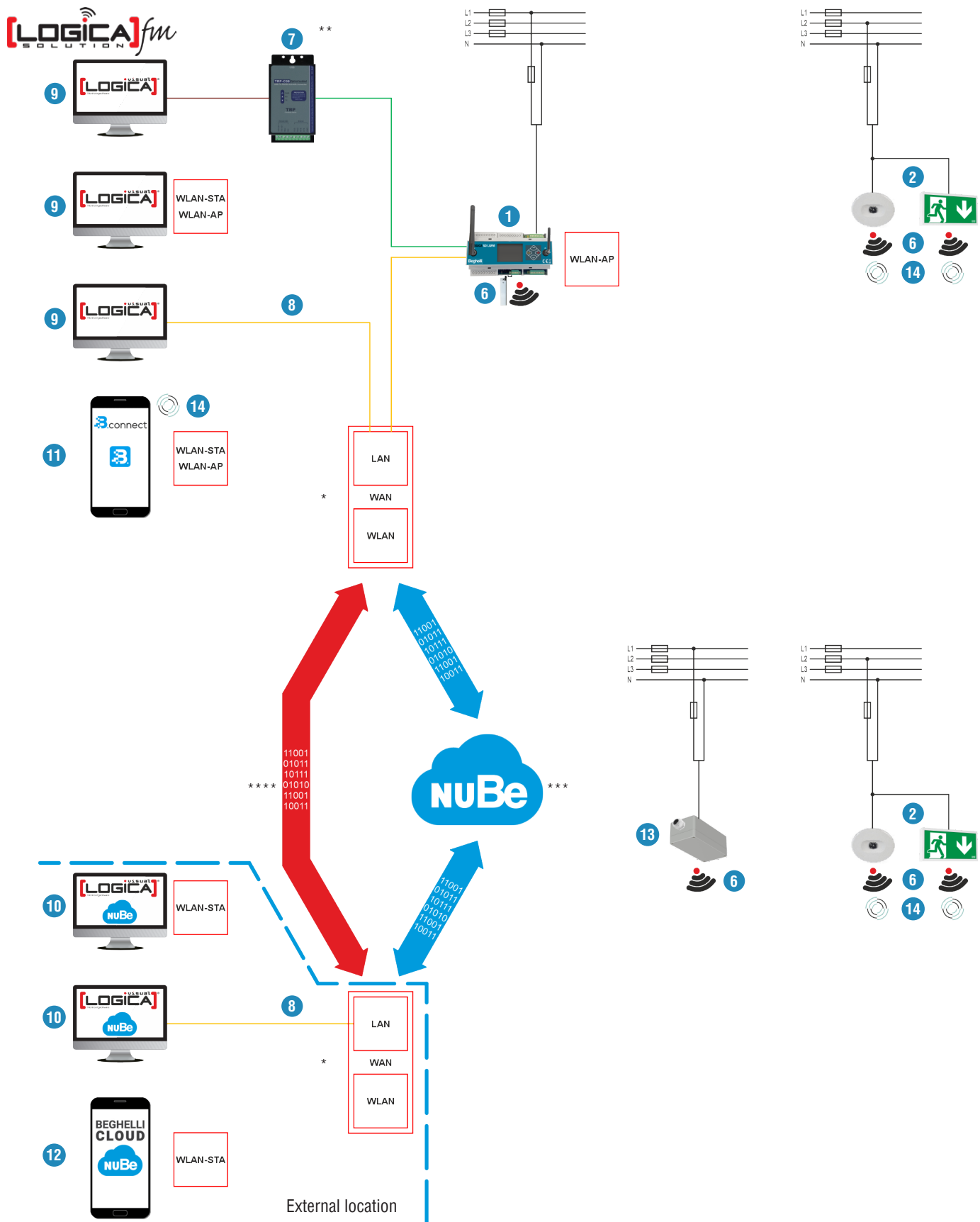
<sup>3</sup> Programmable (software only available for service technicians of Beghelli PRÄZISA Deutschland).

<sup>4</sup> Only programmable over software Real Time Risparmia (software only available for service technicians of Beghelli PRÄZISA Deutschland).

<sup>5</sup> Free programmable over Logica Z and software Real Time Risparmia (software only available for service technicians of Beghelli PRÄZISA Deutschland).

<sup>6</sup> For PC possibly additional interface for conversion from RS485 to USB or LAN (Ethernet) required. For smartphone only indirectly possible through conversion to LAN (Ethernet) with WLAN.

<sup>7</sup> The access to internet (WAN) takes place over the mobile radio network through an access point (APN). The data exchange is realized over a web server from Beghelli.

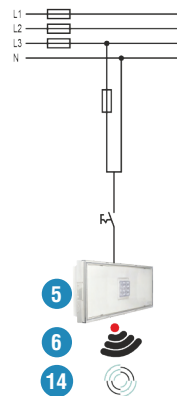
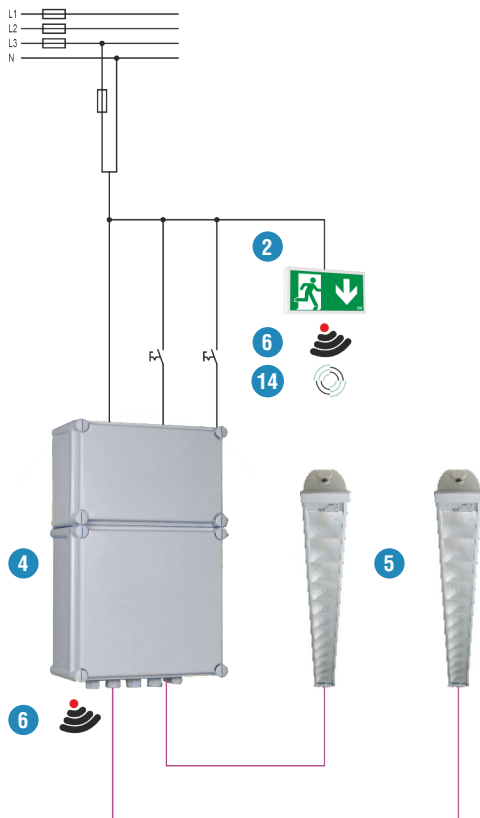
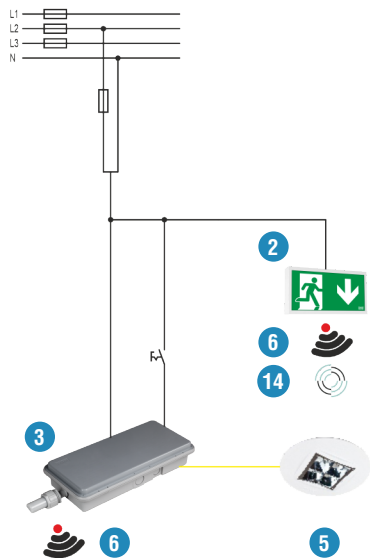
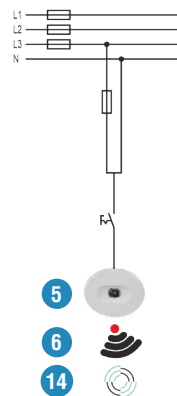
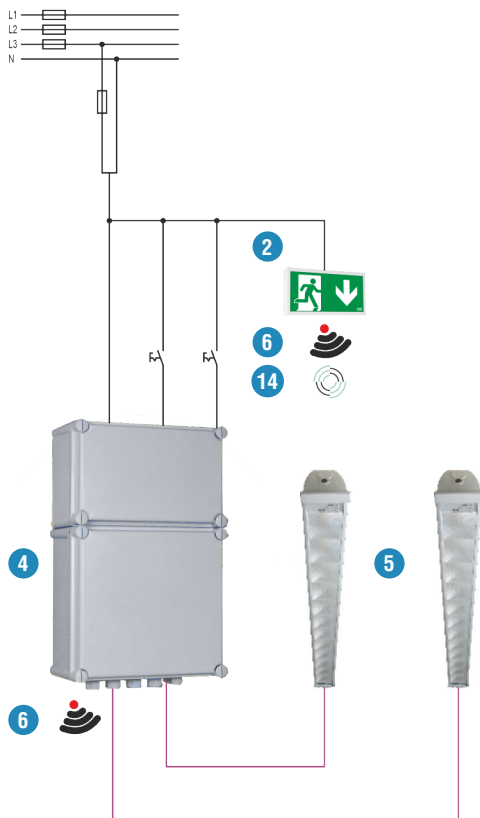
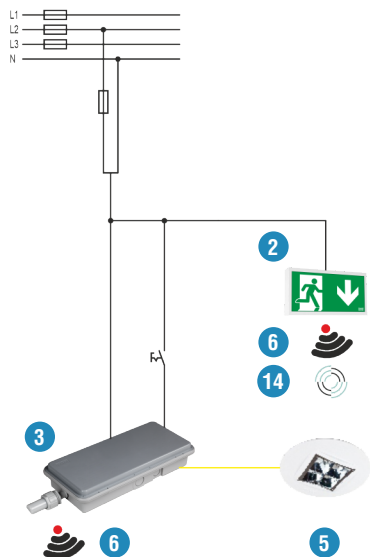


- 1** Test devices Logica FM - 21102
- 2** Escape sign and safety luminaires (FM)
- 3** Supply module (FM)
- 4** Supply device (FM)
- 5** Combined general lighting and safety luminaire (FM)
- 6** Logica FM interface for radio bus (ZigBee®)<sup>1</sup> for max. luminaires / supply modules / supply devices: 320 with 21102

- 230 V AC
- 230 V AC / 230 V AC (rectangular-shaped) / 230 V DC
- RS485
- USB
- Ethernet
- various voltages (mains voltage / lamp voltage)

\* LAN and WLAN with connection to WAN (internet)  
 \*\* Only one interface per test device possible  
 \*\*\* Cloud NuBe on servers of Beghelli  
 \*\*\*\* For remote access over Logica Visual required VPN connection





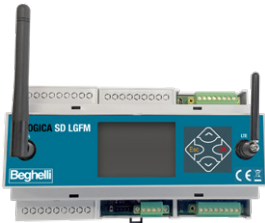
- 7 RS485/USB interface for PC with software Logica Visual<sup>2</sup>
- 8 Ethernet<sup>3</sup>
- 9 PC with software Logica Visual<sup>4</sup>
- 10 PC with software Logica Visual / cloud NuBe<sup>4</sup>
- 11 Smartphone with software B.connect<sup>4</sup>
- 12 Smartphone with cloud NuBe<sup>4</sup>
- 13 Logica FM repeater for amplification of the radio signal
- 14 Optical interface - flashlight of smartphone to light sensor of luminaire (unidirectional)

<sup>1</sup> Maximum distance between Logica FM interface and Logica FM interface: ca. 25 m

<sup>2</sup> Cable (RS485): min. 2 x 2 x 0.8 mm  
Length: max. 1.000 m  
Topology: serial

<sup>3</sup> Cable: min. CAT-5

<sup>4</sup> Compatibility of test device with software resp. cloud must be considered - see page for software resp. cloud



## PROGRAMMING

- System parameters per system<sup>1</sup>
- Test parameters (date, time, cycle) per system
- Operating duration per system, luminaire, supply module and supply device (programming overwrites setting on luminaire, supply module and supply device)
- Switching per luminaire<sup>3</sup> and group<sup>3</sup> (only at maintained mode)
- Free assignment of luminaires to 16 groups per system

## INTERFACES

RS485 bus for communication to

- PC<sup>5</sup>
- Building management system over Modbus RTU (RS485)

RS232 bus for communication to

- Printer

Radio bus / Logica FM interface for communication to

- Luminaires, supply modules and supply devices

LAN (Ethernet), WLAN-AP for communication to

- PC or Smartphone
- Building management system over Modbus TCP (LAN)

2x USB (type A) for

- Download of system configuration
- Download of test results
- Software updates

LTE modem (4G) for communication over

- Mobile radio network<sup>6</sup>

## OPERATION

Operation on the automatic test device or from a PC (option) / smartphone (option).

4 buttons for input and colored 2.2" display with graphic and alphanumeric interface for output of all data and parameters, multilingual (depending on installed software).

## TECHNICAL DATA

<b>Housing:</b>	Polycarbonate, grey (RAL 7035)
<b>Dimensions (H x W x D):</b>	90 x 160 x 75 mm
<b>Division units:</b>	9 DU
<b>Type of protection:</b>	IP20
<b>Protection class:</b>	II
<b>Mounting:</b>	Distributor installation (DIN rail)
<b>Mains supply:</b>	230 V +/- 10 % / 50-60 Hz
<b>Ambient temperature:</b>	0 °C to +40 °C



## CENTRAL TEST DEVICE LOGICA FM

Automatic test device according to DIN EN 62034 for monitoring and control of luminaires, supply modules and supply devices with self-contained supply and integrated Logica FM interface. Communication between test device Logica FM and 320 luminaires max., supply modules and supply devices with self-contained supply and integrated Logica FM interface via radio bus according to the ZigBee® standard. All Logica FM interfaces with integrated repeater. Automatic addressing of the luminaires, supply modules and supply devices.

## FUNCTIONS

### TESTING

- Automatic execution of function and duration tests per system, simultaneous or delayed for the monitoring groups<sup>2</sup>
- Manual execution of function and duration tests per system, luminaire, supply module and supply device or group

### CONTROL

- Manual switching (on / off) in mains operation (only at maintained mode) per system, luminaire or group
- Manual dimming to fixed dimm value in mains operation (only at maintained mode) per system, luminaire or group

### SIGNALLING

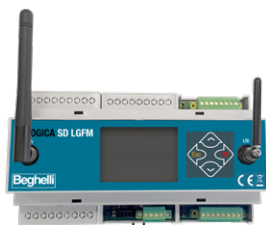
- Faults (lamp, communication fault, battery fault) per system or luminaire, supply module and supply device

### STORAGE

- Tests of the last 2 years per system resp. luminaire, supply module and supply device
- Battery for data retention

### CONTROL INPUTS AND CONTROL OUTPUTS

- 4 control inputs<sup>3</sup> for switching of luminaires or groups (control signal: contact, potential-free)
- 3 control outputs<sup>4</sup> in combination with 1 to 3 fault signalling modules for signalling of collective faults (control output per fault signalling module: 1 changeover, potential-free)



## LOGICA FM FOR DISTRIBUTOR INSTALLATION

<b>Housing:</b>	Polycarbonate, grey (RAL 7035)
<b>Dimensions (H x W x D):</b>	90 x 160 x 75 mm
<b>Division units:</b>	9 DU
<b>Type of protection:</b>	IP20
<b>Protection class:</b>	II
<b>Mounting:</b>	Distributor installation (DIN rail)
<b>Mains supply:</b>	230 V +/- 10 % / 50-60 Hz
<b>Ambient temperature:</b>	0 °C to +40 °C

Order code	Description
21102	Logica FM for distributor installation (DIN rail)



## LOGICA FM FOR SURFACE WALL MOUNTING

<b>Housing:</b>	Polystyrene, grey (RAL 7035)
<b>Dimensions (H x W x D):</b>	458 x 295 x 129 mm
<b>Type of protection:</b>	IP65
<b>Protection class:</b>	II
<b>Mounting:</b>	Surface wall mounting
<b>Mains supply:</b>	230 V +/- 10 % / 50-60 Hz
<b>Ambient temperature:</b>	0 °C to +40 °C

Order code	Description
21102-B	Logica FM for surface wall mounting, with fault signalling module

<sup>1</sup> Only over software Logica Visual / software B.connect / cloud NuBe possible.

<sup>2</sup> Monitoring groups: Division of luminaires in the groups "Even" and "Odd". Defined factory-made through the adicity (even or odd) of the hexadecimal device addresses. The definition can be changed over Logica FM and software B.connect / cloud NuBe (programming overwrites factory-made definition on luminaire).

<sup>3</sup> Only programmable over software SD Manager.

<sup>4</sup> Free programmable over Logica FM and software SD Manager.

<sup>5</sup> For PC possibly additional interface for conversion from RS485 to USB or LAN (Ethernet) required. For smartphone only indirectly possible through conversion to LAN (Ethernet) with WLAN.

<sup>6</sup> The access to internet (WAN) takes place over the mobile radio network through an access point (APN). The data exchange is realized over a web server from Beghelli.



## FAULT SIGNALLING MODULE

Module for connection to automatic test devices. External passing of a collective fault.

<b>Signalling output:</b>	Changeover, potential-free (250 V / 5 A)
<b>Housing:</b>	Polycarbonate, grey (RAL 7035)
<b>Dimensions (H x W x D):</b>	95 x 48 x 42 mm
<b>Type of protection:</b>	IP20
<b>Protection class:</b>	II
<b>Mounting:</b>	DIN rail
<b>Ambient temperature:</b>	0 °C to +40 °C
<b>Compatible test devices:</b>	Logica S Connect (12100C) Logica Z (12131C) Logica FM (21102)

Order code	Description
G31305	Fault signalling module



## RS485/ETHERNET INTERFACE

Module for communication with central test devices over network with choice of 10 Mbit/s (10BaseT) or 100 Mbit/s (100BaseT). Is required, if a second network connection is desired per test device or if several test devices are connected over RS485 and should be monitored and controlled on a common network connection. The compatibility of the test device with the chosen software resp. cloud must be considered - see page for software resp. cloud.

<b>Scope of delivery:</b>	1 x mains adaptor, 1 x mounting adaptor for DIN rail, 1 x adaptor plug (DE-9 <-> plug terminals)
<b>Housing:</b>	Plastic
<b>Dimensions (H x W x D):</b>	90 x 48 x 25 mm
<b>Type of protection:</b>	IP20
<b>Protection class:</b>	II
<b>Mounting:</b>	DIN rail or surface wall mounting
<b>Compatible test devices:</b>	Logica S Connect (12100C) Logica Z (12131C) Logica FM (21102)

Order code	Description
17223	RS485/Ethernet interface



## RS485/USB INTERFACE

Module for communication with central test devices over USB. The compatibility of the test device with the chosen software must be considered - see page for software.

<b>Scope of delivery:</b>	1x mounting adaptor for DIN rail, 1x USB cable
<b>Housing:</b>	Metal
<b>Dimensions (H x W x D):</b>	151 x 75 x 26 mm
<b>Type of protection:</b>	IP20
<b>Protection class:</b>	III
<b>Mounting:</b>	DIN rail or surface wall mounting
<b>Compatible test devices:</b>	Logica S Connect (12100C) Logica Z (12131C) Logica FM (21102)

Order code	Description
16319	RS485/USB interface

## PRINTER

Printer for connection to central test devices. Printout of fault messages and test results.



<b>Paper type:</b>	Thermal paper
<b>Housing:</b>	Plastic, black
<b>Dimensions (H x W x D):</b>	85 x 85 x 57 mm
<b>Type of protection:</b>	IP20
<b>Protection class:</b>	I
<b>Mounting:</b>	DIN rail
<b>Compatible test devices:</b>	Logica Z (12131C) Logica FM (21102)

Order code	Description
16302	Printer

## FM REPEATER



Repeater for Logica FM. Amplification of the radio signal on respective position in the radio network. Integrated Logica FM interface according to the ZigBee® standard.



<b>Housing:</b>	Polycarbonate, grey (RAL 7035)
<b>Dimensions (H x W x D):</b>	80 x 160 x 60 mm
<b>Type of protection:</b>	IP66
<b>Protection class:</b>	II
<b>Mounting:</b>	Surface wall mounting or surface ceiling mounting
<b>Mains supply:</b>	198 V–254 V / 50 Hz
<b>Ambient temperature:</b>	0 °C to +40 °C
<b>Battery:</b>	LIFE 6.4 V / 1.5 Ah
<b>Compatible test devices:</b>	Logica FM (21102)

Order code	Description
16321	FM repeater



Order code	Description
12139	Logica Visual

## PROGRAMMING

- Import of layout plans as DXF/DWG file
- Textual and graphical assignment of all systems, circuits and luminaires resp. luminaires, supply devices and supply modules
- System parameters per system
- Operating mode per circuit or luminaire (decentral and central supply)
- Switching per circuit or luminaire (decentral and central supply)
- Operating mode resp. switching per luminaire or supply device (self-contained supply, only at maintained mode)
- Test parameters per system
  - date
  - time
  - duration
  - cycle
- Free assignment of luminaires to groups per system (decentral supply Sicuro24, central supply Sicuro230 and self-contained supply)
- 3 programmable time functions (time switches) each for all 7 weekdays with 5 switch-on times per week day (decentral and central supply)
- Configuration of control inputs (self-contained supply – Logica S, 16300)

## COMPATIBILITY

- Systems with self-contained supply
 

Autotest:	no
CableCom Connect (20151):	no
Logica S Connect (12100C):	yes
Logica S Connect (12100C) + Logica Z (12131C):	yes
Logica FM (21102):	yes
- Systems with decentral supply
 

NGB:	yes
Sicuro24:	yes
- Systems with central supply
 

NZB:	yes
Sicuro230:	yes
- Systems with general lighting
 

Smart Lighting:	no
-----------------	----

## LOGICA VISUAL Monitoring and control software

Software for central monitoring and control of complex safety lightings with self-contained supply, decentral or central supply. Developed for use with desktop computers and laptops. Ideal for application in a building management system as well as for maintenance of the systems. High downward compatibility for older automatic test devices.

Version for Windows XP (32 / 64 Bit), Windows VISTA (32 / 64 Bit), Windows 7 (32 / 64 Bit), Windows 8 (32 / 64 Bit), Windows 10 (32 / 64 Bit) and Windows 11

Documented software version: 5.4.19

## FUNCTIONS

### MONITORING

- automatic or manual execution of a function test
- automatic or manual execution of a duration test

### CONTROL

- manual switching (on / off) of the maintained mode in mains operation per system (decentral and central supply)
- manual switching (on / off) of the maintained mode in mains operation per luminaire and supply device (self-contained supply)

### SIGNALLING

- current status in online mode in graphical and numerical format per luminaire (decentral and central supply)
  - operating mode resp. switching
  - faults
  - tests
- current status in online mode in graphical and numerical format per luminaire, supply device and supply module (self-contained supply)
  - operational condition
  - operating mode resp. switching
  - faults
  - tests
- faults in online mode per luminaire (decentral and central supply)
  - lamp
  - communication fault
- faults in online mode per luminaire, supply device and supply module (self-contained supply)
  - lamp
  - communication fault
  - battery fault
- tests of the last 2 years per system (decentral and central supply)
- tests per system depending on used test device (self-contained supply)



## B.CONNECT Monitoring and control software

Software for local monitoring and control of complex safety lightings with self-contained supply as well as for equipment for room air cleaning from the SanificaAria series. Developed for use with smartphones and tablets. Ideal for application on site with quick access to single equipment or to automatic test devices. The optical interface used by B.connect (per flashlight of the smartphone camera, unidirectional) is not compatible with luminaires which are equipped with the Opticom interface.

Version for Android starting from 5.0 and iOS starting from 11.0

Documented software version: 2.4.9 / Build 2490

Order code	Description
-	B.connect



### PROGRAMMING

- Cooperation mode with NuBe
- System parameters per system
- Operating mode resp. switching per luminaire or supply device (self-contained supply, only at maintained mode)
- Test parameters per system (self-contained supply)
  - date
  - time
  - duration
  - cycle
- Binary division of all luminaires, supply devices and supply modules in the monitoring groups „Even“ and „Odd“ per system (self-contained supply)
- Disinfection times per equipment (SanificaAria)

### COMPATIBILITY

- Systems with self-contained supply
 

Autotest:	yes
CableCom Connect (20151):	yes
Logica S Connect (12100C):	yes
Logica S Connect (12100C) + Logica Z (12131C):	no
Logica FM (21102):	yes
- Systems with decentral supply
 

NGB:	no
Sicuro24:	no
- Systems with central supply
 

NZB:	no
Sicuro230:	no
- Systems with general lighting
 

Smart Lighting:	no
-----------------	----

### FUNCTIONS

#### MONITORING - DECENTRAL TEST DEVICE AUTOTEST

- manual execution of a function test

#### MONITORING - CENTRAL TEST DEVICES

- automatic or manual execution of a function test
- automatic or manual execution of a duration test

#### CONTROL

- manual switching (on / off) of the maintained mode in mains operation per luminaire and supply device (self-contained supply)
- manual switching (on / off) of the room air cleaning per equipment (SanificaAria)
- manual selection (in 3 steps) of the fan speed of the room air cleaning per equipment (SanificaAria)

#### SIGNALLING - CENTRAL TEST DEVICES

- current status in online mode in graphical and numerical format per luminaire, supply device and supply module (self-contained supply)
  - operational condition
  - operating mode resp. switching
  - faults
  - tests
- faults in online mode per luminaire, supply device and supply module (self-contained supply)
  - lamp
  - communication fault
  - battery fault
- tests per system depending on used test device (self-contained supply)



Order code	Description
20109	SD Manager

## PROGRAMMING

- Import of layout plans as DXF/DWG file
- Textual and graphical assignment of all luminaires, supply devices and supply modules
- System parameters per system
- Operating mode resp. switching per luminaire or supply device (only at maintained mode)
- Test parameters per system (self-contained supply)
  - date
  - time
  - duration
  - cycle
- Free assignment of luminaires to groups per system
- Configuration of control inputs and control outputs (self-contained supply)
- Sensor management per equipment (general lighting with Smart Lighting)

## COMPATIBILITY

- Systems with self-contained supply
 

Autotest:	no
CableCom Connect (20151):	no
Logica S Connect (12100C):	no
Logica S Connect (12100C) + Logica Z (12131C):	no
Logica FM (21102):	yes
- Systems with decentral supply
 

NGB:	no
Sicuro24:	no
- Systems with central supply
 

NZB:	no
Sicuro230:	no
- Systems with general lighting
 

Smart Lighting:	yes
-----------------	-----

## SD MANAGER Programming and analysis software

Software for central programming and analysis of complex safety lightings with self-contained supply and general lightings with Smart Lighting. Developed for use with desktop computers and laptops. Ideal for application at the commissioning as well as for failure search and maintenance of the systems.

Version for Windows XP (32 / 64 Bit), Windows VISTA (32 / 64 Bit), Windows 7 (32 / 64 Bit), Windows 8 (32 / 64 Bit), Windows 10 (32 / 64 Bit) and Windows 11

Documented software version: 2.67.0

## FUNCTIONS

### MONITORING

- automatic or manual execution of a function test (self-contained supply)
- automatic or manual execution of a duration test (self-contained supply)

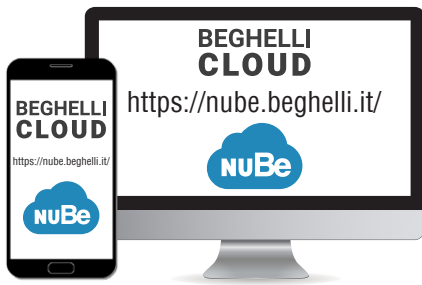
### CONTROL

- manual switching (on / off) of the maintained mode in mains operation per luminaire and supply device

### SIGNALLING

- current status in online mode in graphical and numerical format per luminaire, supply device and supply module
  - operational condition
  - operating mode resp. switching
  - faults
  - tests (self-contained supply)
- faults in online mode per luminaire, supply device and supply module
  - lamp
  - communication fault
  - battery fault (self-contained supply)
- tests per system depending on used test device (self-contained supply)
- Energy management per luminaire (general lighting with Smart Lighting)
  - current power
  - possible power at minimal dimming
  - possible power at maximal dimming
  - operating hours
  - Energy consumption related to operating hours
  - Energy saving after renovation with new installed luminaire, related to manual entered power of the previously installed luminaire





## NUBE Cloud

Cloud for central monitoring and control of complex safety lightings with self-contained supply as well as for equipment for room air cleaning from the SanificaAria series. Developed for use with desktop computers, laptops, smartphones and tablets. Ideal for application from an external location, a building management system as well as for maintenance of the systems with quick access to single equipment or to automatic test devices.

Version for Android starting from 5.0, iOS starting from 11.0, Windows 10 (32 / 64 Bit) and Windows 11

Documented software version: 01.01 22-04-21



Order code	Description
-	NuBe (Basic), costless
NUBE01	NuBe PRO (Professional), license for <u>one</u> central test device for <u>1 year</u>
NUBE02	NuBe PRO (Professional), license for <u>one</u> central test device for <u>2 years</u>
NUBE03	NuBe PRO (Professional), license for <u>one</u> central test device for <u>3 years</u>
NUBE04	NuBe PRO (Professional), license for <u>one</u> central test device for <u>4 years</u>
NUBE05	NuBe PRO (Professional), license for <u>one</u> central test device for <u>5 years</u>
NUBE06	NuBe PRO (Professional), license for <u>one</u> central test device for <u>6 years</u>
NUBE07	NuBe PRO (Professional), license for <u>one</u> central test device for <u>7 years</u>
NUBE08	NuBe PRO (Professional), license for <u>one</u> central test device for <u>8 years</u>
NUBE09	NuBe PRO (Professional), license for <u>one</u> central test device for <u>9 years</u>
NUBE10	NuBe PRO (Professional), license for <u>one</u> central test device for <u>10 years</u>

### PROGRAMMING

- Cooperation mode with B.connect
- Import of layout plans and photos as JPEG file
- Textual and graphical assignment of all luminaires, supply devices and supply modules
- System parameters per system
- Operating mode resp. switching per luminaire or supply device (self-contained supply, only at maintained mode)
- Test parameters per system (self-contained supply)
  - date
  - time
  - duration
  - cycle
- Free assignment of luminaires to groups per system (self-contained supply)
- Disinfection times per equipment (SanificaAria)

### COMPATIBILITY

- Systems with self-contained supply
 

Autotest:	no
CableCom Connect (20151):	yes
Logica S Connect (12100C):	yes
Logica S Connect (12100C) + Logica Z (12131C):	no
Logica FM (21102):	yes
- Systems with decentral supply
 

NGB:	no
Sicuro24:	no
- Systems with central supply
 

NZB:	no
Sicuro230:	no
- Systems with general lighting
 

Smart Lighting:	no
-----------------	----

## FUNCTIONS

### MONITORING

- automatic or manual execution of a function test
- automatic or manual execution of a duration test

### CONTROL

- manual switching (on / off) of the maintained mode in mains operation per luminaire and supply device (self-contained supply)
- manual switching (on / off) of the room air cleaning per equipment (SanificaAria)
- manual selection (in 3 steps) of the fan speed of the room air cleaning per equipment (SanificaAria)

### SIGNALLING

- current status in online mode in graphical and numerical format per luminaire, supply device and supply module (self-contained supply)
  - operational condition
  - operating mode resp. switching
  - faults
  - tests
- faults in online mode per luminaire, supply device and supply module (self-contained supply)
  - lamp
  - communication fault
  - battery fault

- with use of NuBe (Basic): automatic tests of the last 12 months per system

- with use of NuBe PRO (Professional): automatic tests without limitation per system

#### Order procedure for NuBe PRO:

1. Release order with order code for the desired duration of the subscription (in years). The order quantity regarding the selected order code depends on the quantity of central test devices per installation.  
Example:  
For an installation with 3 central test devices and a desired subscription duration of 5 years, NUBE05 must be ordered 3x.
2. Upon order the installation designation, the town of the installation and a valid e-mail address must be stated, to which the activation key should be sent.  
Example:  
Luminaire factory Ltd. – Storehouse 01 / Dinslaken / admin@luminairefactory.de
3. Beghelli PRÄZISA Deutschland sends an invoice regarding the order. The activation key which must be entered in the cloud NuBe will be send to the previously stated e-mail address after payment. NuBe PRO is afterwards ready for the use.

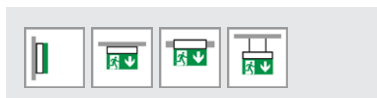


## PLEXI LED

Housing in flat design made of sheet steel and frameless display with integrated light guide panel made of clear plastic. Homogeneous light distribution for realization of an optimal illumination of the escape sign. 1- or 2-sided escape route indication through exchangeable escape sign foils.

Versions for surface wall and ceiling mounting, recessed ceiling mounting as wire pendulum (in hollow ceilings) and wire pendulum (surface ceiling mounting) and with additional accessories for recessed ceiling mounting (in massive ceilings) and bracket

### MOUNTING TYPES



### MOUNTING TYPES WITH ACCESSORIES



### TECHNICAL DATA

<b>Housing:</b>	Sheet steel, white (RAL 9010)	<b>Color stability:</b>	3 SDCM
<b>Display pane:</b>	Light guide panel (display pane) / Polycarbonate (foil, printed)	<b>Color temperature:</b>	5.000 K
<b>Service life <math>L_{90B_{20}}</math>:</b>	50.000 h	<b>Color rendering index:</b>	80
		<b>Optic interface:</b>	LIFE



**Commissioning:** For Autotest, operating duration, operating mode PS, monitoring group and test duration are only programmable per app B.connect over smartphone locally on luminaire.

### SELF-CONTAINED SUPPLY

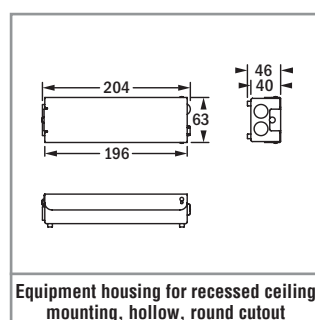
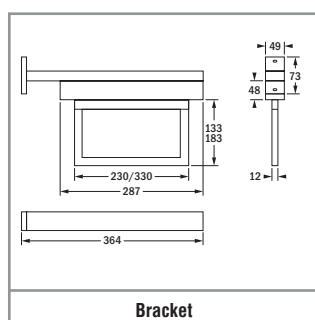
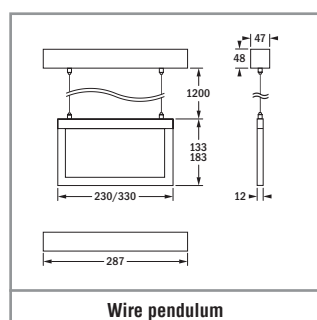
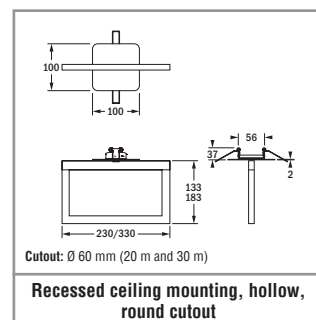
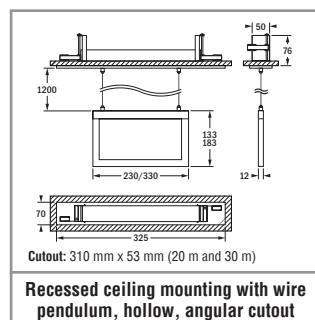
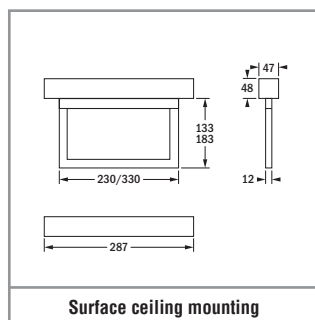
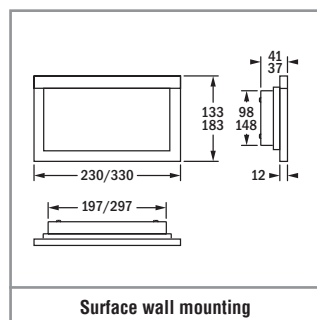
<b>Mains supply:</b>	198 V – 254 V / 50 Hz
<b>Switching:</b>	Maintained and non-maintained
<b>Ambient temperature:</b>	0 °C to +40 °C
<b>Protection class:</b>	II for recessed ceiling mounting with round cutout, I for all other mounting types

### DECENTRAL SUPPLY

<b>Mains supply:</b>	24 V +/- 20 % DC
<b>Battery supply:</b>	24 V +/- 20 % DC
<b>Ambient temperature:</b>	-20 °C to +40 °C
<b>Protection class:</b>	III

### CENTRAL SUPPLY

<b>Mains supply:</b>	198 V – 254 V / 50 Hz
<b>Battery supply:</b>	176 V – 276 V
<b>Ambient temperature:</b>	-20 °C to +40 °C
<b>Protection class:</b>	II for recessed ceiling mounting with round cutout, I for all other mounting types
<b>Mains supply (alt.):</b>	90 V – 254 V / 50/60 Hz
<b>Battery supply (alt.):</b>	90 V – 276 V



Autotest / CableCom Order code	Logica Order code	Logica FM Order code		LED 	t 		S~ 
Surface wall mounting (1-sided escape route indication)							
37150	37151	37152	20 m	32	1 h / 3 h / 8 h	LIFE 6.4 V / 1.5 Ah	8 VA
37153	37154	37155	30 m	48	1 h / 3 h / 8 h	LIFE 6.4 V / 1.5 Ah	8 VA
Surface ceiling mounting (2-sided escape route indication) <sup>1</sup>							
37144	37145	37146	20 m	32	1 h / 3 h / 8 h	LIFE 6.4 V / 1.5 Ah	8 VA
37147	37148	37149	30 m	48	1 h / 3 h / 8 h	LIFE 6.4 V / 1.5 Ah	8 VA
Recessed ceiling mounting with wire pendulum, angular cutout (2-sided escape route indication)							
37138	37139	37140	20 m	32	1 h / 3 h / 8 h	LIFE 6.4 V / 1.5 Ah	8 VA
37141	37142	37143	30 m	48	1 h / 3 h / 8 h	LIFE 6.4 V / 1.5 Ah	8 VA
Recessed ceiling mounting, round cutout (2-sided escape route indication)							
37180	37182	37243	20 m	32	1 h / 3 h / 8 h	LIFE 6.4 V / 1.5 Ah	8 VA
37181	37242	37244	30 m	48	1 h / 3 h / 8 h	LIFE 6.4 V / 1.5 Ah	8 VA
Wire pendulum (2-sided escape route indication) <sup>2</sup>							
37132	37133	37134	20 m	32	1 h / 3 h / 8 h	LIFE 6.4 V / 1.5 Ah	8 VA
37135	37136	37137	30 m	48	1 h / 3 h / 8 h	LIFE 6.4 V / 1.5 Ah	8 VA

**SICURO** LED DECENTRAL SUPPLY

Sicuro24 Order code		LED 	P= 
Surface wall mounting (1-sided escape route indication)			
32081	20 m	32	2.9 W
32082	30 m	48	4.3 W
Surface ceiling mounting (2-sided escape route indication) <sup>1</sup>			
32079	20 m	32	2.9 W
32080	30 m	48	4.3 W
Recessed ceiling mounting with wire pendulum, angular cutout (2-sided escape route indication)			
32077	20 m	32	2.9 W
32078	30 m	48	4.3 W
Recessed ceiling mounting, round cutout (2-sided escape route indication)			
32113	20 m	32	2.9 W
32114	30 m	48	4.3 W
Wire pendulum (2-sided escape route indication) <sup>2</sup>			
32075	20 m	32	2.9 W
32076	30 m	48	4.3 W

**SICURO** LED CENTRAL SUPPLY

Sicuro230 Order code		LED 	S~ 	P= 
Surface wall mounting (1-sided escape route indication)				
31110	20 m	32	7.4 VA / 3.5 W	
31111	30 m	48	9.4 VA / 4.7 W	
Surface ceiling mounting (2-sided escape route indication) <sup>1</sup>				
31108	20 m	32	7.4 VA / 3.5 W	
31109	30 m	48	9.4 VA / 4.7 W	
Recessed ceiling mounting with wire pendulum, angular cutout (2-sided escape route indication)				
31106	20 m	32	7.4 VA / 3.5 W	
31107	30 m	48	9.4 VA / 4.7 W	
Recessed ceiling mounting, round cutout (2-sided escape route indication)				
31138	20 m	32	7.4 VA / 3.5 W	
31139	30 m	48	9.4 VA / 4.7 W	
Wire pendulum (2-sided escape route indication) <sup>2</sup>				
31104	20 m	32	7.4 VA / 3.5 W	
31105	30 m	48	9.4 VA / 4.7 W	

<sup>1</sup> Please order additional required accessories for recessed ceiling mounting (in massive ceilings) and bracket separately.

<sup>2</sup> Please order additional required accessories for recessed ceiling mounting (in massive ceilings) separately.

Please order escape sign accessories separately

Order code	Description	
VD 20 m	VD 30 m	
16772	16781	Escape sign foil
16773	16782	Escape sign foil
16774	16783	Escape sign foil
16775	16784	Escape sign foil
16776	16785	Escape sign foil EXIT
16777	16786	Escape sign foil <EXIT
16778	16787	Escape sign foil EXIT

Included in scope of delivery

Order code	Description	
VD 20 m	VD 30 m	
16770	16779	Kit of escape sign foils one-sided indication
16771	16780	Kit of escape sign foils double-sided indication

Please order accessories separately

Order code	Description	
VD 20 m	VD 30 m	
F95944	F95944	Bracket
F95962	F95963	Recessed mounting set for massive ceilings (concrete-cast housing), for surface ceiling mounting and wire pendulum (only as surface ceiling mounting)



## DISPOS EVO

Housing in angular design made of sheet steel or stainless sheet steel in universal versions. 1- or 2-sided escape route indication through exchangeable display panes.

Versions for surface wall and ceiling mounting and with additional accessories for recessed ceiling mounting, pendulum and bracket

### MOUNTING TYPES



### MOUNTING TYPES WITH ACCESSORIES



### TECHNICAL DATA

**Housing:** Sheet steel, white (RAL 9010)  
stainless sheet steel, V2A  
**Display pane:** PMMA, printed  
**Service life  $L_{80}B_{20}$ :** 50.000 h

**Color stability:** 3 SDCM  
**Color temperature:** 4.000 K  
**Color rendering index:** 80  
**Optic interface:** LIFE, LIFE ECO



**Commissioning:** For Autotest, operating duration, operating mode PS, monitoring group and test duration are only programmable per app B.connect over smartphone locally on luminaire.

### SELF-CONTAINED SUPPLY

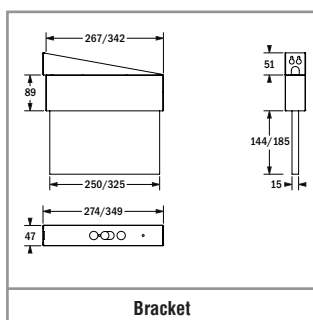
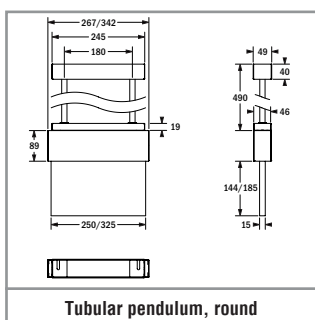
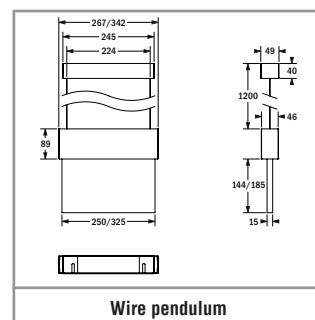
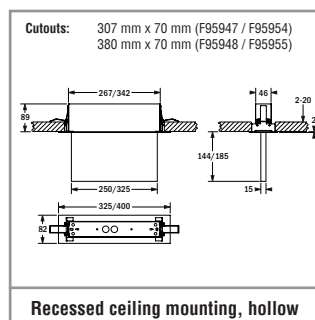
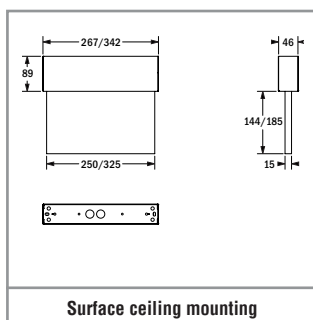
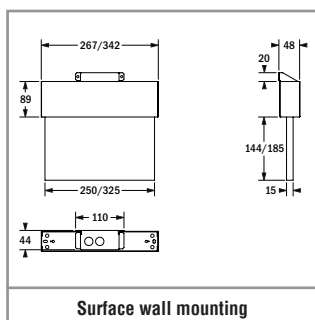
**Mains supply:** 198 V – 254 V / 50 Hz  
**Switching:** Maintained and non-maintained  
**Ambient temperature:** 0 °C to +40 °C  
**Protection class:** I

### DECENTRAL SUPPLY

**Mains supply:** 24 V +/- 20 % DC  
**Battery supply:** 24 V +/- 20 % DC  
**Ambient temperature:** -20 °C to +40 °C  
**Protection class:** III

### CENTRAL SUPPLY

**Mains supply:** 198 V – 254 V / 50 Hz  
**Battery supply:** 176 V – 276 V  
**Ambient temperature:** -20 °C to +40 °C  
**Protection class:** I  
**Mains supply (alt.):** 90 V – 254 V / 50/60 Hz  
**Battery supply (alt.):** 90 V – 276 V



## LIFE SELF-CONTAINED SUPPLY

10 YEARS GUARANTEE

Autotest / CableCom Order code	Logica Order code	Logica FM Order code					
-----------------------------------	----------------------	-------------------------	--	--	--	--	--

Housing white

Surface wall mounting (1-sided escape route indication), surface ceiling mounting (2-sided escape route indication)<sup>1</sup>

37000	37001	37002	22 m	24	1 h / 3 h / 8 h	LIFE 6.4 V / 1.5 Ah	8 VA
37006	37007	37008	30 m	48	1 h / 3 h / 8 h	LIFE 6.4 V / 1.5 Ah	8 VA

Housing V2A

Surface wall mounting (1-sided escape route indication), surface ceiling mounting (2-sided escape route indication)<sup>1</sup>

37003	37004	37005	22 m	24	1 h / 3 h / 8 h	LIFE 6.4 V / 1.5 Ah	8 VA
37009	37010	37011	30 m	48	1 h / 3 h / 8 h	LIFE 6.4 V / 1.5 Ah	8 VA

## LIFE ECO SELF-CONTAINED SUPPLY

5 YEARS GUARANTEE

Autotest / CableCom Order code	Logica Order code	Logica FM Order code					
-----------------------------------	----------------------	-------------------------	--	--	--	--	--

Housing white

Surface wall mounting (1-sided escape route indication), surface ceiling mounting (2-sided escape route indication)<sup>1</sup>

36000	36001	36002	22 m	24	1 h / 3 h / 8 h	LIFE 6.4 V / 1.5 Ah	8 VA
36006	36007	36008	30 m	48	1 h / 3 h / 8 h	LIFE 6.4 V / 1.5 Ah	8 VA

Housing V2A

Surface wall mounting (1-sided escape route indication), surface ceiling mounting (2-sided escape route indication)<sup>1</sup>

36003	36004	36005	22 m	24	1 h / 3 h / 8 h	LIFE 6.4 V / 1.5 Ah	8 VA
36009	36010	36011	30 m	48	1 h / 3 h / 8 h	LIFE 6.4 V / 1.5 Ah	8 VA

## SICURO<sup>®</sup> DECENTRAL SUPPLY

Sicuro24 Order code			
------------------------	--	--	--

Housing white

Surface wall mounting (1-sided escape route indication), surface ceiling mounting (2-sided escape route indication)<sup>1</sup>

32000	22 m	24	2.2 W
32002	30 m	48	4.3 W

Housing V2A

Surface wall mounting (1-sided escape route indication), surface ceiling mounting (2-sided escape route indication)<sup>1</sup>

32001	22 m	24	2.2 W
32003	30 m	48	4.3 W

## SICURO<sup>®</sup> CENTRAL SUPPLY

Sicuro230 Order code				
-------------------------	--	--	--	--

Housing white

Surface wall mounting (1-sided escape route indication), surface ceiling mounting (2-sided escape route indication)<sup>1</sup>

31000	22 m	24	5.8 VA / 2.5 W
31002	30 m	48	9.4 VA / 4.7 W

Housing V2A

Surface wall mounting (1-sided escape route indication), surface ceiling mounting (2-sided escape route indication)<sup>1</sup>

31001	22 m	24	5.8 VA / 2.5 W
31003	30 m	48	9.4 VA / 4.7 W

<sup>1</sup> Please order additional required accessories for recessed ceiling mounting, pendulum and bracket separately.

<sup>2</sup> One-sided escape sign display panes and safety sign panes: Backside untransparent (white).

Two-sided escape sign display panes: Frontside corresponds to designation of arrow direction. Backside transparent (mirrored escape route indication and company logo).

### Please order escape sign accessories separately<sup>2</sup>

Order code	Description	
VD 22 m	VD 30 m	
E16260M	E16128M	Escape sign display pane, down (one-sided)
E16263M	E16132M	Escape sign display pane, up (one-sided)
E16261M	E16129M	Escape sign display pane, right (two-sided)
E16262M	E16130M	Escape sign display pane, left (two-sided)
E16310M	E16318M	Escape sign display pane, right down (two-sided)
E16311M	E16319M	Escape sign display pane, right up (two-sided)
E16312M	E16320M	Escape sign display pane, left down (two-sided)
E16313M	E16321M	Escape sign display pane, left up (two-sided)
-	E16435	F001 safety sign pane fire extinguisher (one-sided)
-	E16436	F002 safety sign pane extinguishing hose (one-sided)
-	E16437	F005 safety sign pane fire detector (one-sided)

### Included in scope of delivery

Order code	Description	
VD 22 m	VD 30 m	
F95951	F95951	Holder for surface wall mounting, white
F95958	F95958	Holder for surface wall mounting, V2A

### Please order accessories separately

Order code	Description	
VD 22 m	VD 30 m	
F95947	F95948	Recessed mounting set for hollow ceilings, white
F95954	F95955	Recessed mounting set for hollow ceilings, V2A
F95946	F95946	Wire pendulum, max. 1.200 mm, white
F95953	F95953	Wire pendulum, max. 1.200 mm, V2A
F95949	F95950	Bracket, white
F95956	F95957	Bracket, V2A
F95945	F95945	Tubular pendulum, round, 500 mm, white
F95952	F95952	Tubular pendulum, round, 500 mm, V2A
F95959	F95960	Recessed mounting set for massive ceilings (concrete-cast housing)

## PIANA LED



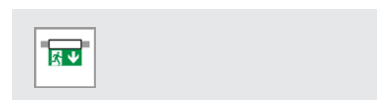
Escape sign luminaire with angular housing, frame display and light guide panel. 1- or 2-sided escape route indication through exchangeable escape sign foils.

Versions for surface wall and ceiling mounting and wire pendulum and with additional accessories for recessed ceiling mounting

### MOUNTING TYPES



### MOUNTING TYPES WITH ACCESSORIES



### TECHNICAL DATA

<b>Housing:</b>	ABS, white (RAL 9003)	<b>Color stability:</b>	3 SDCM
<b>Frame:</b>	ABS, white (RAL 9003)	<b>Color temperature:</b>	5.700 K
<b>Display pane:</b>	PMMA (display pane) Polycarbonate (foil, printed)	<b>Color rendering index:</b>	80
<b>Service life <math>L_{50}B_{50}</math>:</b>	50.000 h	<b>Optic interface:</b>	LIFE



**Commissioning:** For Autotest, operating duration, operating mode PS, monitoring group and test duration are only programmable per app B.connect over smartphone locally on luminaire.

### SELF-CONTAINED SUPPLY

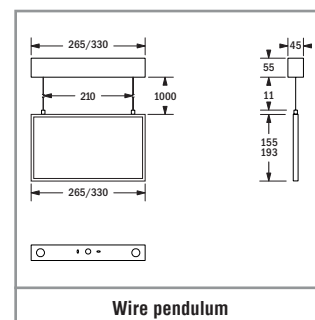
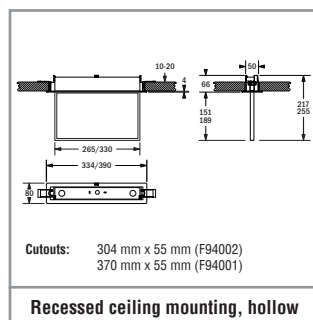
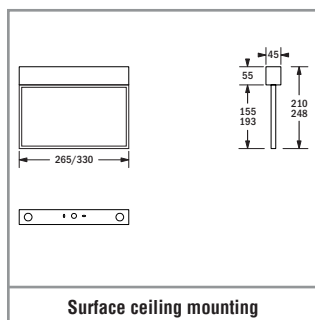
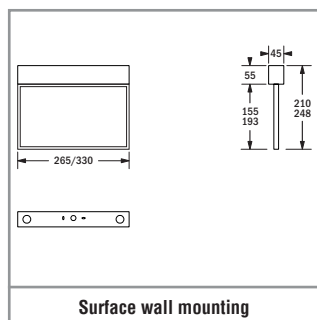
<b>Mains supply:</b>	198 V – 254 V / 50 Hz
<b>Switching:</b>	Maintained and non-maintained
<b>Ambient temperature:</b>	0 °C to +40 °C
<b>Protection class:</b>	II

### DECENTRAL SUPPLY

<b>Mains supply:</b>	24 V +/- 20 % DC
<b>Battery supply:</b>	24 V +/- 20 % DC
<b>Ambient temperature:</b>	-20 °C to +40 °C
<b>Protection class:</b>	III

### CENTRAL SUPPLY

<b>Mains supply:</b>	198 V – 254 V / 50 Hz
<b>Battery supply:</b>	176 V – 276 V
<b>Ambient temperature:</b>	-20 °C to +40 °C
<b>Protection class:</b>	II
<b>Mains supply (alt.):</b>	90 V – 254 V / 50/60 Hz
<b>Battery supply (alt.):</b>	90 V – 276 V



# LIFE SELF-CONTAINED SUPPLY

10 YEARS GUARANTEE

Autotest / CableCom Order code	Logica Order code	Logica FM Order code		LED 	t 		S~ 
Surface wall mounting (1-sided escape route indication), surface ceiling mounting (2-sided escape route indication) <sup>1</sup>							
37168	37169	37170	24 m	28	1 h / 3 h / 8 h	LIFE 6.4 V / 1.5 Ah	8 VA
37171	37172	37173	30 m	28	1 h / 3 h / 8 h	LIFE 6.4 V / 1.5 Ah	8 VA
Wire pendulum (2-sided escape route indication) <sup>1</sup>							
37174	37175	37176	24 m	28	1 h / 3 h / 8 h	LIFE 6.4 V / 1.5 Ah	8 VA
37177	37178	37179	30 m	28	1 h / 3 h / 8 h	LIFE 6.4 V / 1.5 Ah	8 VA

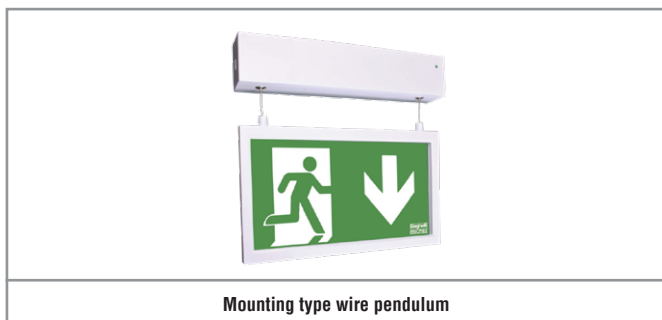
## SICURO<sup>LED</sup> DECENTRAL SUPPLY

Sicuro24 Order code		LED 	P= 
Surface wall mounting (1-sided escape route indication), surface ceiling mounting (2-sided escape route indication) <sup>1</sup>			
32085	24 m	28	2.9 W
32086	30 m	28	2.9 W
Wire pendulum (2-sided escape route indication) <sup>1</sup>			
32087	24 m	28	2.9 W
32088	30 m	28	2.9 W

<sup>1</sup> Please order additional required accessories for recessed ceiling mounting separately.

## SICURO<sup>P</sup> CENTRAL SUPPLY

Sicuro230 Order code		LED 	S~ 	P= 
Surface wall mounting (1-sided escape route indication), surface ceiling mounting (2-sided escape route indication) <sup>1</sup>				
31116	24 m	28	7.4 VA / 3.5 W	
31117	30 m	28	7.4 VA / 3.5 W	
Wire pendulum (2-sided escape route indication) <sup>1</sup>				
31118	24 m	28	7.4 VA / 3.5 W	
31119	30 m	28	7.4 VA / 3.5 W	



Please order escape sign accessories separately

Order code	Description	
VD 24 m	VD 30 m	
-	E16030M	Set of escape sign foils
E16029M	-	Set of escape sign foils
E16031M	-	Escape sign foil
-	E16032M	Escape sign foil

Included in scope of delivery

Order code	Description	
VD 25 m	VD 30 m	
-	-	Set of escape sign foils

Please order accessories separately

Order code	Description
VD 24 m	VD 30 m
F94002	F94001
	Recessed mounting set for hollow ceilings



## MAXIMA

**High type of protection.** Housing with convex light outlet and clear pane. Additional light outlet downwards for all versions. 1- or 2-sided escape route indication through self-adhesive escape sign foils.

Versions for surface wall and ceiling mounting and bracket and with additional accessories for pendulum and chain/wire

### MOUNTING TYPES



### MOUNTING TYPES WITH ACCESSORIES



### TECHNICAL DATA

<b>Housing:</b>	Polycarbonate, grey (RAL 7035) Polyester, grey (RAL 7035)	<b>Color stability:</b>	3 SDCM
<b>Pane:</b>	Polycarbonate, transparent	<b>Color temperature:</b>	4.000 K
<b>Foil:</b>	PVC, printed	<b>Color rendering index:</b>	70
<b>Service life L<sub>80</sub>B<sub>20</sub>:</b>	50.000 h	<b>Optic interface:</b>	LIFE, LIFE ECO



**Commissioning:** For Autotest, operating duration, operating mode PS, monitoring group and test duration are only programmable per app B.connect over smartphone locally on luminaire.

### SELF-CONTAINED SUPPLY

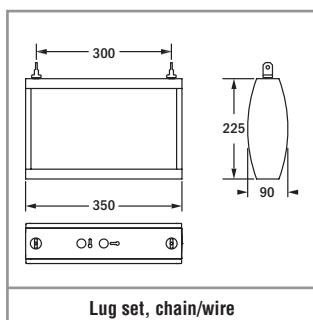
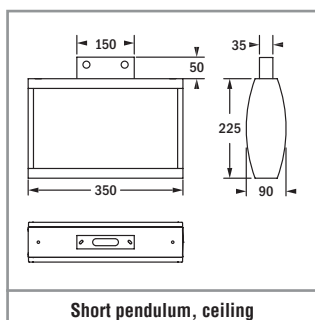
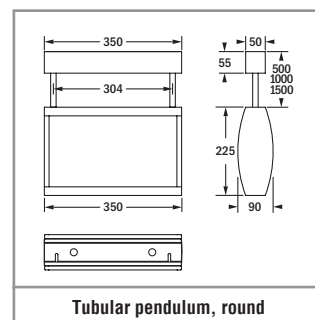
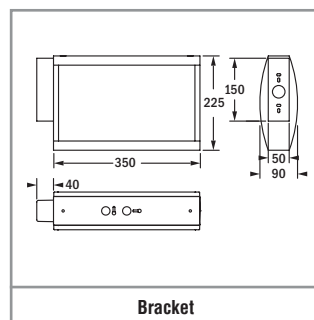
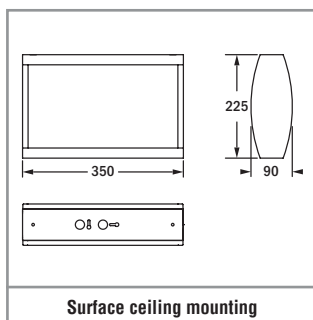
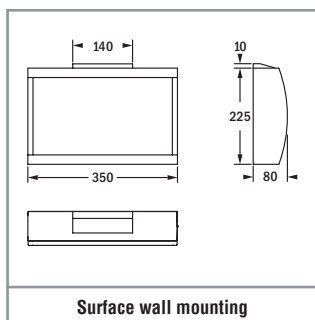
<b>Mains supply:</b>	198 V – 254 V / 50 Hz
<b>Switching:</b>	Maintained and non-maintained
<b>Ambient temperature:</b>	0 °C to +40 °C
<b>Protection class:</b>	II

### DECENTRAL SUPPLY

<b>Mains supply:</b>	24 V +/- 20 % DC
<b>Battery supply:</b>	24 V +/- 20 % DC
<b>Ambient temperature:</b>	-20 °C to +40 °C
<b>Protection class:</b>	III

### CENTRAL SUPPLY






<b>Mains supply:</b>	198 V – 254 V / 50 Hz
<b>Battery supply:</b>	176 V – 276 V
<b>Ambient temperature:</b>	-20 °C to +40 °C
<b>Protection class:</b>	II
<b>Mains supply (alt.):</b>	90 V – 254 V / 50/60 Hz
<b>Battery supply (alt.):</b>	90 V – 276 V










## LIFE SELF-CONTAINED SUPPLY

10 YEARS GUARANTEE



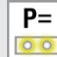
Autotest / CableCom Order code	Logica Order code	Logica FM Order code		LED 	t 		S~ 
Surface wall mounting (1-sided escape route indication)							
37054	37055	37056	32 m	2	1 h / 3 h / 8 h	LIFE 6.4 V / 1.5 Ah	8 VA
Surface ceiling mounting and bracket (2-sided escape route indication) <sup>1</sup>							
37057	37058	37059	32 m	2	1 h / 3 h / 8 h	LIFE 6.4 V / 1.5 Ah	8 VA

## LIFE ECO SELF-CONTAINED SUPPLY




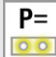
5 YEARS GUARANTEE

Autotest / CableCom Order code	Logica Order code	Logica FM Order code		LED 	t 		S~ 
Surface wall mounting (1-sided escape route indication)							
36054	36055	36056	32 m	2	1 h / 3 h / 8 h	LIFE 6.4 V / 1.5 Ah	8 VA
Surface ceiling mounting and bracket (2-sided escape route indication) <sup>1</sup>							
36057	36058	36059	32 m	2	1 h / 3 h / 8 h	LIFE 6.4 V / 1.5 Ah	8 VA

## SICURO<sup>LED</sup> DECENTRAL SUPPLY

Sicuro24 Order code		LED 	P= 
Surface wall mounting (1-sided escape route indication)			
32018	32 m	2	2.9 W
Surface ceiling mounting and bracket (2-sided escape route indication) <sup>1</sup>			
32019	32 m	2	2.9 W



## SICURO<sup>LED</sup> CENTRAL SUPPLY

Sicuro230 Order code		LED 	S~ 	P= 
Surface wall mounting (1-sided escape route indication)				
31018	32 m	2	7.4 VA / 3.5 W	
Surface ceiling mounting and bracket (2-sided escape route indication) <sup>1</sup>				
31019	32 m	2	7.4 VA / 3.5 W	

<sup>1</sup> Please order additional required accessories for pendulum and chain/wire separately.




Please order escape sign accessories separately

Order code	Description	
29002	Escape sign foil	
16917M	Set of escape sign foils	

Please order accessories separately

Order code	Description
F95700	Short pendulum for ceiling mounting, incl. pendulum mounting adaptor (on-finery cable laying possible)
F95510	Tubular pendulum, round, 500 mm
F95511	Tubular pendulum, round, 1.000 mm
F95512	Tubular pendulum, round, 1.500 mm
3723	Lug set for chain and wire mounting
F95032K	Protective basket (only for surface wall mounting)

Included in scope of delivery

Order code	Description	
29001	Set of escape sign foils	
F95506	Bracket	

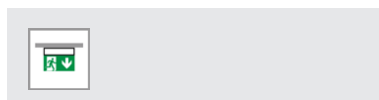


## QUADER

Housing made of sheet steel in square shape with cuboid, opal cover. 1-, 2- or 3-sided escape route indication through self-adhesive foils.

Versions for surface ceiling mounting and with additional accessories for pendulum and chain/wire

### MOUNTING TYPES



### MOUNTING TYPES WITH ACCESSORIES



### TECHNICAL DATA

<b>Housing:</b>	Sheet steel, white (RAL 9003)	<b>Color stability:</b>	3 SDCM
<b>Cover:</b>	PMMA, opal	<b>Color temperature:</b>	4.000 K
<b>Foil:</b>	PVC, printed	<b>Color rendering index:</b>	70
<b>Service life L<sub>80</sub>B<sub>20</sub>:</b>	50.000 h	<b>Optic interface:</b>	LIFE



**Commissioning:** For Autotest, operating duration, operating mode PS, monitoring group and test duration are only programmable per app B.connect over smartphone locally on luminaire.

### SELF-CONTAINED SUPPLY

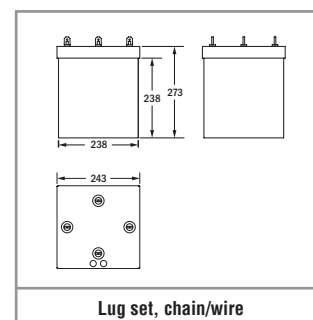
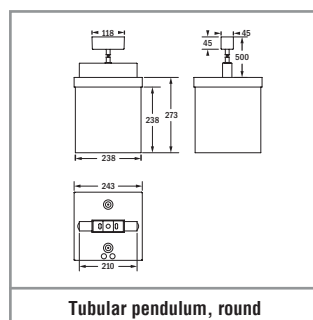
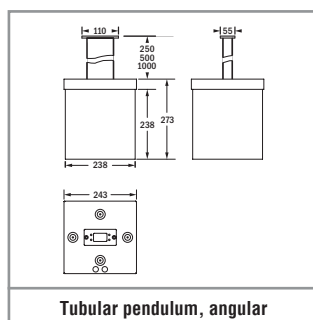
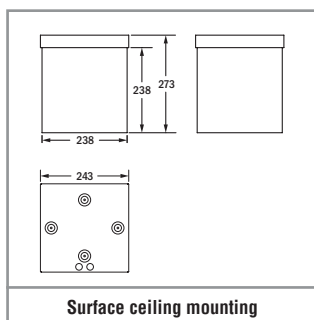
<b>Mains supply:</b>	198 V – 254 V/50 Hz
<b>Switching:</b>	Maintained and non-maintained
<b>Ambient temperature:</b>	0 °C to +40 °C
<b>Protection class:</b>	I

### DECENTRAL SUPPLY

<b>Mains supply:</b>	24 V +/- 20 % DC
<b>Battery supply:</b>	24 V +/- 20 % DC
<b>Ambient temperature:</b>	-20 °C to +40 °C
<b>Protection class:</b>	III






### CENTRAL SUPPLY

<b>Mains supply:</b>	198 V – 254 V/50 Hz
<b>Battery supply:</b>	176 V – 276 V
<b>Ambient temperature:</b>	-20 °C to +40 °C
<b>Protection class:</b>	I
<b>Mains supply (alt.):</b>	90 V – 254 V / 50/60 Hz
<b>Battery supply (alt.):</b>	90 V – 276 V



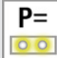


## LIFE SELF-CONTAINED SUPPLY




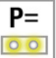
10 YEARS GUARANTEE

Autotest / CableCom Order code	Logica Order code	Logica FM Order code		LED 	t 		S~ 
Surface ceiling mounting (3-sided escape route indication) <sup>1</sup>							
37072	37073	37074	44 m	2	1 h / 3 h / 8 h	LIFE 6.4 V / 1.5 Ah	8 VA

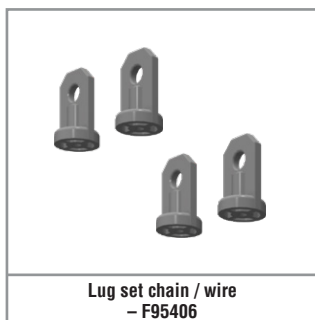
## SICURO<sup>®</sup> LED<sup>®</sup> DECENTRAL SUPPLY





Sicuro24 Order code		LED 	P= 
Surface ceiling mounting (3-sided escape route indication) <sup>1</sup>			
32024	22 m / 44 m	2	4.3 W

## SICURO<sup>®</sup> CENTRAL SUPPLY

Sicuro230 Order code		LED 	S~ 	P= 
Surface ceiling mounting (3-sided escape route indication) <sup>1</sup>				
31024	22 m / 44 m	2	9.4 VA / 4.7 W	

<sup>1</sup> Please order additional required accessories for pendulum and chain/wire separately. The pendulum mounting adaptor is required for all types of pendulums.



Please order escape sign accessories separately			
Order code	Description		
VD 22 m	VD 44 m		
F15330M	F15325M	Escape sign foil	
F15331M	F15326M	Escape sign foil	
F15332M	F15327M	Escape sign foil	
F15329M	F15328M	Escape sign foil	

Please order accessories separately	
Order code	Description
F95210	Pendulum mounting adaptor
F95600	Tubular pendulum, angular, 250 mm
F95601	Tubular pendulum, angular, 500 mm
F95602	Tubular pendulum, angular, 1.000 mm
F95400	Tubular pendulum, round, 500 mm
F95406	Lug set for chain and wire mounting



## IRON FLAG

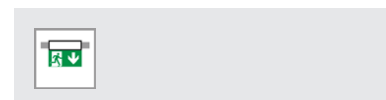
Escape sign luminaire in angular design with housing made of unpainted aluminium and universal display pane made of polycarbonate. Easy to install. 1- or 2-sided escape route indication through exchangeable escape sign foils.

Versions for surface wall and ceiling mounting, bracket and wire pendulum and with additional accessories for recessed ceiling mounting

### MOUNTING TYPES



### MOUNTING TYPES WITH ACCESSORIES



### TECHNICAL DATA

<b>Housing:</b>	Aluminium, anodized, grey	<b>Color stability:</b>	3 SDCM
<b>Display pane:</b>	Polycarbonate (display pane) Polycarbonate (foil, printed)	<b>Color temperature:</b>	4.000 K
<b>Service life <math>L_{80}B_{20}</math>:</b>	50.000 h	<b>Color rendering index:</b>	80
		<b>Optic interface:</b>	LIFE



**Commissioning:** For Autotest, operating duration, operating mode PS, monitoring group and test duration are only programmable per app B.connect over smartphone locally on luminaire.

### SELF-CONTAINED SUPPLY

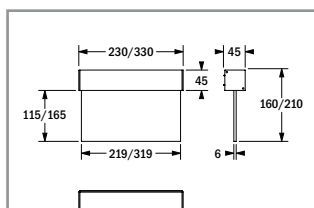
<b>Mains supply:</b>	198 V – 254 V/50 Hz
<b>Switching:</b>	Maintained and non-maintained
<b>Ambient temperature:</b>	0 °C to +40 °C
<b>Protection class:</b>	I

### DECENTRAL SUPPLY

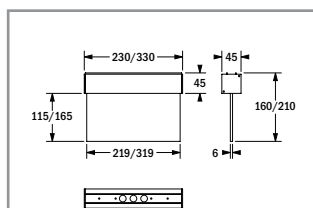
<b>Mains supply:</b>	24 V +/- 20 % DC
<b>Battery supply:</b>	24 V +/- 20 % DC
<b>Ambient temperature:</b>	-20 °C to +40 °C
<b>Protection class:</b>	III

### CENTRAL SUPPLY

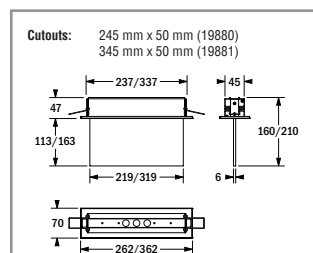
<b>Mains supply:</b>	198 V – 254 V/50 Hz
<b>Battery supply:</b>	176 V – 276 V
<b>Ambient temperature:</b>	-20 °C to +40 °C
<b>Protection class:</b>	I
<b>Mains supply (alt.):</b>	90 V – 254 V / 50/60 Hz
<b>Battery supply (alt.):</b>	90 V – 276 V



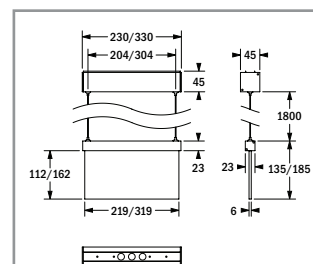
Surface wall mounting



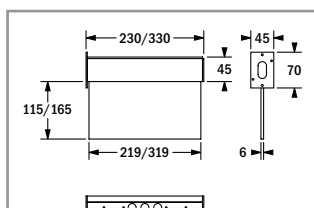
Surface ceiling mounting



Recessed ceiling mounting, hollow








Wire pendulum





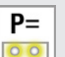
Bracket

# LIFE SELF-CONTAINED SUPPLY





10 YEARS GUARANTEE

Autotest / CableCom Order code	Logica Order code	Logica FM Order code		LED 	t 		S~ 
Surface wall mounting (1-sided escape route indication), surface ceiling mounting or bracket (2-sided escape route indication) <sup>1</sup>							
<b>19810</b>	<b>19810+15036<sup>2</sup></b>	<b>19810+15049<sup>2</sup></b>	20 m	24	1 h / 3 h / 8 h	LIFE 6.4 V / 0.6 Ah	8 VA
<b>19811</b>	<b>19811+15036<sup>2</sup></b>	<b>19811+15049<sup>2</sup></b>	30 m	36	1 h / 3 h / 8 h	2x LIFE 6.4 V / 0.6 Ah	8 VA
Wire pendulum (2-sided escape route indication)							
<b>19812</b>	<b>19812+15036<sup>2</sup></b>	<b>19812+15049<sup>2</sup></b>	20 m	24	1 h / 3 h / 8 h	LIFE 6.4 V / 0.6 Ah	8 VA
<b>19813</b>	<b>19813+15036<sup>2</sup></b>	<b>19813+15049<sup>2</sup></b>	30 m	36	1 h / 3 h / 8 h	2x LIFE 6.4 V / 0.6 Ah	8 VA

## DECENTRAL SUPPLY


Sicuro24 Order code		LED 	P= 
Surface wall mounting (1-sided escape route indication), surface ceiling mounting or bracket (2-sided escape route indication) <sup>1</sup>			
<b>17894</b>	20 m	24	2.5 W
<b>17895</b>	30 m	36	3.7 W
Wire pendulum (2-sided escape route indication)			
<b>17896</b>	20 m	24	2.5 W
<b>17897</b>	30 m	36	3.7 W

## CENTRAL SUPPLY

Sicuro230 Order code		LED 	S~ 	P= 
Surface wall mounting (1-sided escape route indication), surface ceiling mounting or bracket (2-sided escape route indication) <sup>1</sup>				
<b>17890</b>	20 m	24	6.1 VA / 2.6 W	
<b>17891</b>	30 m	36	8.3 VA / 4.1 W	
Wire pendulum (2-sided escape route indication)				
<b>17892</b>	20 m	24	6.1 VA / 2.6 W	
<b>17893</b>	30 m	36	8.3 VA / 4.1 W	

<sup>1</sup> Please order additional required accessories for recessed ceiling mounting separately.

<sup>2</sup> Please order Logica interface (15036) and Logica FM interface (15049) separately.

Included in scope of delivery		
Order code	Description	
VD 20 m	VD 30 m	
-	-	Set of escape sign foils 

Please order accessories separately		
Order code		Description
VD 20 m	VD 30 m	
<b>15036</b>	<b>15036</b>	Logica interface for LIFE
<b>15049</b>	<b>15049</b>	Logica FM interface for LIFE (IP65, luminaire attachment)
<b>15038</b>	<b>15038</b>	DALI interface for LIFE (for connection to DALI central of the general and safety lighting)
<b>19880</b>	<b>19881</b>	Recessed mounting set for hollow ceilings (only for surface ceiling mounting)
<b>19885</b>	<b>19886</b>	Recessed mounting set for hollow ceilings (only for wire pendulum)



## IRON FLAG 65

**Escape sign luminaire with high type of protection in angular design.** Very robust housing made of unpainted aluminium and universal display pane made of polycarbonate. Easy to install. 1- or 2-sided escape route indication through exchangeable escape sign foils. Generous connection chamber for the internal wiring.

Versions for surface wall and ceiling mounting and bracket

### MOUNTING TYPES



### TECHNICAL DATA

<b>Housing:</b>	Aluminium, anodized, grey	<b>Color stability:</b>	3 SDCM
<b>Display pane:</b>	Polycarbonate (display pane) Polycarbonate (foil, printed)	<b>Color temperature:</b>	4.000 K
<b>Service life <math>L_{80}B_{20}</math>:</b>	50.000 h	<b>Color rendering index:</b>	80
		<b>Optic interface:</b>	LIFE



**Commissioning:** For Autotest, operating duration, operating mode PS, monitoring group and test duration are only programmable per app B.connect over smartphone locally on luminaire.

### SELF-CONTAINED SUPPLY

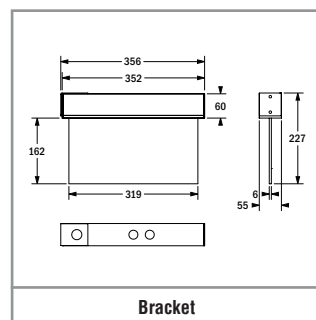
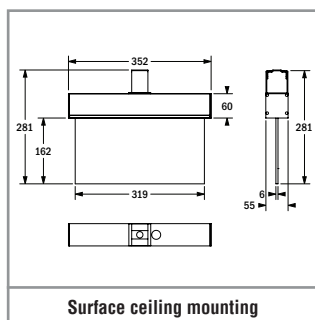
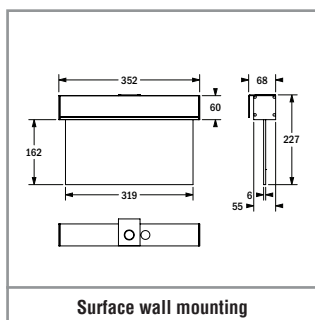
<b>Mains supply:</b>	198 V – 254 V/50 Hz
<b>Switching:</b>	Maintained and non-maintained
<b>Ambient temperature:</b>	0 °C to +40 °C
<b>Protection class:</b>	I

### DECENTRAL SUPPLY

<b>Mains supply:</b>	24 V +/- 20 % DC
<b>Battery supply:</b>	24 V +/- 20 % DC
<b>Ambient temperature:</b>	-20 °C to +40 °C
<b>Protection class:</b>	III






### CENTRAL SUPPLY

<b>Mains supply:</b>	198 V – 254 V/50 Hz
<b>Battery supply:</b>	176 V – 276 V
<b>Ambient temperature:</b>	-20 °C to +40 °C
<b>Protection class:</b>	I
<b>Mains supply (alt.):</b>	90 V – 254 V / 50/60 Hz
<b>Battery supply (alt.):</b>	90 V – 276 V



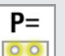


## LIFE SELF-CONTAINED SUPPLY





10 YEARS  
GUARANTEE

Autotest / CableCom Order code	Logica Order code	Logica FM Order code		LED 	t 		S~ 
Surface wall mounting (1-sided escape route indication), surface ceiling mounting or bracket (2-sided escape route indication)							
4384	4384+15036 <sup>1</sup>	4384+15049 <sup>1</sup>	30 m	36	1 h / 3 h / 8 h	2x LIFE 6.4 V / 0.6 Ah	8 VA

## DECENTRAL SUPPLY

Sicuro24 Order code		LED 	P= 
Surface wall mounting (1-sided escape route indication), surface ceiling mounting or bracket (2-sided escape route indication)			
17925	30 m	36	3.7 W

## CENTRAL SUPPLY

Sicuro230 Order code		LED 	S~ 	P= 
Surface wall mounting (1-sided escape route indication), surface ceiling mounting or bracket (2-sided escape route indication) <b>with luminaire monitoring (EÜ)</b>				
17924	30 m	36	8,3 VA / 4,1 W	
Surface wall mounting (1-sided escape route indication), surface ceiling mounting or bracket (2-sided escape route indication) <b>with circuit monitoring (SÜ)</b>				
17926	30 m	36	9,5 VA / 4,7 W	

<sup>1</sup> Please order Logica interface (15036) and Logica FM interface (15049) separately.

Included in scope of delivery	
Order code	Description
-	Set of escape sign foils 

Please order accessories separately	
Order code	Description
15036	Logica interface for LIFE
15049	Logica FM interface for LIFE (IP65, luminaire attachment)
15038	DALI interface for LIFE (for connection to DALI central of the general and safety lighting)



## PLURALUCE

**Housing in flat design made of sheet steel** and cover made of polycarbonate. High-power LED with light guidance through special lenses for asymmetrical shining light distribution (illumination of escape routes with 1 lx), symmetrical shining light distribution (illumination of areas with 0.5 lx) and 1-sided asymmetrical shining light distribution (illumination of safety devices with 5 lx). Square covers for recessed ceiling mounting separately orderable as accessories.

Versions for surface wall and ceiling mounting, recessed wall (only S24 with device socket) and ceiling mounting and with additional accessories for bracket and chain/wire (only surface ceiling mounting), version S24 with device socket also for recessed mounting on fire protection walls / fire protection ceilings, covers deliverable in other colors on request

### MOUNTING TYPES



### MOUNTING TYPES WITH ACCESSORIES



### TECHNICAL DATA

<b>Housing:</b>	Sheet steel, white (RAL 9010)
<b>Cover:</b>	Polycarbonate, white (RAL 9010)
<b>Lens:</b>	PMMA, transparent
<b>Type of protection:</b>	IP41 (surface ceiling mounting) IP42 (recessed ceiling mounting, cover) IP20 (recessed ceiling mounting, backside & equipment housing)

<b>Service life <math>L_{80}B_{20}</math>:</b>	50.000 h
<b>Color stability:</b>	3 SDCM
<b>Color temperature:</b>	4.000 K
<b>Color rendering index:</b>	70
<b>Optic interface:</b>	LIFE, LIFE ECO



**Commissioning:** For Autotest, operating duration, operating mode PS, monitoring group and test duration are only programmable per app B.connect over smartphone locally on luminaire.

### SELF-CONTAINED SUPPLY

<b>Mains supply:</b>	198 V – 254 V/50 Hz
<b>Switching:</b>	Maintained and non-maintained
<b>Ambient temperature:</b>	0 °C to +40 °C
<b>Protection class:</b>	I

### DECENTRAL SUPPLY

<b>Mains supply:</b>	24 V +/- 20 % DC
<b>Battery supply:</b>	24 V +/- 20 % DC
<b>Ambient temperature:</b>	-20 °C to +40 °C
<b>Protection class:</b>	III

### CENTRAL SUPPLY

<b>Mains supply:</b>	198 V – 254 V/50 Hz
<b>Battery supply:</b>	176 V – 276 V
<b>Ambient temperature:</b>	-20 °C to +40 °C
<b>Protection class:</b>	I
<b>Mains supply (alt.):</b>	90 V – 254 V / 50/60 Hz
<b>Battery supply (alt.):</b>	90 V – 276 V

Variant	Area 3.5 m	Area 7 m	Escape route
LIFE / LIFE ECO	271 lm	271 lm	248 lm
Sicuro24 / Sicuro230	361 lm	361 lm	330 lm



## LIFE SELF-CONTAINED SUPPLY

10 YEARS GUARANTEE

Autotest / CableCom Order code	Logica Order code	Logica FM Order code	LED	Φ= 1 h	Φ= 3 h	Φ= 8 h		S~
Surface wall and ceiling mounting, square cover, for area illumination with 2 changeable lenses <sup>1</sup>								
37075	37077	37079	1	361 / 361 lm (3.5 m / 7 m)	207 / 207 lm (3.5 m / 7 m)	72 / 72 lm (3.5 m / 7 m)	LIFE 6.4 V / 1.5 Ah	8 VA
Surface wall and ceiling mounting, square cover, for escape route illumination <sup>1</sup>								
37076	37078	37080	1	330 lm	190 lm	66 lm	LIFE 6.4 V / 1.5 Ah	8 VA
Recessed ceiling mounting, round cover, for area illumination with 2 changeable lenses								
37081	37083	37085	1	361 / 361 lm (3.5 m / 7 m)	207 / 207 lm (3.5 m / 7 m)	72 / 72 lm (3.5 m / 7 m)	LIFE 6.4 V / 1.5 Ah	8 VA
Recessed ceiling mounting, round cover, for escape route illumination								
37082	37084	37086	1	330 lm	190 lm	66 lm	LIFE 6.4 V / 1.5 Ah	8 VA

## LIFE ECO SELF-CONTAINED SUPPLY

5 YEARS GUARANTEE

Autotest / CableCom Order code	Logica Order code	Logica FM Order code	LED	Φ= 1 h	Φ= 3 h	Φ= 8 h		S~
Surface wall and ceiling mounting, square cover, for area illumination with 2 changeable lenses <sup>1</sup>								
16732	16734	16736	1	361 / 361 lm (3.5 m / 7 m)	207 / 207 lm (3.5 m / 7 m)	72 / 72 lm (3.5 m / 7 m)	LIFE 6.4 V / 1.5 Ah	8 VA
Surface wall and ceiling mounting, square cover, for escape route illumination <sup>1</sup>								
16733	16735	16737	1	330 lm	190 lm	66 lm	LIFE 6.4 V / 1.5 Ah	8 VA
Recessed ceiling mounting, round cover, for area illumination with 2 changeable lenses								
16748	16750	16752	1	361 / 361 lm (3.5 m / 7 m)	207 / 207 lm (3.5 m / 7 m)	72 / 72 lm (3.5 m / 7 m)	LIFE 6.4 V / 1.5 Ah	8 VA
Recessed ceiling mounting, round cover, for escape route illumination								
16749	16751	16753	1	330 lm	190 lm	66 lm	LIFE 6.4 V / 1.5 Ah	8 VA

## SICURO<sup>®</sup> DECENTRAL SUPPLY

Sicuro24 Order code	LED	Φ=	P=
Surface wall and ceiling mounting, square cover, for area illumination with 2 changeable lenses <sup>1</sup>			
32036	1	361 / 361 lm (3.5 m / 7 m)	3.8 W
Surface wall and ceiling mounting, square cover, for escape route illumination <sup>1</sup>			
32037	1	330 lm	3.8 W
Recessed ceiling mounting without device socket, round cover, for area illumination with 2 changeable lenses			
32038	1	361 / 361 lm (3.5 m / 7 m)	3.8 W
Recessed wall and ceiling mounting with device socket, round cover, for area illumination with 2 changeable lenses <sup>2,3</sup>			
32040	1	361 / 361 lm (3.5 m / 7 m)	3.8 W
Recessed ceiling mounting without device socket, round cover, for escape route illumination			
32039	1	330 lm	3.8 W
Recessed wall and ceiling mounting with device socket, round cover, for escape route illumination <sup>2,3</sup>			
32041	1	330 lm	3.8 W

<sup>1</sup> Please order additional required accessories for bracket and chain/wire separately.

<sup>2</sup> The required single device sockets, f. i. manufacturer KAISER, for recessed wall and ceiling mounting with device socket on walls / ceilings are not included in the scope of delivery. Please provide on site.

Single device socket, for massive wall, depth 46 mm, installation opening 60 mm, color(s) black  
Manufacturer: KAISER  
Manufacturer order code: 1056-04

Single device socket, for massive wall, depth 66 mm, installation opening 60 mm, color(s) black  
Manufacturer: KAISER  
Manufacturer order code: 1556-04

Single device socket, for massive ceiling (concrete), depth 41 mm, installation opening 60 mm, color(s) green/yellow  
Manufacturer: KAISER  
Manufacturer order code: 1255-43

Single device socket, for hollow wall and hollow ceiling, depth 49 mm, mill hole 68 mm, color(s) orange  
Manufacturer: KAISER  
Manufacturer order code: 9063-02

Single device socket, for hollow wall and hollow ceiling, depth 62 mm, mill hole 68 mm, color(s) orange  
Manufacturer: KAISER  
Manufacturer order code: 9064-02

<sup>3</sup> The required single device sockets with building inspectorate approval of the DIBt, f. i. manufacturer KAISER, for recessed wall and ceiling mounting with device socket on fire protection walls / fire protection ceilings are not included in the scope of delivery. Please provide on site.

Single device socket, EI30-EI120, for massive wall, depth 60 mm, installation opening 60 mm, color(s) black/white  
Manufacturer: KAISER  
Manufacturer order code: 1564-01

Single device socket, EI30-EI120 and F30-B/F60-B, for hollow wall, depth 44 mm, mill hole 74 mm, color(s) black/white  
Manufacturer: KAISER  
Manufacturer order code: 9463-01

Single device socket, EI30-EI120 and F30-B/F60-B, for hollow wall, depth 54.5 mm, mill hole 74 mm, color(s) black/white  
Manufacturer: KAISER  
Manufacturer order code: 9464-01

Single device socket, EI30-EI90, for hollow wall, depth 62 mm, mill hole 68 mm, color(s) black/red  
Manufacturer: KAISER  
Manufacturer order code: 9464-02

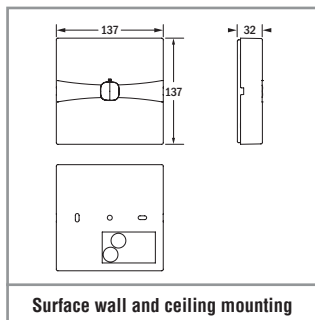
Single device socket, EI30-EI90, for hollow wall, depth 49 mm, mill hole 68 mm, color(s) black/red  
Manufacturer: KAISER  
Manufacturer order code: 9463-02

Single device socket, F30-F90, for hollow ceiling, depth 44 mm, mill hole 74 mm, color(s) black  
Manufacturer: KAISER  
Manufacturer order code: 9463-50

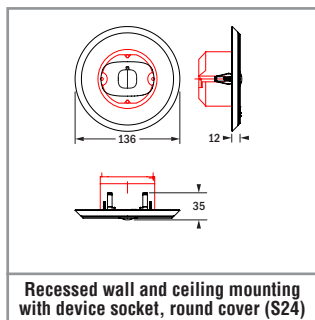
Single device socket, F30-F90, for hollow ceiling, depth 54.5 mm, mill hole 74 mm, color(s) black  
Manufacturer: KAISER  
Manufacturer order code: 9464-50

## SICURO<sup>®</sup> CENTRAL SUPPLY

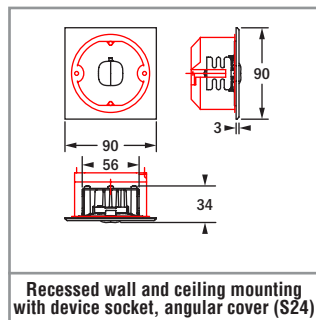
Sicuro230 Order code	LED	Φ=	S~	P=
Surface wall and ceiling mounting, square cover, for area illumination with 2 changeable lenses <sup>1</sup>				
31036	1	361 / 361 lm (3.5 m / 7 m)		8.3 VA / 4.1 W
Surface wall and ceiling mounting, square cover, for escape route illumination <sup>1</sup>				
31037	1	330 lm		8.3 VA / 4.1 W
Recessed ceiling mounting, round cover, for area illumination with 2 changeable lenses				
31038	1	361 / 361 lm (3.5 m / 7 m)		8.3 VA / 4.1 W
Recessed ceiling mounting, round cover, for escape route illumination				
31039	1	330 lm		8.3 VA / 4.1 W



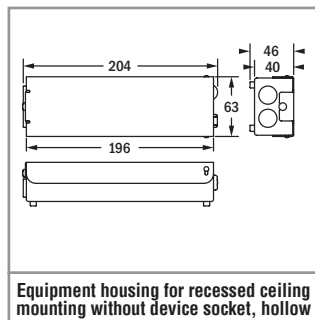
**Surface wall and ceiling mounting**



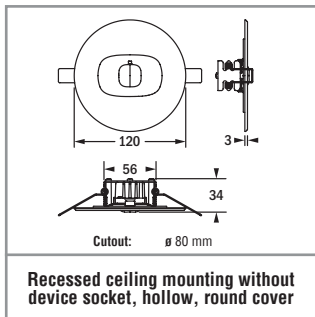
**Recessed wall and ceiling mounting with device socket, round cover (S24)**



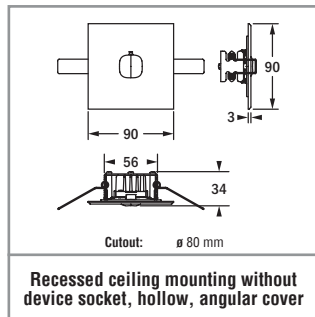
**Recessed wall and ceiling mounting with device socket, angular cover (S24)**



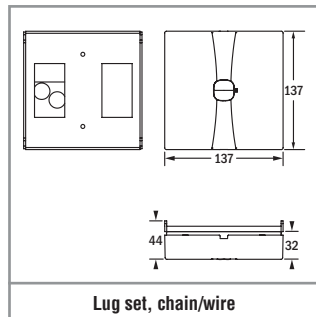
**Equipment housing for recessed ceiling mounting without device socket, hollow**



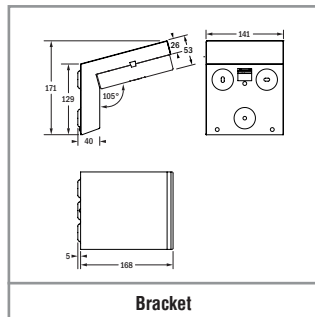
**Recessed ceiling mounting without device socket, hollow, round cover**



**Recessed ceiling mounting without device socket, hollow, angular cover**



**Lug set, chain/wire**



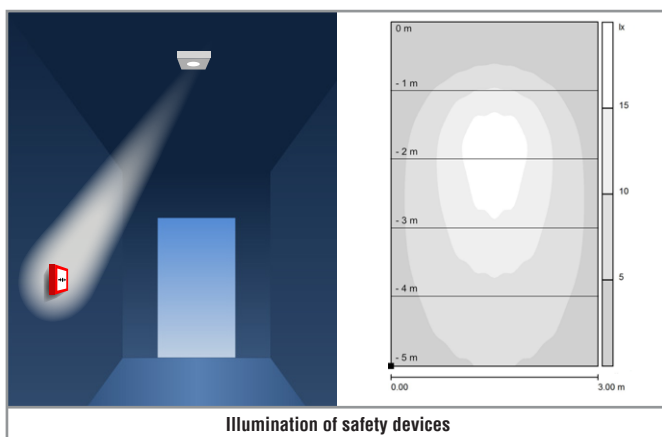
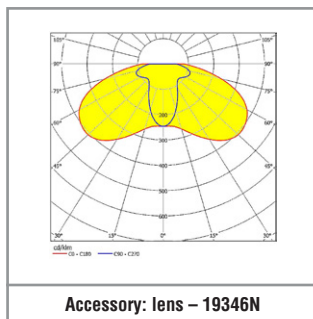
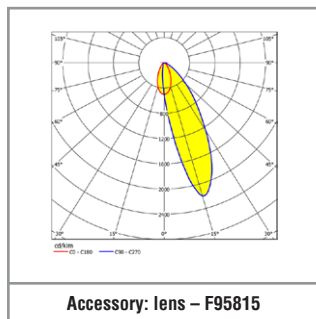
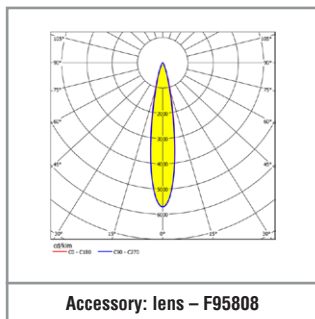
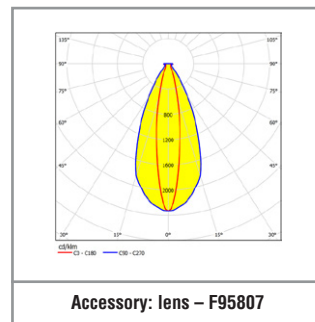
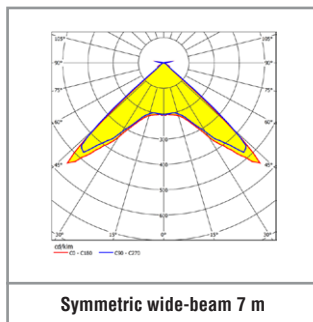
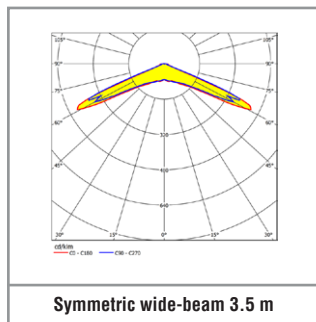
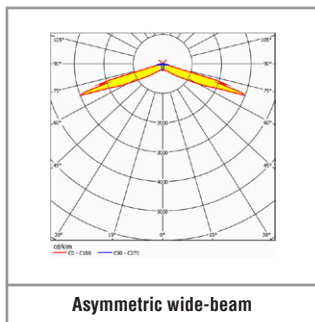
**Bracket**



**Square cover, sheet steel, white (RAL 9010)**



**Recessed ceiling mounting with device socket, round cover (S24)**



**Please order accessories separately**

Order code	Description
F95966	Lug set for chain and wire mounting (only for surface ceiling mounting)
F95930	Protective basket (only for recessed ceiling mounting)
F95931	Protective basket (only for surface wall mounting, surface ceiling mounting)
F95816	Bracket (only for surface wall mounting)
F95807	Asymmetrical deep-beam lens for mounting heights > 7.5 m (only for surface ceiling mounting, recessed ceiling mounting, bracket, chain/wire, area illumination)
F95808	Symmetrical deep-beam lens for mounting heights > 7.5 m (only for surface ceiling mounting, recessed ceiling mounting, bracket, chain/wire, area illumination)
F95815	Asymmetrical shining lens for illumination of safety devices with 5 lx (only for surface ceiling mounting, recessed ceiling mounting, chain/wire, area illumination)
19346N	Diffusor lens for glare reduction (only for surface wall mounting, recessed wall mounting in device socket for S24, area illumination)
F95812	Square cover, sheet steel, white, RAL 9010 (only for recessed ceiling mounting, escape route illumination, LIFE, LIFE ECO, S24 without device socket, S230)
F95811	Square cover, sheet steel, white, RAL 9010 (only for recessed ceiling mounting, area illumination, LIFE, LIFE ECO, S24 without device socket, S230)
F95814	Square cover, sheet steel, white, RAL 9010 (only for recessed wall mounting, recessed ceiling mounting, escape route illumination, S24 with device socket)
F95813	Square cover, sheet steel, white, RAL 9010 (only for recessed wall mounting, recessed ceiling mounting, area illumination, S24 with device socket)
F95804	Round cover, stainless sheet steel, V2A (only for recessed ceiling mounting, escape route illumination, LIFE, LIFE ECO, S24 without device socket, S230)
F95803	Round cover, stainless sheet steel, V2A (only for recessed ceiling mounting, area illumination, LIFE, LIFE ECO, S24 without device socket, S230)

**Included in scope of delivery**

Order code	Description
-	Symmetrical wide-beam lens for mounting height 3.5 m (only for area illumination)
-	Symmetrical wide-beam lens for mounting height 7 m (only for area illumination)
-	Asymmetrical wide-beam lens (only for escape route illumination)



## LUMAX

**Combined general and safety luminaire.** Round luminaire with housing made of sheet steel with domed diffuser made of opal plastic. Homogeneous light emission. Special LED board with a large and a small LED circuit for different functions regarding the general and safety lighting.

Special versions with integrated motion detector available.

Versions for surface wall and ceiling mounting

Also deliverable as luminaire for general lighting

### MOUNTING TYPES



### TECHNICAL DATA

<b>Housing:</b>	Sheet steel, white (RAL 9003)	<b>Color temperature:</b>	3.000 K or 4.000 K
<b>Diffusor:</b>	PMMA, opal	<b>Color rendering index:</b>	80
<b>Service life <math>L_{80}B_{20}</math>:</b>	50.000 h	<b>Optic interface:</b>	LIFE
<b>Color stability:</b>	3 SDCM		



**Commissioning:** For Autotest, operating duration, operating mode PS, monitoring group and test duration are only programmable per app B.connect over smartphone locally on luminaire.

### SELF-CONTAINED SUPPLY

<b>Mains supply:</b>	198 V – 254 V/50 Hz
<b>Switching:</b>	Maintained or non-maintained
<b>Ambient temperature:</b>	0 °C to +40 °C
<b>Protection class:</b>	I

### DECENTRAL SUPPLY

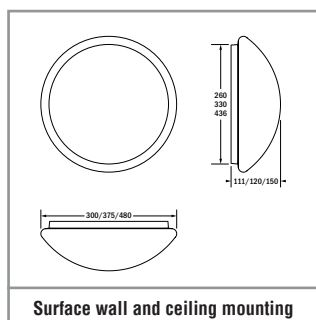
<b>Mains supply:</b>	24 V +/- 20 % DC
<b>Battery supply:</b>	24 V +/- 20 % DC
<b>Ambient temperature:</b>	-20 °C to +40 °C
<b>Protection class:</b>	III with connection only to low voltage, I with additional connection to voltages above low voltage

### CENTRAL SUPPLY

<b>Mains supply:</b>	198 V – 254 V/50 Hz
<b>Battery supply:</b>	176 V – 276 V
<b>Ambient temperature:</b>	-20 °C to +40 °C
<b>Protection class:</b>	I
<b>Mains supply (alt.):</b>	90 V – 254 V / 50/60 Hz <sup>8</sup>
<b>Battery supply (alt.):</b>	90 V – 276 V <sup>8</sup>

<sup>8</sup> For order codes 31059, 31063, 31067, 31071, 31075, 31079

Variant	T <sub>c</sub>	Φ~
LIFE / Sicuro24 / Sicuro230 – with diffusor: Ø 300 mm	3.000 K	1.700 lm
	4.000 K	1.700 lm
LIFE / Sicuro24 / Sicuro230 – with diffusor: Ø 375 mm	3.000 K	2.450 lm
	4.000 K	2.450 lm
LIFE / Sicuro24 / Sicuro230 – with diffusor: Ø 480 mm	3.000 K	3.650 lm
	4.000 K	3.650 lm



Autotest / CableCom Order code	Logica Order code	Logica FM Order code	Version	LED	Φ= 1 h	Φ= 3 h	Φ= 8 h		S~
-----------------------------------	----------------------	-------------------------	---------	-----	--------	--------	--------	--	----

Surface wall mounting, surface ceiling mounting<sup>1</sup>

37105 (Ø 300 mm)	37106 (Ø 300 mm)	37107 (Ø 300 mm)	3K	68	315 lm	158 lm	63 lm	LIFE 6.4 V / 1.5 Ah	8 VA
37111 (Ø 375 mm)	37112 (Ø 375 mm)	37113 (Ø 375 mm)	3K	88	315 lm	158 lm	63 lm	LIFE 6.4 V / 1.5 Ah	8 VA
37117 (Ø 480 mm)	37118 (Ø 480 mm)	37119 (Ø 480 mm)	3K	88	315 lm	158 lm	63 lm	LIFE 6.4 V / 1.5 Ah	8 VA
37102 (Ø 300 mm)	37103 (Ø 300 mm)	37104 (Ø 300mm)	4K	68	315 lm	158 lm	63 lm	LIFE 6.4 V / 1.5 Ah	8 VA
37108 (Ø 375 mm)	37109 (Ø 375 mm)	37110 (Ø 375 mm)	4K	88	315 lm	158 lm	63 lm	LIFE 6.4 V / 1.5 Ah	8 VA
37114 (Ø 480 mm)	37115 (Ø 480 mm)	37116 (Ø 480 mm)	4K	88	315 lm	158 lm	63 lm	LIFE 6.4 V / 1.5 Ah	8 VA

Surface wall mounting, surface ceiling mounting<sup>1</sup>, with motion detector<sup>2</sup>

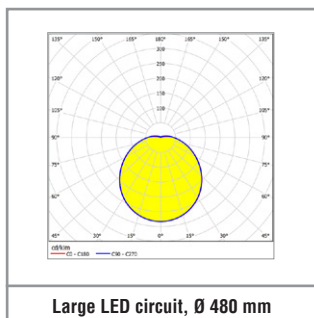
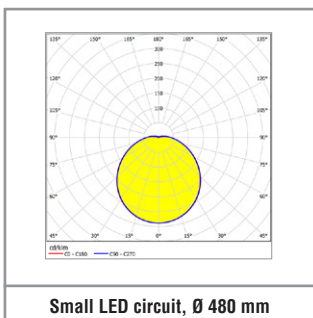
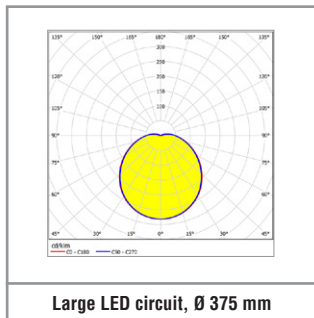
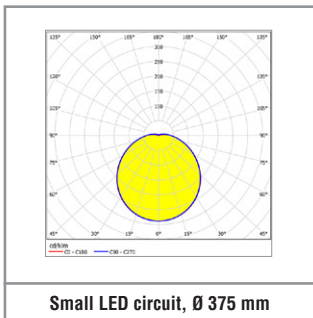
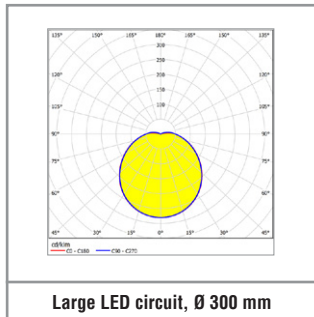
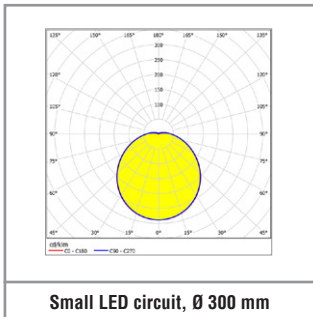
37253 (Ø 300 mm)	37254 (Ø 300 mm)	37255 (Ø 300 mm)	3K	68	315 lm	158 lm	63 lm	LIFE 6.4 V / 1.5 Ah	8 VA
37259 (Ø 375 mm)	37260 (Ø 375 mm)	37261 (Ø 375 mm)	3K	88	315 lm	158 lm	63 lm	LIFE 6.4 V / 1.5 Ah	8 VA
37265 (Ø 480 mm)	37266 (Ø 480 mm)	37267 (Ø 480 mm)	3K	88	315 lm	158 lm	63 lm	LIFE 6.4 V / 1.5 Ah	8 VA
37250 (Ø 300 mm)	37251 (Ø 300 mm)	37252 (Ø 300 mm)	4K	68	315 lm	158 lm	63 lm	LIFE 6.4 V / 1.5 Ah	8 VA
37256 (Ø 375 mm)	37257 (Ø 375 mm)	37258 (Ø 375 mm)	4K	88	315 lm	158 lm	63 lm	LIFE 6.4 V / 1.5 Ah	8 VA
37262 (Ø 480 mm)	37263 (Ø 480 mm)	37264 (Ø 480 mm)	4K	88	315 lm	158 lm	63 lm	LIFE 6.4 V / 1.5 Ah	8 VA

**SICURO** DECENTRAL SUPPLY

Sicuro24 Order code	Version	LED	Φ=	P=
------------------------	---------	-----	----	----

Surface wall mounting, surface ceiling mounting<sup>3</sup>

32060 (Ø 300 mm)	3K	68	315 lm	4.3 W
32062 (Ø 375 mm)	3K	88	315 lm	4.3 W
32064 (Ø 480 mm)	3K	88	315 lm	4.3 W
32059 (Ø 300 mm)	4K	68	315 lm	4.3 W
32061 (Ø 375 mm)	4K	88	315 lm	4.3 W
32063 (Ø 480 mm)	4K	88	315 lm	4.3 W



**SICURO** CENTRAL SUPPLY

Sicuro230 Order code	Version	LED	Φ=	S~	P=
-------------------------	---------	-----	----	----	----

Surface wall mounting, surface ceiling mounting with luminaire monitoring (EÜ) and reduced power in battery operation<sup>4</sup>

31063 (Ø 300 mm)	3K	68	315 lm	20 VA / 4.7 W
31071 (Ø 375 mm)	3K	88	315 lm	26 VA / 4.7 W
31079 (Ø 480 mm)	3K	88	315 lm	37.5 VA / 4.7 W
31059 (Ø 300 mm)	4K	68	315 lm	20 VA / 4.7 W
31067 (Ø 375 mm)	4K	88	315 lm	26 VA / 4.7 W
31075 (Ø 480 mm)	4K	88	315 lm	37.5 VA / 4.7 W

Surface wall mounting, surface ceiling mounting with luminaire monitoring (EÜ), without reduced power in battery operation<sup>5</sup>

31062 (Ø 300 mm)	3K	68	1.700 lm	20 VA / 18.5 W
31070 (Ø 375 mm)	3K	88	2.450 lm	26 VA / 24.5 W
31078 (Ø 480 mm)	3K	88	3.650 lm	39 VA / 37.5 W
31058 (Ø 300 mm)	4K	68	1.700 lm	20 VA / 18.5 W
31066 (Ø 375 mm)	4K	88	2.450 lm	26 VA / 24.5 W
31074 (Ø 480 mm)	4K	88	3.650 lm	39 VA / 37.5 W

Surface wall mounting, surface ceiling mounting with circuit monitoring (SÜ) and reduced power in battery operation<sup>6</sup>

31065 (Ø 300 mm)	3K	68	315 lm	20 VA / 5.4 W
31073 (Ø 375 mm)	3K	88	315 lm	26 VA / 5.4 W
31081 (Ø 480 mm)	3K	88	315 lm	39 VA / 5.4 W
31061 (Ø 300 mm)	4K	68	315 lm	20 VA / 5.4 W
31069 (Ø 375 mm)	4K	88	315 lm	26 VA / 5.4 W
31077 (Ø 480 mm)	4K	88	315 lm	39 VA / 5.4 W

Surface wall mounting, surface ceiling mounting with circuit monitoring (SÜ), without reduced power in battery operation<sup>7</sup>

31064 (Ø 300 mm)	3K	68	1.700 lm	18.5 VA / 17 W
31072 (Ø 375 mm)	3K	88	2.450 lm	24.5 VA / 23 W
31080 (Ø 480 mm)	3K	88	3.650 lm	37.5 VA / 36 W
31060 (Ø 300 mm)	4K	68	1.700 lm	18.5 VA / 17 W
31068 (Ø 375 mm)	4K	88	2.450 lm	24.5 VA / 23 W
31076 (Ø 480 mm)	4K	88	3.650 lm	37.5 VA / 36 W

<sup>1</sup> Small LED circuit: with LIFE driver module for safety lighting.  
Large LED circuit: LED driver for general lighting.

<sup>2</sup> The motion detector requires either a separate supply cable or additional supply wires from the general lighting (if present) with continuous voltage (230 V / 50 Hz).

<sup>3</sup> Small LED circuit: with S24 driver module G31445 for safety lighting.  
Large LED circuit: LED driver for general lighting.

<sup>4</sup> Small LED circuit: with S230 driver module 17380 for safety lighting.  
Large LED circuit: LED driver for general lighting.

<sup>5</sup> Small LED circuit: not used.  
Large LED circuit: with S230 module 17382 and LED driver for safety lighting.

<sup>6</sup> Small LED circuit: LED driver for safety lighting.  
Large LED circuit: LED driver for general lighting.

<sup>7</sup> Small LED circuit: not used.  
Large LED circuit: LED driver for general or safety lighting.



## LUMAX65

**Combined general and safety luminaire with high type of protection.**  
 Round luminaire with housing as surrounding frame made of plastic with domed diffuser made of opal plastic. Homogeneous light emission. Special LED board with a large and a small LED circuit for different functions regarding the general and safety lighting. Special versions with integrated motion detector available.

Versions for surface wall and ceiling mounting

Also deliverable as luminaire for general lighting

### MOUNTING TYPES



### TECHNICAL DATA

**Housing:** Polycarbonate, black (RAL 9005)  
 Polycarbonate, grey (RAL 7024)

**Diffuser:** PMMA, opal

**Service life  $L_{80}B_{20}$ :** 50.000 h

**Color stability:** 3 SDCM

**Color temperature:** 3.000 K or 4.000 K

**Color rendering index:** 80

**Optic interface:** LIFE



**Commissioning:** For Autotest, operating duration, operating mode PS, monitoring group and test duration are only programmable per app B.connect over smartphone locally on luminaire.

### SELF-CONTAINED SUPPLY

**Mains supply:** 198 V – 254 V / 50 Hz

**Switching:** Maintained or non-maintained

**Ambient temperature:** 0 °C to +40 °C

**Protection class:** I

### DECENTRAL SUPPLY

**Mains supply:** 24 V +/- 20 % DC

**Battery supply:** 24 V +/- 20 % DC

**Ambient temperature:** -20 °C to +40 °C

**Protection class:** III with connection only to low voltage,  
 I with additional connection to voltages above low voltage

### CENTRAL SUPPLY

**Mains supply:** 198 V – 254 V / 50 Hz

**Battery supply:** 176 V – 276 V

**Ambient temperature:** -20 °C to +40 °C

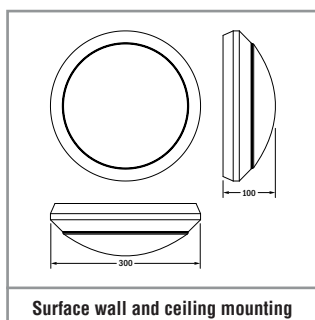
**Protection class:** I

**Mains supply (alt.):** 90 V – 254 V / 50/60 Hz<sup>8</sup>

**Battery supply (alt.):** 90 V – 276 V<sup>8</sup>

<sup>8</sup> For order codes 31083, 31087, 31091, 31095, 31201, 31205, 31209, 31213

Variant	T <sub>c</sub>	Φ~
LIFE / Sicuro24 / Sicuro230	3.000 K	1.850 lm
	4.000 K	1.850 lm



Autotest / CableCom Order code	Logica Order code	Logica FM Order code	Version	Housing	LED	Φ= 1 h	Φ= 3 h	Φ= 8 h		S~
Surface wall mounting, surface ceiling mounting <sup>1</sup>										
37123	37124	37125	3K	black	68	340 lm	170 lm	68 lm	LIFE 6.4 V / 1.5 Ah	8 VA
37120	37121	37122	4K	black	68	340 lm	170 lm	68 lm	LIFE 6.4 V / 1.5 Ah	8 VA
37129	37130	37131	3K	grey	68	340 lm	170 lm	68 lm	LIFE 6.4 V / 1.5 Ah	8 VA
37126	37127	37128	4K	grey	68	340 lm	170 lm	68 lm	LIFE 6.4 V / 1.5 Ah	8 VA
Surface wall mounting, surface ceiling mounting <sup>1</sup> with motion detector <sup>2</sup>										
37233	37234	37235	3K	black	68	340 lm	170 lm	68 lm	LIFE 6.4 V / 1.5 Ah	8 VA
37230	37231	37232	4K	black	68	340 lm	170 lm	68 lm	LIFE 6.4 V / 1.5 Ah	8 VA
37239	37240	37241	3K	grey	68	340 lm	170 lm	68 lm	LIFE 6.4 V / 1.5 Ah	8 VA
37236	37237	37238	4K	grey	68	340 lm	170 lm	68 lm	LIFE 6.4 V / 1.5 Ah	8 VA

**SICURO** DECENTRAL SUPPLY

Sicuro24 Order code	Version	Housing	LED	Φ=	P=
Surface wall mounting, surface ceiling mounting <sup>3</sup>					
32066	3K	black	68	340 lm	4.3 W
32065	4K	black	68	340 lm	4.3 W
32068	3K	grey	68	340 lm	4.3 W
32067	4K	grey	68	340 lm	4.3 W
Surface wall mounting, surface ceiling mounting <sup>3</sup> with motion detector <sup>2</sup>					
32121	3K	black	68	340 lm	4.3 W
32120	4K	black	68	340 lm	4.3 W
32123	3K	grey	68	340 lm	4.3 W
32122	4K	grey	68	340 lm	4.3 W

<sup>1</sup> Small LED circuit: with LIFE driver module for safety lighting.  
Large LED circuit: LED driver for general lighting.

<sup>2</sup> The motion detector requires either a separate supply cable or additional supply wires from the general lighting (if present) with continuous voltage (230 V / 50 Hz).

<sup>3</sup> Small LED circuit: with S24 driver module G31445 for safety lighting.  
Large LED circuit: LED driver for general lighting.

<sup>4</sup> Small LED circuit: not used.  
Large LED circuit: with S230 module 17382 and LED driver for safety lighting.

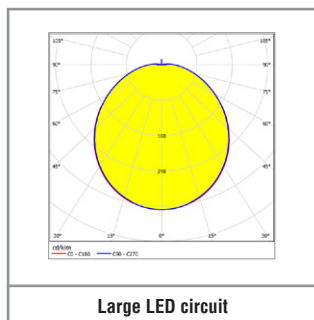
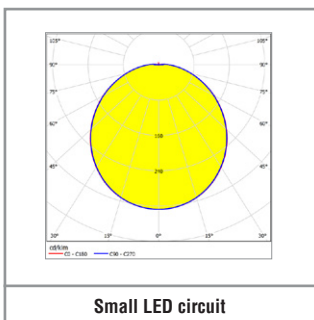
<sup>5</sup> Small LED circuit: with S230 driver module 17380 for safety lighting.  
Large LED circuit: LED driver for general lighting.

<sup>6</sup> Small LED circuit: not used.  
Large LED circuit: LED driver for general lighting or safety lighting.

<sup>7</sup> Small LED circuit: LED driver for safety lighting.  
Large LED circuit: LED driver for general lighting.

**SICURO** CENTRAL SUPPLY

Sicuro230 Order code	Version	Housing	LED	Φ=	S~	P=
Surface wall mounting, surface ceiling mounting with luminaire monitoring (EÜ), without reduced power in battery operation <sup>4</sup>						
31086	3K	black	68	1.850 lm	20 VA / 18.5 W	
31082	4K	black	68	1.850 lm	20 VA / 18.5 W	
31094	3K	grey	68	1.850 lm	20 VA / 18.5 W	
31090	4K	grey	68	1.850 lm	20 VA / 18.5 W	
Surface wall mounting, surface ceiling mounting with luminaire monitoring (EÜ) and reduced power in battery operation <sup>5</sup>						
31087	3K	black	68	340 lm	20 VA / 4.7 W	
31083	4K	black	68	340 lm	20 VA / 4.7 W	
31095	3K	grey	68	340 lm	20 VA / 4.7 W	
31091	4K	grey	68	340 lm	20 VA / 4.7 W	
Surface wall mounting, surface ceiling mounting with circuit monitoring (SÜ), without reduced power in battery operation <sup>6</sup>						
31088	3K	black	68	1.850 lm	18.5 VA / 17 W	
31084	4K	black	68	1.850 lm	18.5 VA / 17 W	
31096	3K	grey	68	1.850 lm	18.5 VA / 17 W	
31092	4K	grey	68	1.850 lm	18.5 VA / 17 W	
Surface wall mounting, surface ceiling mounting with circuit monitoring (SÜ) and reduced power in battery operation <sup>7</sup>						
31089	3K	black	68	340 lm	20 VA / 5.4 W	
31085	4K	black	68	340 lm	20 VA / 5.4 W	
31097	3K	grey	68	340 lm	20 VA / 5.4 W	
31093	4K	grey	68	340 lm	20 VA / 5.4 W	
Surface wall mounting, surface ceiling mounting with luminaire monitoring (EÜ), without reduced power in battery operation <sup>4</sup> with motion detector <sup>2</sup>						
31204	3K	black	68	1.850 lm	20 VA / 18.5 W	
31200	4K	black	68	1.850 lm	20 VA / 18.5 W	
31212	3K	grey	68	1.850 lm	20 VA / 18.5 W	
31208	4K	grey	68	1.850 lm	20 VA / 18.5 W	
Surface wall mounting, surface ceiling mounting with luminaire monitoring (EÜ) and reduced power in battery operation <sup>5</sup> with motion detector <sup>2</sup>						
31205	3K	black	68	340 lm	20 VA / 4.7 W	
31201	4K	black	68	340 lm	20 VA / 4.7 W	
31213	3K	grey	68	340 lm	20 VA / 4.7 W	
31209	4K	grey	68	340 lm	20 VA / 4.7 W	
Surface wall mounting, surface ceiling mounting with circuit monitoring (SÜ), without reduced power in battery operation <sup>6</sup> with motion detector <sup>2</sup>						
31206	3K	black	68	1.850 lm	18.5 VA / 17 W	
31202	4K	black	68	1.850 lm	18.5 VA / 17 W	
31214	3K	grey	68	1.850 lm	18.5 VA / 17 W	
31210	4K	grey	68	1.850 lm	18.5 VA / 17 W	
Surface wall mounting, surface ceiling mounting with circuit monitoring (SÜ) and reduced power in battery operation <sup>7</sup> with motion detector <sup>2</sup>						
31207	3K	black	68	340 lm	20 VA / 5.4 W	
31203	4K	black	68	340 lm	20 VA / 5.4 W	
31215	3K	grey	68	340 lm	20 VA / 5.4 W	
31211	4K	grey	68	340 lm	20 VA / 5.4 W	



## ACCIAIO HIGH



**High type of protection and high impact resistance.** Housing made of sheet steel with caps made of diecast aluminium. High-power LEDs with light guidance through special lenses for asymmetrical shining light distribution with extreme large luminaire distances of > 100 m at heights of 2.5 to 20 m, f. i. in tunnels or halls (illumination of escape routes with 1 lx). Extremely resistant against mechanical and chemical stress.

Versions for surface wall and ceiling mounting and chain/wire, additional accessory: swivelable wall holder

### MOUNTING TYPES



### TECHNICAL DATA

<b>Housing:</b>	Sheet steel, grey (RAL 7035)	<b>Color stability:</b>	3 SDCM
<b>Caps:</b>	Diecast aluminium, grey (RAL 7035)	<b>Color temperature:</b>	5.700 K
<b>Lenses:</b>	PMMA, transparent	<b>Color rendering index:</b>	80
<b>Service life <math>L_{80}B_{20}</math>:</b>	50.000 h		



### DECENTRAL SUPPLY

<b>Mains supply:</b>	24 V +/- 20 % DC
<b>Battery supply:</b>	24 V +/- 20 % DC
<b>Ambient temperature:</b>	-20 °C to +40 °C
<b>Protection class:</b>	III

### CENTRAL SUPPLY

<b>Mains supply:</b>	198V – 254V/50Hz
<b>Battery supply:</b>	176 V – 276 V
<b>Ambient temperature:</b>	-20 °C to +40 °C
<b>Protection class:</b>	I

### Variant

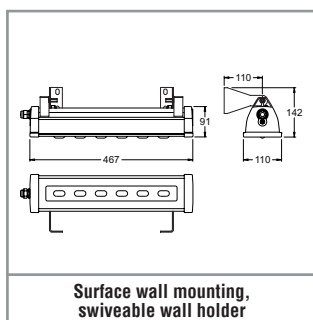
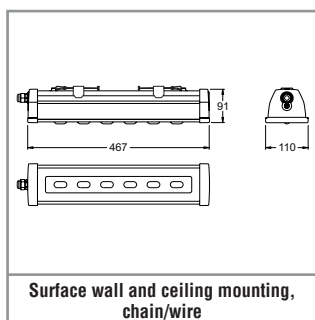
Sicuro24

Sicuro230




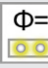

–

2.250 lm





## SICURO<sup>LED</sup> DECENTRAL SUPPLY

Sicuro24 Order code	LED 	$\Phi$ = 	P= 
Surface wall mounting, surface ceiling mounting, chain/wire			
32084 <sup>1</sup>	6	750 lm 1.500 lm	8 W 16 W




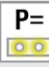
<sup>1</sup> With S24 inverter module G31446, only for non-maintained mode, light flux / power programmable over S24 station.

<sup>2</sup> With S230 module 17382 and LED driver.

<sup>3</sup> With LED driver.

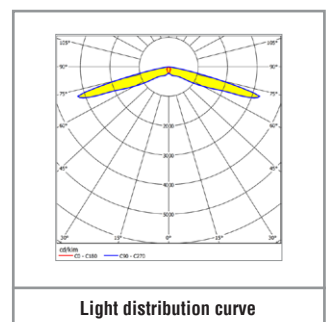
<sup>4</sup> 1 piece per luminaire required.

## SICURO<sup>LED</sup> CENTRAL SUPPLY

Sicuro230 Order code	LED 	$\Phi$ = 	S~ 	P= 
Surface wall mounting, surface ceiling mounting, chain/wire <b>with luminaire monitoring (EÜ)</b>				
31114 <sup>2</sup>	6	2.250 lm	26 VA / 23.5 W	
Surface wall mounting, surface ceiling mounting, chain/wire <b>with circuit monitoring (SÜ)</b>				
31115 <sup>3</sup>	6	2.250 lm	25.5 VA / 22 W	



Please order accessories separately	
Order code	Description
15015 <sup>4</sup>	Wall holder, swiveable (+/- 90°)





## LLL EXTREME

**High type of protection and high impact resistance.** Housing made of diecast aluminium in square shape. High-power LEDs with light guidance through special lenses for asymmetrical light distribution (illumination of escape routes with 1 lx) or for symmetrical light distribution (illumination of areas with 0.5 lx). Explosion-protected for zone 2 (II 3G Ex nA IIB T4 Gc) and zone 22 (II 3D Ex tc IIIC T80°C Dc) except of the accessory 15049. Extremely resistant against mechanical and chemical stress. All luminaires, except of the accessories 15043, 15044 and 15049, are suitable for the use in sport sites (certificate of accredited body available).

Versions for surface wall and ceiling mounting, excluding swivelable wall holder and with additional accessories for recessed wall and ceiling mounting and surface wall mounting with swivelable wall holder

### MOUNTING TYPES



### MOUNTING TYPES WITH ACCESSORIES



### TECHNICAL DATA

<b>Housing:</b>	Diecast aluminium, grey (RAL 7040)	<b>Color temperature:</b>	4.000 K
<b>Lens:</b>	PMMA, transparent	<b>Color rendering index:</b>	70
<b>Service life L<sub>90</sub>B<sub>20</sub>:</b>	50.000 h	<b>Optic interface:</b>	LIFE
<b>Color stability:</b>	3 SDCM		



**Commissioning:** For Autotest, operating duration 8h, operating mode PS, monitoring group and test duration are only programmable per app B.connect over smartphone locally on luminaire.

### SELF-CONTAINED SUPPLY

<b>Mains supply:</b>	198 V – 254 V/50 Hz
<b>Switching:</b>	Maintained and non-maintained
<b>Ambient temperature:</b>	0 °C to +40 °C
<b>Protection class:</b>	I

### DECENTRAL SUPPLY

<b>Mains supply:</b>	24 V +/- 20 % DC
<b>Battery supply:</b>	24 V +/- 20 % DC
<b>Ambient temperature:</b>	-20 °C to +40 °C
<b>Protection class:</b>	III with connection only to low voltage, I with additional connection to voltages above low voltage

### CENTRAL SUPPLY

<b>Mains supply:</b>	198 V – 254 V/50 Hz
<b>Battery supply:</b>	176 V – 276 V
<b>Ambient temperature:</b>	-20 °C to +40 °C
<b>Protection class:</b>	I

#### Variant

#### LIFE

Sicuro24 / Sicuro230



575 lm

1.400 lm

### FORMULAS FOR CALCULATION OF THE RESPECTABLE LIGHT FLUX IN MAINS AND BATTERY OPERATION

Ideational light flux of luminaire in mains operation [%] = 100 %

Respectable light flux of luminaire in mains operation [lm] =

$$\text{Respectable light flux of luminaire in mains operation [\%]} \times \frac{\text{Ideational light flux of luminaire in mains operation [lm]}}{100 \%}$$

Ideational light flux of luminaire in battery operation [%] = 100 %

Respectable light flux of luminaire in battery operation [lm] =

$$\text{Respectable light flux of luminaire in battery operation [\%]} \times \frac{\text{Ideational light flux of luminaire in battery operation [lm]}}{100 \%}$$

Autotest / CableCom Order code	Logica Order code	Logica FM Order code	LED	$\Phi=$ 5 1 h	$\Phi=$ 5 3 h	$\Phi=$ 5 8 h		S~
Surface wall mounting, surface ceiling mounting, for escape route and area illumination with 5 changeable lenses <sup>1</sup>								
19370	19370+15036 <sup>2</sup>	19370+15049 <sup>2,4</sup>	4	1.155 lm	385 lm	144 lm	2x LIFE 6.4 V / 1.5 Ah	13.4 VA

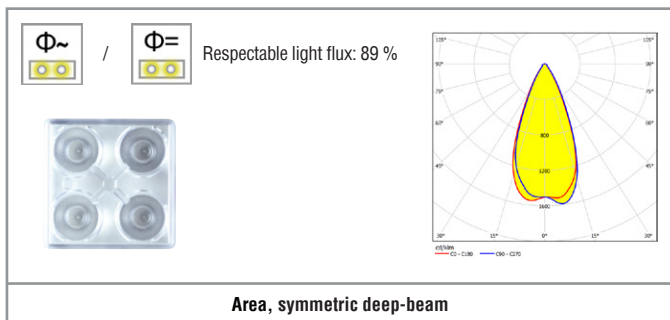
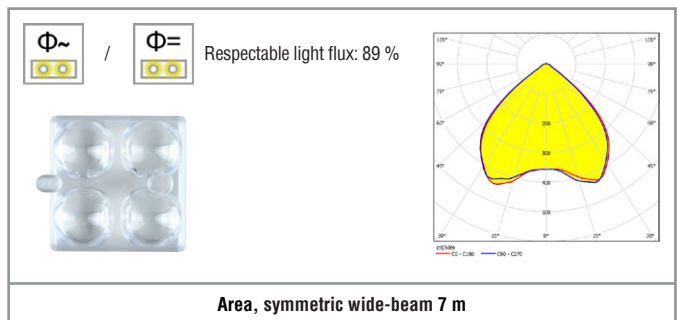
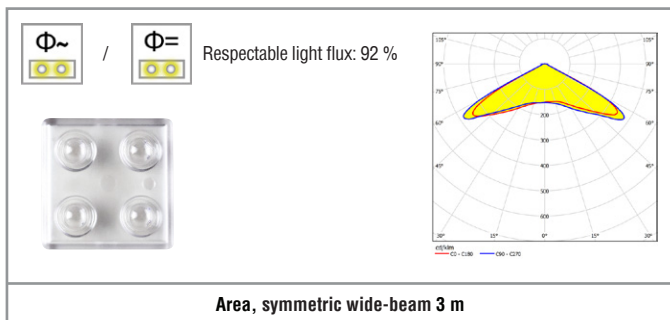
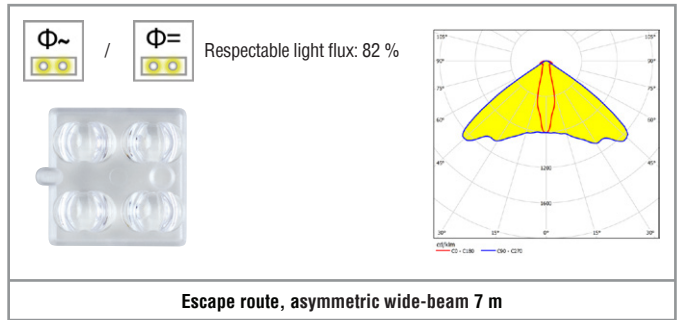
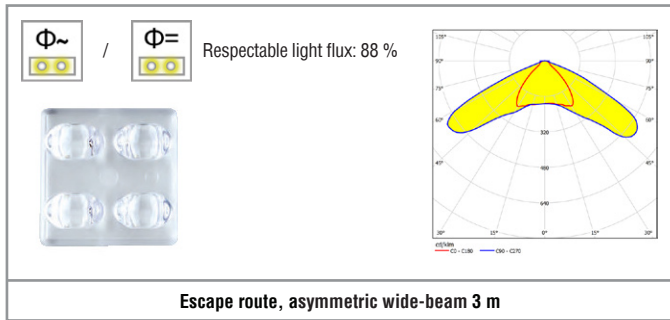
**SICURO** DECENTRAL SUPPLY

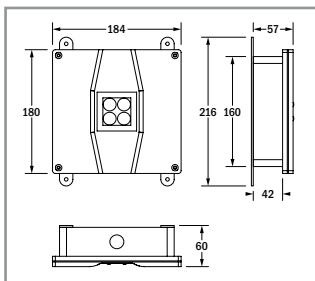
Sicuro24 Order code	LED	$\Phi=$ 5	P=
Surface wall mounting, surface ceiling mounting, for escape route and area illumination with 5 changeable lenses <sup>1</sup>			
32083	4	1.100 lm	7.4 W

**SICURO** CENTRAL SUPPLY

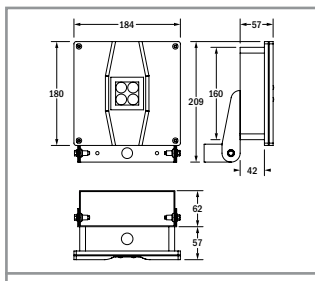
Sicuro230 Order code	LED	$\Phi=$ 5	S~	P=
Surface wall mounting, surface ceiling mounting, <b>with luminaire monitoring (EÜ)</b> , for escape route and area illumination with 5 changeable lenses <sup>1</sup>				
31112	4	1.400 lm	24.1 VA / 11.2 W	
Surface wall mounting, surface ceiling mounting, <b>with circuit monitoring (SÜ)</b> , for escape route and area illumination with 5 changeable lenses <sup>1</sup>				
31113	4	1.400 lm	22.2 VA / 10.7 W	

<sup>1</sup> Please order additional accessories for recessed wall and ceiling mounting and surface wall mounting with swiveable wall holder separately.  
<sup>2</sup> Please order Logica interface (15036) and Logica FM interface (15049) separately.  
 The Logica FM interface (15049) is not suitable for the explosion protection in zone 2 (II 3G Ex nA IIB T4 Gc) and zone 22 (II 3D Ex tc IIIC T80°C Dc).  
<sup>3</sup> 1 piece per luminaire required.  
<sup>4</sup> The accessory is not suitable for the use in sport sites.  
<sup>5</sup> Ideational light flux of 100 %. Corresponds to no adjustable / programmable value.

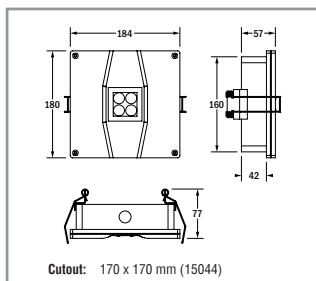




**Surface wall and ceiling mounting**



**Surface wall mounting, swiveable wall holder**



Cutout: 170 x 170 mm (15044)

**Recessed wall and ceiling mounting, hollow**



**Wall holder  
- 15043**



**Recessed mounting set, hollow  
- 15044**



**Extremely resistant housing – luminaire suitable for use in sport sites**



1x cable gland,  
included in scope of delivery

#### Included in scope of delivery

Order code	Description
-	Symmetrical wide-beam lens for mounting height 3.5 m (only for area illumination)
-	Symmetrical wide-beam lens for mounting height 7 m (only for area illumination)
-	Asymmetrical wide-beam lens for mounting height 3.5 m (only for escape route illumination)
-	Asymmetrical wide-beam lens for mounting height 7 m (only for escape route illumination)
-	Symmetrical deep-beam lens (only for area illumination)
-	1x cable gland, M20, stainless steel, ATEX

#### Please order accessories separately

Order code	Description
15043	Wall holder, swiveable (+110° / -47°) <sup>3 4</sup>
15044	Recessed mounting set for hollow walls / hollow ceilings <sup>4</sup>

#### Please order further accessories separately (only for LIFE)

Order code	Description
15036	Logica interface
15049	Logica FM interface (IP65, luminaire attachment) <sup>4</sup>
15038	DALI interface (for connection to DALI central of the general or safety lighting)

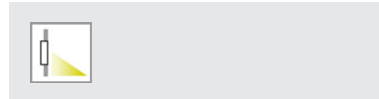


## S-IN

**Safety luminaire for steps.** Housing made of aluminium with lamella and frame bezel, exchangeable. Recessed housing for massive steps included in scope of delivery.

Version for recessed step mounting

### MOUNTING TYPES



### TECHNICAL DATA

<b>Housing:</b>	Aluminium, grey (RAL 7037)	<b>Service life <math>L_{80, B_{20}}</math>:</b>	50.000 h
<b>Cover:</b>	Diecast aluminium, grey (RAL 7037)	<b>Color stability:</b>	3 SDCM
<b>Pane:</b>	Glass, opal	<b>Color temperature:</b>	6.500 K
		<b>Color rendering index:</b>	70



### DECENTRAL SUPPLY

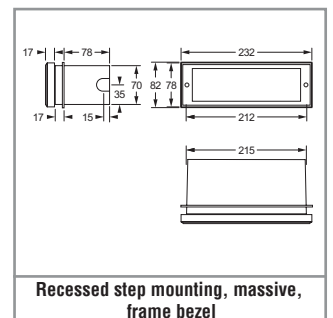
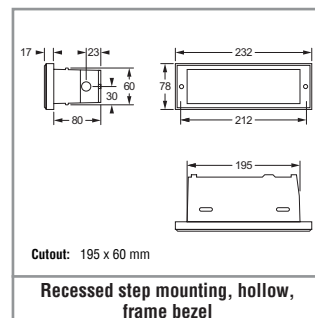
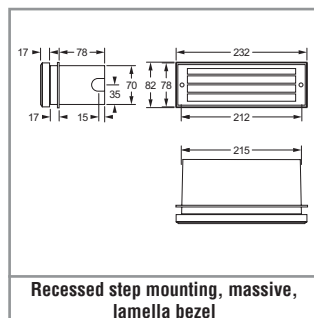
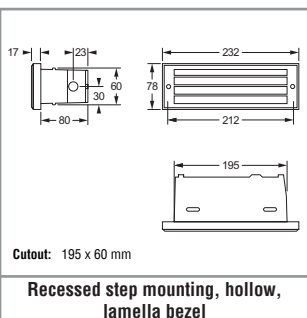
<b>Mains supply:</b>	24 V +/- 20 % DC
<b>Battery supply:</b>	24 V +/- 20 % DC
<b>Ambient temperature:</b>	-20 °C to +40 °C
<b>Protection class:</b>	III

### CENTRAL SUPPLY

<b>Mains supply:</b>	198 V – 254 V / 50 Hz
<b>Battery supply:</b>	176 V – 276 V
<b>Ambient temperature:</b>	-20 °C to +40 °C
<b>Protection class:</b>	I
<b>Mains supply (alt.):</b>	90 V – 254 V / 50/60 Hz
<b>Battery supply (alt.):</b>	90 V – 276 V

### Variant

Variant	Φ~ 
Sicuro24 – with lamella bezel	29 lm
Sicuro24 – with frame bezel	133 lm
Sicuro230 – with lamella bezel	29 lm
Sicuro230 – with frame bezel	133 lm



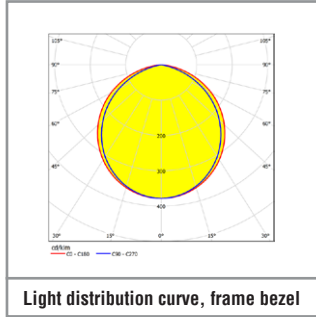
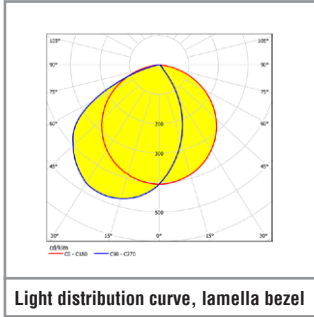
**SICURO** LED **DECENTRAL SUPPLY**

<b>Sicuro24</b> Order code	<b>LED</b> 	$\Phi=$ 	<b>P=</b> 
Recessed step mounting <sup>1</sup>			
<b>32031</b>	3	29 lm (lamella bezel) 133 lm (frame bezel)	4.3 W

**SICURO** LED **CENTRAL SUPPLY**

<b>Sicuro230</b> Order code	<b>LED</b> 	$\Phi=$ 	<b>S~</b> 	<b>P=</b> 
Recessed step mounting <sup>1</sup>				
<b>31031</b>	3	29 lm (lamella bezel) 133 lm (frame bezel)	8.9 VA / 4.5 W	

<sup>1</sup> Recessed step mounting massive and hollow possible.



Included in scope of delivery	
Order code	Description
-	Recessed mounting set for massive steps
-	Recessed mounting set for hollow steps

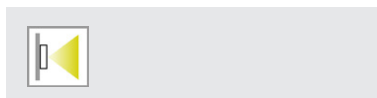
## TRIANGLE



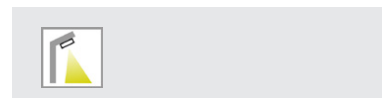
**Housing made of stainless sheet steel** in white or unpainted in triangular design with light-emitting surface downwards. High-power LED with light guidance through special lenses for asymmetrical light distribution (illumination of escape routes with 1 lx) or for symmetrical light distribution (illumination of areas with 0.5 lx).

Versions for surface wall mounting and with additional accessory for bollard (only S230 and S24)

### MOUNTING TYPES



### MOUNTING TYPES WITH ACCESSORIES



### TECHNICAL DATA

**Housing:** Stainless sheet steel, V2A, white (RAL 9010)  
Stainless sheet steel, V2A

**Pane:** PMMA, transparent

**Lens:** PMMA, transparent

**Service life  $L_{80} B_{20}$ :** 50.000 h

**Color stability:** 3 SDCM

**Color temperature:** 4.000 K

**Color rendering index:** 70

**Optic interface:** LIFE



**Commissioning:** For Autotest, operating duration, operating mode PS, monitoring group and test duration are only programmable per app B.connect over smartphone locally on luminaire.

### SELF-CONTAINED SUPPLY

**Mains supply:** 198 V – 254 V / 50 Hz

**Switching:** Maintained and non-maintained

**Ambient temperature:** 0 °C to +40 °C

**Protection class:** I

### DECENTRAL SUPPLY

**Mains supply:** 24 V +/- 20 % DC

**Battery supply:** 24 V +/- 20 % DC

**Ambient temperature:** -20 °C to +40 °C

**Protection class:** III

### CENTRAL SUPPLY

**Mains supply:** 198 V – 254 V / 50 Hz

**Battery supply:** 176 V – 276 V

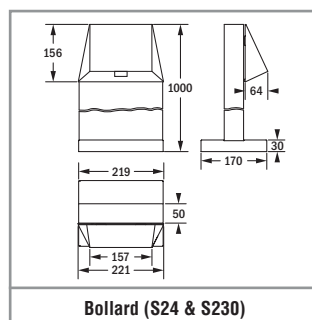
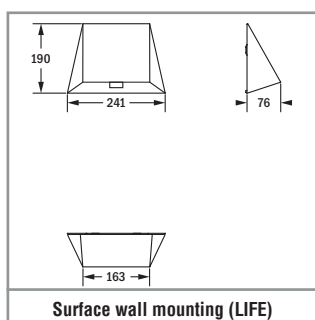
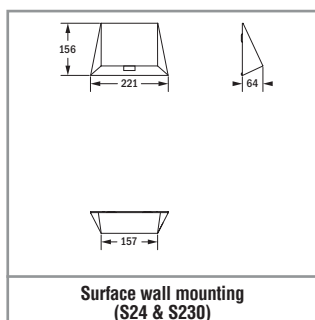
**Ambient temperature:** -20 °C to +40 °C

**Protection class:** I

**Mains supply (alt.):** 90 V – 254 V / 50/60 Hz

**Battery supply (alt.):** 90 V – 276 V

Variant	Area 3,5 m	Area 7 m	Escape route
LIFE	199 lm	203 lm	186 lm
Sicuro24 / Sicuro230	265 lm	271 lm	248 lm





Autotest / CableCom Order code	Logica Order code	Logica FM Order code	Version	LED	Φ= 1 h	Φ= 3 h	Φ= 8 h		S~
-----------------------------------	----------------------	-------------------------	---------	-----	--------	--------	--------	--	----

Surface wall mounting for escape route illumination or area illumination with 3 changeable lenses

37270	37271	37272	V2A, white	1	Escape route 248 lm	Escape route 143 lm	Escape route 50 lm	LIFE 6.4 V / 1.5 Ah	8 VA
					Area 3.5 m / 7 m 265 lm / 271 lm	Area 3.5 m / 7 m 152 lm / 157 lm	Area 3.5 m / 7 m 53 lm / 54 lm		
37273	37274	37275	V2A	1	Escape route 248 lm	Escape route 143 lm	Escape route 50 lm	LIFE 6.4 V / 1.5 Ah	8 VA
					Area 3.5 m / 7 m 265 lm / 271 lm	Area 3.5 m / 7 m 152 lm / 157 lm	Area 3.5 m / 7 m 53 lm / 54 lm		

**SICURO** DECENTRAL SUPPLY

Sicuro24 Order code	Version	LED	Φ=	P=
------------------------	---------	-----	----	----

Surface wall mounting for escape route illumination or area illumination with 3 changeable lenses<sup>1</sup>

32057	V2A, white	1	Escape route 248 lm	3.8 W
			Area 3.5 m / 7 m 265 lm / 271 lm	
32058	V2A	1	Escape route 248 lm	3.8 W
			Area 3.5 m / 7 m 265 lm / 271 lm	

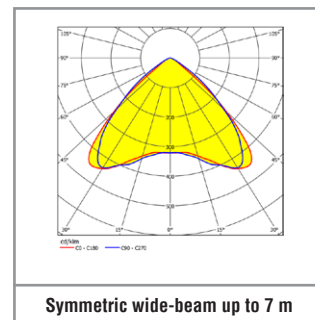
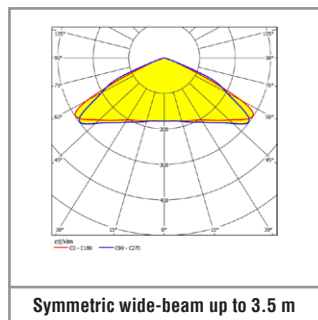
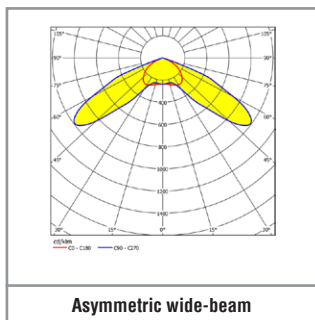
**SICURO** CENTRAL SUPPLY

Sicuro230 Order code	Version	LED	Φ=	S~	P=
-------------------------	---------	-----	----	----	----

Surface wall mounting for escape route illumination or area illumination with 3 changeable lenses<sup>1</sup>

31056	V2A, white	1	Escape route 248 lm	8.3VA / 4.1 W
			Area 3.5 m / 7 m 265 lm / 271 lm	
31057	V2A	1	Escape route 248 lm	8.3VA / 4.1 W
			Area 3.5 m / 7 m 265 lm / 271 lm	

<sup>1</sup> Please order additional required accessories for bollard separately.



Included in scope of delivery	
Order code	Description
-	Symmetrical wide-beam lens for mounting height 3.5 m
-	Symmetrical wide-beam lens for mounting height 7 m
-	Asymmetrical wide-beam lens

Please order accessories separately	
Order code	Description
F95940	Bollard for S230 and S24, stainless sheet steel, V2A, white (RAL 9010)
F95941	Bollard for S230 and S24, stainless sheet steel, V2A



## F30 / F50 / F70 LED

**Combined general and safety luminaire with high type of protection and high impact resistance.** Spotlight luminaire in housing made of die-cast aluminium with pane made of tempered glass, microprismatic and high high-specular reflector made of aluminium. Pane coupled with the housing through hinge and closures made of stainless steel. Swivelable holder (+/- 180°). Light distribution symmetrical wide-beam or asymmetrical narrow-beam, alterable.

Versions for surface wall, ceiling and floor mounting

Also deliverable as luminaire for general lighting

### MOUNTING TYPES



### TECHNICAL DATA

<b>Housing:</b>	Diecast aluminium, grey (RAL 7040)	<b>Color stability:</b>	3 SDCM
<b>Pane:</b>	Tempered glass, microprismatic	<b>Color temperature:</b>	4.000 K
<b>Reflector:</b>	Aluminium, high-specular	<b>Color rendering index:</b>	80
<b>Service life L<sub>80</sub>B<sub>50</sub>:</b>	50.000 h		



### SELF-CONTAINED SUPPLY

<b>Mains supply:</b>	198 V – 254 V/50 Hz
<b>Switching:</b>	Maintained and non-maintained
<b>Ambient temperature:</b>	-20 °C to +45 °C (luminaire) 0 °C to +40 °C (equipment housing)
<b>Protection class:</b>	I

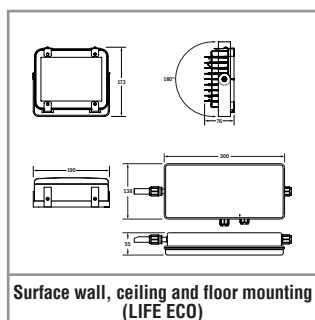
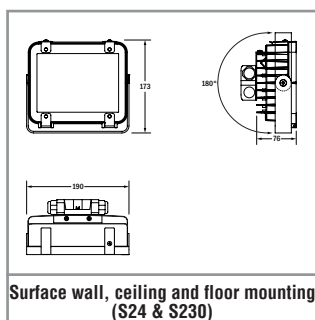
### DECENTRAL SUPPLY


<b>Mains supply:</b>	24 V +/- 20 % DC
<b>Battery supply:</b>	24 V +/- 20 % DC
<b>Ambient temperature:</b>	-20 °C to +40 °C
<b>Protection class:</b>	III with connection only to low voltage, I with additional connection to voltages above low voltage

### CENTRAL SUPPLY

<b>Mains supply:</b>	198 V – 254 V/50 Hz
<b>Battery supply:</b>	176 V – 276 V
<b>Ambient temperature:</b>	-20 °C to +40 °C
<b>Protection class:</b>	I

Variant	Order code	Type	
LIFE ECO / Sicuro24 / Sicuro230 – with symmetric or asymmetric adjusted reflector	37219 / 37220 / 32071 / 31100	F30	1.800 lm
	37221 / 37222 / 32072 / 31101	F50	3.000 lm
	37223 / 37224 / 32073 / 31102	F70	4.000 lm



Autotest Order code	Logica Order code	Logica FM Order code	LED	Φ= 1 h	Φ= 3 h	Φ= 8 h		S~
Surface wall, ceiling or floor mounting <sup>1</sup>								
37219	37219	37220	33	1.050 lm	350 lm	130 lm	LIFE 12.8 V / 1.5 Ah	21 VA
37221	37221	37222	66	1.150 lm	380 lm	140 lm	LIFE 12.8 V / 1.5 Ah	31 VA
37223	37223	37224	99	1.080 lm	360 lm	135 lm	LIFE 12.8 V / 1.5 Ah	44 VA

**SICURO** LED DECENTRAL SUPPLY

Sicuro24 Order code	LED	Φ=	P=
Surface wall, ceiling or floor mounting <sup>2</sup>			
32071	33	635 lm / 1.270 lm	8 W / 16 W
32072	66	690 lm / 1.380 lm	8 W / 16 W
32073	99	650 lm / 1.290 lm	8 W / 16 W

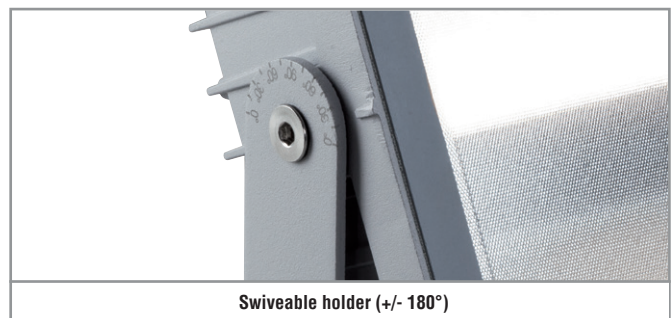
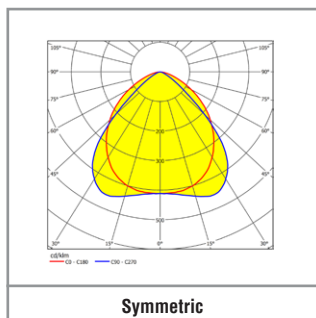
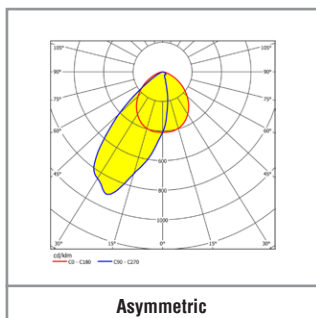
**SICURO** LED CENTRAL SUPPLY

Sicuro230 Order code	LED	Φ=	S~	P=
Surface wall, ceiling or floor mounting <sup>3</sup>				
31100	33	1.800 lm	20.5 VA / 17 W	
31101	66	3.000 lm	30.5 VA / 26 W	
31102	99	4.000 lm	43 VA / 37 W	

<sup>1</sup> With LIFE ECO inverter module 19391 and LED driver, for maintained mode and non-maintained mode.

<sup>2</sup> With S24 inverter module G31446 and LED driver, light flux / power programmable over S24 station.

<sup>3</sup> With S230 module 17382 and LED driver.





## UP LED M

**Downlight with housing and cover made of sheet steel.** High-power LED with light guidance through special lenses for asymmetrical shining light distribution (illumination of escape routes with 1 lx) or symmetrical shining light distribution (illumination of areas with 0.5 lx). Three optics in one luminaire - Through three supplied lenses (1x asymmetrical and 2x symmetrical for 3.5 m and 7 m mounting height).

Version for recessed ceiling mounting

### MOUNTING TYPES



### TECHNICAL DATA

<b>Housing:</b>	Sheet steel, galvanized
<b>Cover:</b>	Sheet steel, white (RAL 9010)
<b>Lens:</b>	PMMA, transparent
<b>Type of protection:</b>	IP40 (cover) IP20 (backside, equipment housing)
<b>Service life L<sub>80</sub>B<sub>20</sub>:</b>	50.000 h

<b>Color stability:</b>	3 SDCM
<b>Color temperature:</b>	4.000 K
<b>Color rendering index:</b>	70
<b>Optic interface:</b>	LIFE



**Commissioning:** For Autotest, operating duration, operating mode PS, monitoring group and test duration are only programmable per app B.connect over smartphone locally on luminaire.

### SELF-CONTAINED SUPPLY

<b>Mains supply:</b>	198 V – 254 V/50 Hz
<b>Switching:</b>	Maintained and non-maintained
<b>Ambient temperature:</b>	0 °C to +40 °C
<b>Protection class:</b>	I

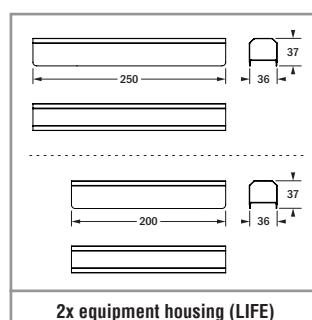
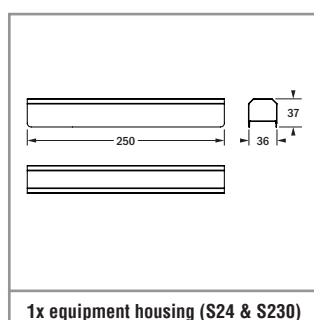
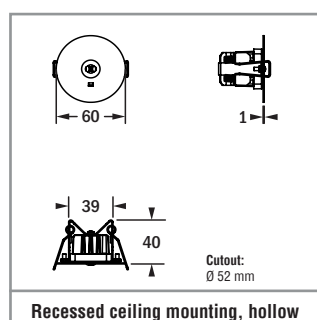
### DECENTRAL SUPPLY

<b>Mains supply:</b>	24 V +/- 20 % DC
<b>Battery supply:</b>	24 V +/- 20 % DC
<b>Ambient temperature:</b>	-20 °C to +40 °C
<b>Protection class:</b>	III

### CENTRAL SUPPLY

<b>Mains supply:</b>	198 V – 254 V/50 Hz
<b>Battery supply:</b>	176 V – 276 V
<b>Ambient temperature:</b>	-20 °C to +40 °C
<b>Protection class:</b>	I
<b>Mains supply (alt.):</b>	90 V – 254 V / 50/60 Hz
<b>Battery supply (alt.):</b>	90 V – 276 V

Variant	Area 3.5 m	Area 7 m	Escape route
<b>LIFE</b>	262 lm	243 lm	247 lm
<b>Sicuro24 / Sicuro230</b>	350 lm	323 lm	330 lm



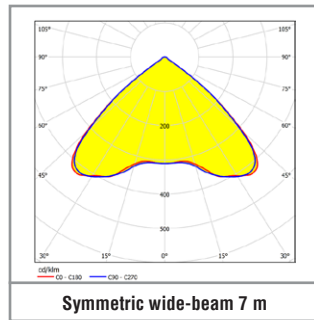
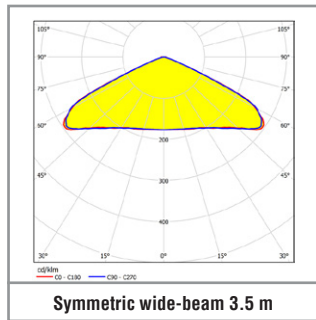
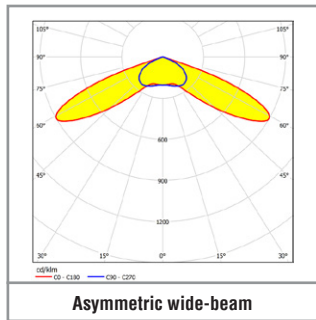
Autotest / CableCom Order code	Logica Order code	Logica FM Order code	LED	Φ= 1 h	Φ= 3 h	Φ= 8 h		S~
Recessed ceiling mounting for escape route and area illumination with 3 changeable lenses								
37245	37246	37247	1	Escape route 330 lm Area 3.5 m / 7 m 350 lm / 323 lm	Escape route 190 lm Area 3.5 m / 7 m 203 lm / 186 lm	Escape route 70 lm Area 3.5 m / 7 m 70 lm / 65 lm	LIFE 6.4 V / 1.5 Ah	8 VA

**SICURO** DECENTRAL SUPPLY

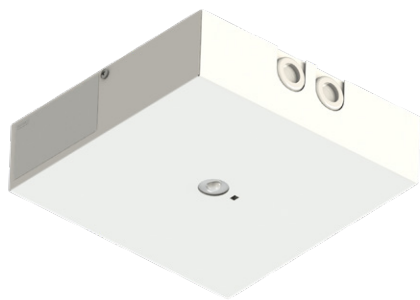
Sicuro24 Order code	LED	Φ=	P=
Recessed ceiling mounting for escape route and area illumination with 3 changeable lenses			
32104	1	Escape route 330 lm Area 3.5 m / 7 m 350 lm / 323 lm	3.8 W

**SICURO** CENTRAL SUPPLY

Sicuro230 Order code	LED	Φ=	S~	P=
Recessed ceiling mounting for escape route and area illumination with 3 changeable lenses				
31163	1	Escape route 330 lm Area 3.5 m / 7 m 350 lm / 323 lm	8.3 VA / 4.1 W	



Included in scope of delivery	
Order code	Description
-	Symmetrical wide-beam lens for mounting height 3.5 m
-	Symmetrical wide-beam lens for mounting height 7 m
-	Asymmetrical wide-beam lens



## UP LED C

**Downlight with housing and cover made of sheet steel.** High-power LED with light guidance through special lenses for asymmetrical shining light distribution (illumination of escape routes with 1 lx) or symmetrical shining light distribution (illumination of areas with 0.5 lx). Three optics in one luminaire - Through three supplied lenses (1x asymmetrical and 2x symmetrical for 3.5 m and 7 m mounting height).

Version for surface ceiling mounting

### MOUNTING TYPES



### TECHNICAL DATA

<b>Housing:</b>	Sheet steel, white (RAL 9010)	<b>Color stability:</b>	3 SDCM
<b>Cover:</b>	Sheet steel, white (RAL 9010)	<b>Color temperature:</b>	4.000 K
<b>Lens:</b>	PMMA, transparent	<b>Color rendering index:</b>	70
<b>Service life <math>L_{80}B_{20}</math>:</b>	50.000 h	<b>Optic interface:</b>	LIFE



**Commissioning:** For Autotest, operating duration, operating mode PS, monitoring group and test duration are only programmable per app B.connect over smartphone locally on luminaire.

### SELF-CONTAINED SUPPLY



<b>Mains supply:</b>	198 V – 254 V/50 Hz
<b>Switching:</b>	Maintained and non-maintained
<b>Ambient temperature:</b>	0 °C to +40 °C
<b>Protection class:</b>	I

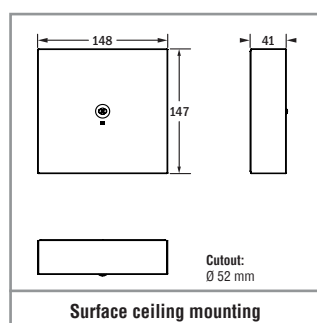
### DECENTRAL SUPPLY

<b>Mains supply:</b>	24 V +/- 20 % DC
<b>Battery supply:</b>	24 V +/- 20 % DC
<b>Ambient temperature:</b>	-20 °C to +40 °C
<b>Protection class:</b>	III

### CENTRAL SUPPLY

<b>Mains supply:</b>	198 V – 254 V/50 Hz
<b>Battery supply:</b>	176 V – 276 V
<b>Ambient temperature:</b>	-20 °C to +40 °C
<b>Protection class:</b>	I
<b>Mains supply (alt.):</b>	90 V – 254 V / 50/60 Hz
<b>Battery supply (alt.):</b>	90 V – 276 V

Variant	 Area 3.5 m	 Area 7 m	 Escape route
LIFE	262 lm	243 lm	247 lm
Sicuro24 / Sicuro230	350 lm	323 lm	330 lm



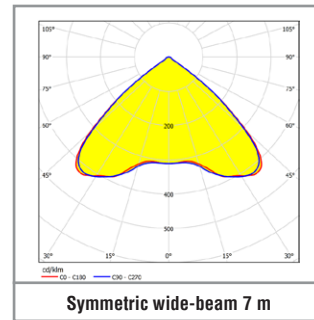
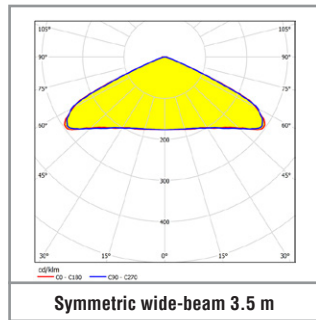
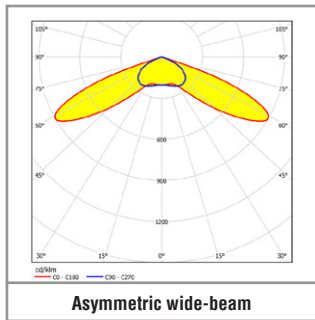
Autotest / CableCom Order code	Logica Order code	Logica FM Order code	LED	Φ= 1 h	Φ= 3 h	Φ= 8 h		S~
Surface ceiling mounting for escape route and area illumination with 3 changeable lenses								
37165	37166	37167	1	Escape route 330 lm Area 3.5 m / 7 m 350 lm / 323 lm	Escape route 190 lm Area 3.5 m / 7 m 203 lm / 186 lm	Escape route 70 lm Area 3.5 m / 7 m 70 lm / 65 lm	LIFE 6.4 V / 1.5 Ah	8 VA

**SICURO** DECENTRAL SUPPLY

Sicuro24 Order code	LED	Φ=	P=
Surface ceiling mounting for escape route and area illumination with 3 changeable lenses			
32103	1	Escape route 330 lm Area 3.5 m / 7 m 350 lm / 323 lm	3.8 W

**SICURO** CENTRAL SUPPLY

Sicuro230 Order code	LED	Φ=	S~	P=
Surface ceiling mounting for escape route and area illumination with 3 changeable lenses				
31162	1	Escape route 330 lm Area 3.5 m / 7 m 350 lm / 323 lm	8.3 VA / 4.1 W	



Included in scope of delivery	
Order code	Description
-	Symmetrical wide-beam lens for mounting height 3.5 m
-	Symmetrical wide-beam lens for mounting height 7 m
-	Asymmetrical wide-beam lens



## INFINITA LED X5

**Safety luminaire with housing and cover made of polycarbonate (PC).**

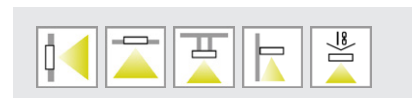
High type of protection (IP65) and high impact resistance (IK08). Numerous cable entries. The X5 system offers five optics in one luminaire – through five supplied lenses (for mounting heights of 2 m to over 12 m, luminaire distances for escape routes of up to 34 m) both escape routes and areas can be illuminated very efficiently.

Versions for surface wall and ceiling mounting and with additional accessories for recessed wall and ceiling mounting, pendulum, bracket and chain/wire

### MOUNTING TYPES



### MOUNTING TYPES WITH ACCESSORIES



### TECHNICAL DATA

<b>Housing:</b>	Polycarbonate, white (RAL 9003)	<b>Color temperature:</b>	4.000 K
<b>Cover:</b>	Polycarbonate, transparent	<b>Color rendering index:</b>	80
<b>Service life L<sub>80</sub>B<sub>20</sub>:</b>	50.000 h		



### SELF-CONTAINED SUPPLY

<b>Mains supply:</b>	198 V – 254 V / 50 Hz
<b>Switching:</b>	Maintained and non-maintained
<b>Ambient temperature:</b>	0 °C to +40 °C
<b>Protection class:</b>	II

### DECENTRAL SUPPLY

<b>Mains supply:</b>	24 V +/- 20 % DC
<b>Battery supply:</b>	24 V +/- 20 % DC
<b>Ambient temperature:</b>	-20 °C to +40 °C
<b>Protection class:</b>	III with connection only to low voltage, II with additional connection to voltages above low voltage

### CENTRAL SUPPLY

<b>Mains supply:</b>	198 V – 254 V / 50 Hz
<b>Battery supply:</b>	176 V – 276 V
<b>Ambient temperature:</b>	-20 °C to +40 °C
<b>Protection class:</b>	II

Variant



LIFE

700 lm

Sicuro24 / Sicuro230

1.100 lm

### FORMULAS FOR CALCULATION OF THE RESPECTABLE LIGHT FLUX IN MAINS AND BATTERY OPERATION

Ideational light flux of luminaire in mains operation [%] = 100 %

Respectable light flux of luminaire in mains operation [lm] =



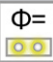
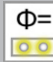


$$\text{Respectable light flux of luminaire in mains operation [\%]} \times \frac{\text{Ideational light flux of luminaire in mains operation [lm]}}{100 \%}$$

Ideational light flux of luminaire in battery operation [%] = 100 %


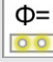
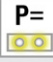
Respectable light flux of luminaire in battery operation [lm] =

$$\text{Respectable light flux of luminaire in battery operation [\%]} \times \frac{\text{Ideational light flux of luminaire in battery operation [lm]}}{100 \%}$$



Autotest Order code	Logica Order code	Logica FM Order code	LED	$\Phi=$ <sup>3</sup> 1 h	$\Phi=$ <sup>3</sup> 3 h		S~
19471 <sup>4</sup>	19471 <sup>4</sup>	19471 <sup>4</sup> +15037 <sup>2</sup>					
Surface wall mounting, surface ceiling mounting for escape route and area illumination with 5 changeable lenses <sup>1</sup>							
19471 <sup>4</sup>	19471 <sup>4</sup>	19471 <sup>4</sup> +15037 <sup>2</sup>	4	1.500 lm	550 lm	2x LIFE 9.6 V / 1.5 Ah	15 VA

**SICURO** DECENTRAL SUPPLY

Sicuro24 Order code	LED	$\Phi=$ <sup>3</sup>	P=
32112 <sup>5</sup>			
Surface wall mounting, surface ceiling mounting for escape route and area illumination with 5 changeable lenses <sup>1</sup>			
32112 <sup>5</sup>	4	500 lm	4.3 W

<sup>1</sup> Please order additional required accessories for recessed wall and ceiling mounting, pendulum, bracket and chain/wire separately.

<sup>2</sup> Please order Logica FM interface (15037) separately.

<sup>3</sup> Ideational light flux of 100 %. Corresponds to no adjustable / programmable value.

**Version UL for LIFE**

UL = ultimate large light flux in battery operation through battery 2x LIFE 9.6 V / 1.5 Ah.


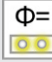

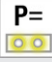
**Version XL for Sicuro24**

XL = extra large light flux in mains operation. Factory-made with light switch query and sub distribution monitoring through S24 inverter module G31446 in combination with a LED driver.

**Version XL for Sicuro230**

XL = extra large light flux in mains and battery operation. Factory-made with light switch query and sub distribution monitoring through S230 module 17382 in combination with a LED driver.

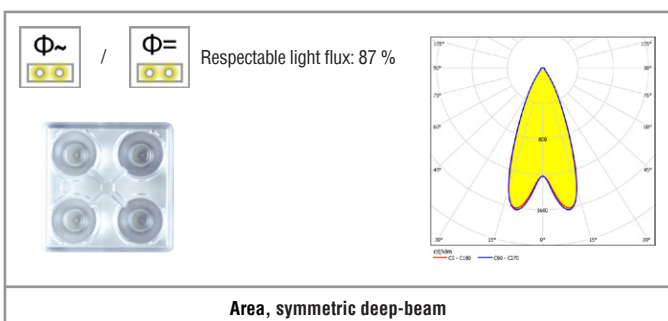
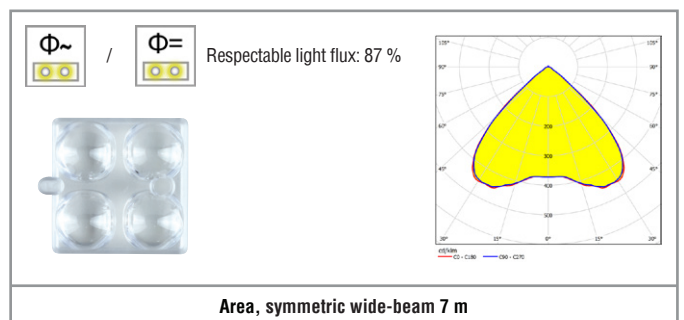
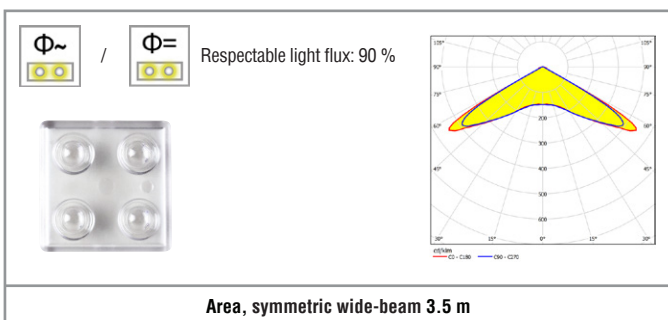
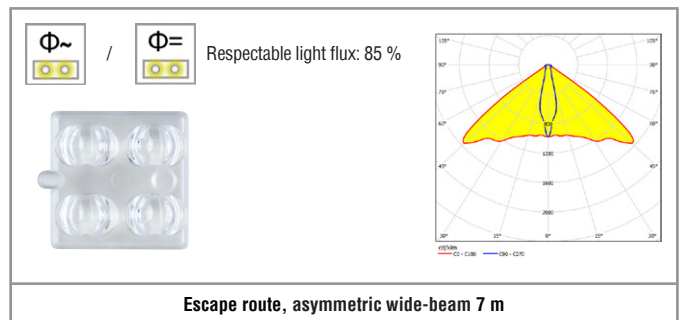
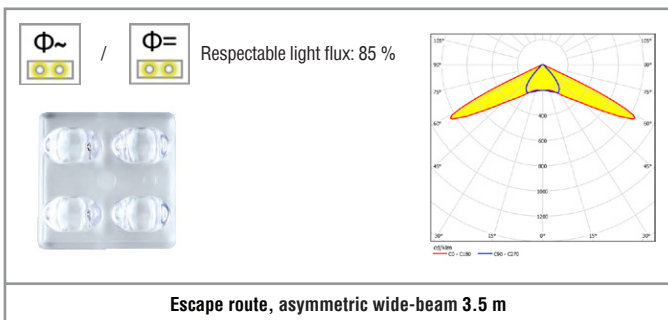
**SICURO** CENTRAL SUPPLY

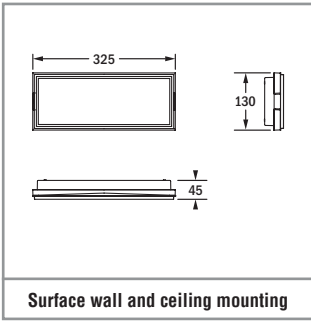
Sicuro230 Order code	LED	$\Phi=$ <sup>3</sup>	S~	P=
31172 <sup>6</sup>				
Surface wall mounting, surface ceiling mounting for escape route and area illumination with 5 changeable lenses <sup>1</sup>				
31172 <sup>6</sup>	4	1.100 lm	12.4 VA / 11.4 W	

<sup>4</sup> Version UL for LIFE.

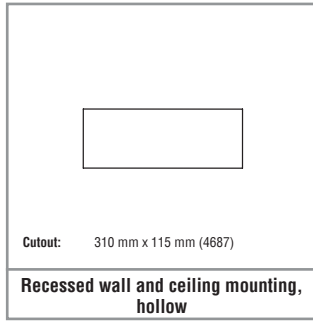
<sup>5</sup> Version XL for Sicuro24.

<sup>6</sup> Version XL for Sicuro230.

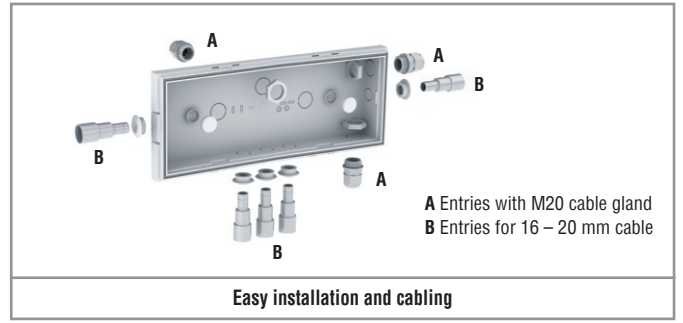




**Surface wall and ceiling mounting**



**Recessed wall and ceiling mounting,  
hollow**



**Easy installation and cabling**



Please order accessories separately	
Order code	Description
4683	Recessed mounting set for massive walls / massive ceilings (concrete-cast housing)
4685	Wall holder, not swiveable (-45°)
4686	Bracket
4687	Recessed mounting set for hollow walls / hollow ceilings
4315	Tubular pendulum, round, 250 mm
4316	Tubular pendulum, round, 500 mm
4317	Tubular pendulum, round, 1.000 mm
3723	Lug set for chain and wire mounting
3912	Protective basket

Please order further accessories separately (only for LIFE)	
Order code	Description
15037	Logica FM interface
15038	DALI interface (for connection to DALI central of the general or safety lighting)



## DOT

**Downlight with housing made of sheet steel and cover in high type of protection made of polyhydroxyalkanoate (PHA), a biopolyester overpaintable with wall paint.** One pair of high-power LEDs with light guidance through special lenses. Double optic in one luminaire – through a simple turn of the high-power LEDs either asymmetrical shining light distribution (illumination of escape routes with 1 lx) or symmetrical shining light distribution (illumination of areas with 0.5 lx).

Version for recessed ceiling mounting

### MOUNTING TYPES



### TECHNICAL DATA

<b>Housing:</b>	Sheet steel, white (RAL 9010)	<b>Color stability:</b>	3 SDCM
<b>Cover:</b>	PHA, white (RAL 9003)	<b>Color temperature:</b>	4.000 K
<b>Lenses:</b>	PMMA, transparent	<b>Color rendering index:</b>	70
<b>Type of protection:</b>	IP65 (cover) IP20 (backside, equipment housing)	<b>Optic interface:</b>	LIFE
<b>Service life L<sub>80</sub>B<sub>20</sub>:</b>	50.000 h		



**Commissioning - LIFE:** For Autotest, operating duration, operating mode PS, monitoring group and test duration are only programmable per app B.connect over smartphone locally on luminaire.

### SELF-CONTAINED SUPPLY

<b>Mains supply:</b>	198 V – 254 V / 50 Hz
<b>Switching:</b>	Maintained and non-maintained or non-maintained
<b>Ambient temperature:</b>	0 °C to +40 °C
<b>Protection class:</b>	I

### DECENTRAL SUPPLY

<b>Mains supply:</b>	24 V +/- 20 % DC
<b>Battery supply:</b>	24 V +/- 20 % DC
<b>Ambient temperature:</b>	-20 °C to +40 °C
<b>Protection class:</b>	III

### CENTRAL SUPPLY

<b>Mains supply:</b>	198 V – 254 V / 50 Hz
<b>Battery supply:</b>	176 V – 276 V
<b>Ambient temperature:</b>	-20 °C to +40 °C
<b>Protection class:</b>	I
<b>Mains supply (alt.):</b>	90 V – 254 V / 50/60 Hz
<b>Battery supply (alt.):</b>	90 V – 276 V

<b>Variant</b>	4
<b>LIFE</b>	240 lm
<b>LIFE ECO</b>	-
<b>Sicuro24 / Sicuro230</b>	550 lm

### FORMULAS FOR CALCULATION OF THE RESPECTABLE LIGHT FLUX IN MAINS AND BATTERY OPERATION

Ideational light flux of luminaire in mains operation [%] = 100 %

Respectable light flux of luminaire in mains operation [lm] =

$$\text{Respectable light flux of luminaire in mains operation [\%]} \times \frac{\text{Ideational light flux of luminaire in mains operation [lm]}}{100 \%}$$

Ideational light flux of luminaire in battery operation [%] = 100 %

Respectable light flux of luminaire in battery operation [lm] =

$$\text{Respectable light flux of luminaire in battery operation [\%]} \times \frac{\text{Ideational light flux of luminaire in battery operation [lm]}}{100 \%}$$

# LIFE SELF-CONTAINED SUPPLY

10 YEARS GUARANTEE

Autotest / CableCom Order code	Logica Order code	Logica FM Order code	LED	$\Phi=$ 1 h	$\Phi=$ 3 h	$\Phi=$ 8 h		S~
Recessed ceiling mounting for escape route and area illumination								
19711	19711+15036 <sup>1</sup>	19711+15037 <sup>1</sup>	2	550 lm	200 lm	100 lm	LIFE 6.4 V / 1.5 Ah	8 VA

# LIFE ECO SELF-CONTAINED SUPPLY

5 YEARS GUARANTEE

Autotest Order code	Logica Order code	Logica FM Order code	LED	$\Phi=$ 1 h	$\Phi=$ 3 h	$\Phi=$ 8 h		S~
Recessed ceiling mounting for escape route and area illumination								
19712 <sup>3</sup>	19712 <sup>3</sup>	19712+19375 <sup>2,3</sup>	2	1.000 lm	400 lm	150 lm	LIFE 12.8 V / 1.5 Ah	12.5 VA

# SICURO<sup>LED</sup> DECENTRAL SUPPLY

Sicuro24 Order code	LED	$\Phi=$ 4	P=
Recessed ceiling mounting for escape route and area illumination			
17881	2	550 lm	4.1 W

# SICURO<sup>LED</sup> CENTRAL SUPPLY

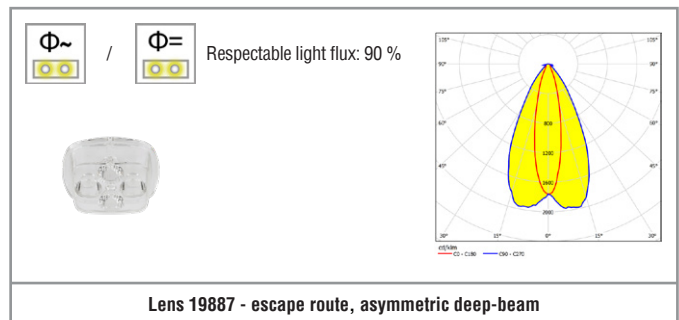
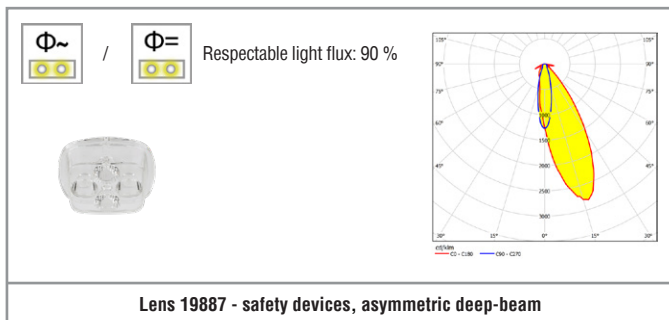
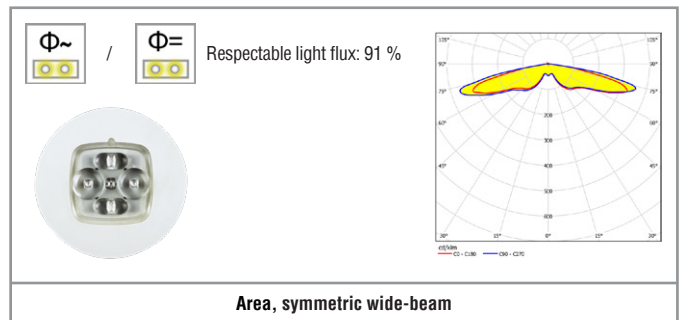
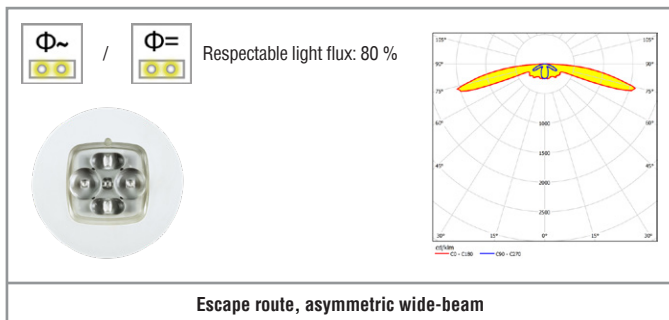
Sicuro230 Order code	LED	$\Phi=$ 4	S~	P=
Recessed ceiling mounting for escape route and area illumination				
17880	2	550 lm	9.4 VA / 4.7 W	

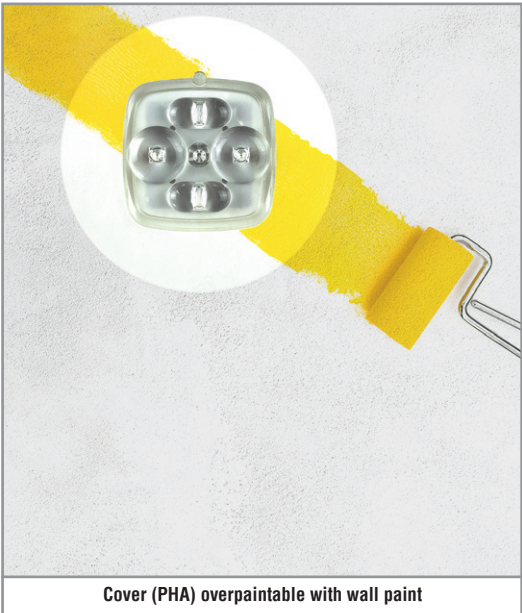
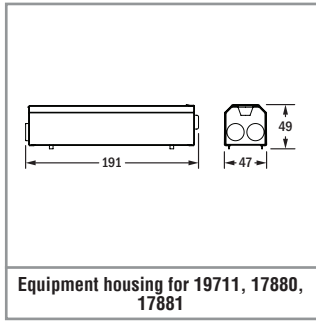
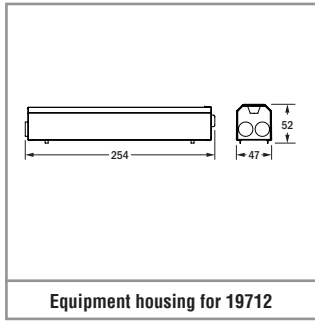
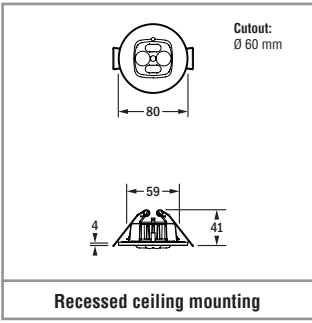
<sup>1</sup> Please order Logica interface (15036) and Logica FM interface (15037) separately.

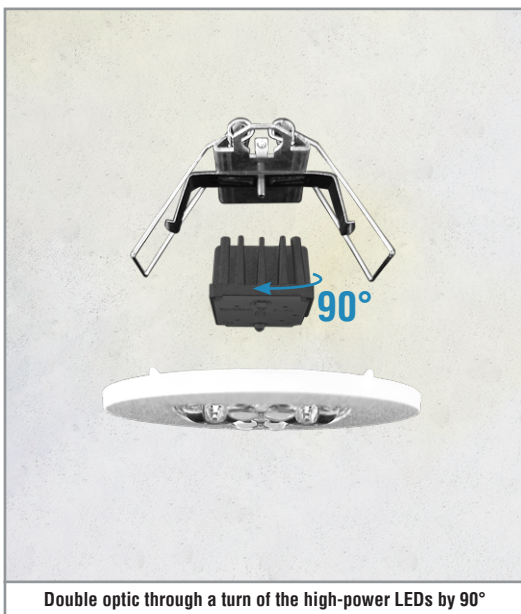
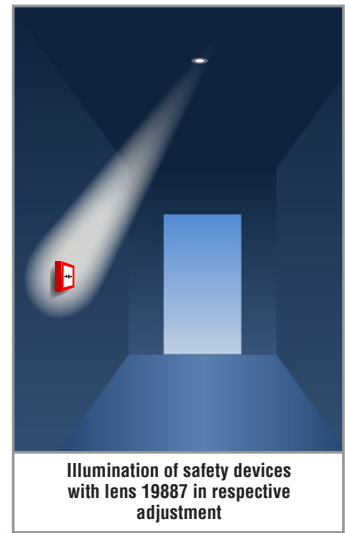
<sup>2</sup> Please order Logica FM interface (19375) separately.

<sup>3</sup> With LIFE ECO inverter module 19391, only for non-maintained mode.

<sup>4</sup> Ideational light flux of 100 %. Corresponds to no adjustable / programmable value.







Please order accessories separately

Order code	Description
15036	Logica interface for 19711
15037	Logica FM interface for 19711
15038	DALI interface for 19711 (for connection to DALI central of the general and safety lighting)
19375	Logica FM interface for 19712
19887	Asymmetrical shining lens for illumination of safety devices with 5 lx as well as for illumination of escape routes with 1 lx at mounting heights of 7 m (through turn of the high-power LEDs)



## PRATICA MODULA MATRIX

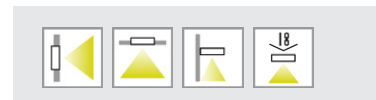
**Multifunctional safety luminaire with high type of protection and high impact resistance.** Housing with angular contours and clear polycarbonate cover. The light distribution takes place variable through desired setting of a LED matrix (in 4 LED groups), which is equipped with special lenses. Overall 4 light distributions are at choice for 5 different applications: escape route illumination for wall mounting / area illumination for wall mounting / escape route illumination for ceiling mounting / area illumination for ceiling mounting / deep-beam area illumination for ceiling mounting. Change of light distribution, without exchange of LED illuminants and without adaptation of LED lenses, directly over a button manually on the luminaire or by programming. Installation through novel mounting adapter with integrated water level, which can also be used as junction box for all incoming and outgoing cables. The mounting adapter is only used for the connection to an integrated plug fixture as well as for accommodation of optional accessories. The actual luminaire can consequently be configured and (in battery operation) programmed comfortable on a work surface and only needs finally to be latched onto the mounting adapter with the integrated plug fixture.

Versions for surface wall and ceiling mounting and with additional accessories for recessed wall and ceiling mounting, bracket and chain/wire

### MOUNTING TYPES



### MOUNTING TYPES WITH ACCESSORIES



### TECHNICAL DATA

<b>Housing:</b>	Polycarbonate, white (RAL 9003)
<b>Cover:</b>	Polycarbonate, transparent
<b>Reflector:</b>	Polycarbonate, white (RAL 9003)
<b>Type of protection:</b>	see table regarding type of protection (IP)
<b>Service life <math>L_{80}B_{20}</math>:</b>	50.000 h
<b>Color stability:</b>	3 SDCM

<b>Color temperature:</b>	4.000 K
<b>Color rendering index:</b>	80
<b>Bluetooth interface:</b>	LIFE



**Commissioning:** For Autotest, operating duration 8h, operating mode PS, monitoring group and test duration are only programmable per app B.connect over smartphone locally on luminaire.

### SELF-CONTAINED SUPPLY

<b>Mains supply:</b>	198 V – 254 V/50 Hz
<b>Switching:</b>	Maintained and non-maintained
<b>Ambient temperature:</b>	0 °C to +40 °C
<b>Protection class:</b>	II

### DECENTRAL SUPPLY

<b>Mains supply:</b>	24 V +/- 20 % DC
<b>Battery supply:</b>	24 V +/- 20 % DC
<b>Ambient temperature:</b>	-20 °C to +40 °C
<b>Protection class:</b>	III with connection only to low voltage, II with additional connection to voltages above low voltage

### CENTRAL SUPPLY

<b>Mains supply:</b>	198 V – 254 V/50 Hz
<b>Battery supply:</b>	176 V – 276 V
<b>Ambient temperature:</b>	-20 °C to +40 °C
<b>Protection class:</b>	II

#### Variant

#### LIFE

Sicuro24 / Sicuro230



250 lm

1.500 lm

### FORMULAS FOR CALCULATION OF THE RESPECTABLE LIGHT FLUX IN MAINS AND BATTERY OPERATION

Ideational light flux of luminaire in mains operation [%] = 100 %

Respectable light flux of luminaire in mains operation [lm] =

$$\text{Respectable light flux of luminaire in mains operation [lm]} \times \frac{\text{Ideational light flux of luminaire in mains operation [lm]}}{100\%}$$

Ideational light flux of luminaire in battery operation [%] = 100 %

Respectable light flux of luminaire in battery operation [lm] =

$$\text{Respectable light flux of luminaire in battery operation [lm]} \times \frac{\text{Ideational light flux of luminaire in battery operation [lm]}}{100\%}$$



Autotest / CableCom Order code	Logica Order code	Logica FM Order code	LED	$\Phi=$ 3 1 h	$\Phi=$ 3 3 h	$\Phi=$ 3 8 h		S~
Surface wall mounting, surface ceiling mounting for escape route and area illumination with adjustable / programmable LED matrix <sup>1</sup>								
18821	18821+15056 <sup>2</sup>	18821+15057 <sup>2</sup>	24	1.000 lm	350 lm	125 lm	LIFE 6.4 V / 1.5 Ah	14.9 VA
18831	18831+15056 <sup>2</sup>	18831+15057 <sup>2</sup>	24	2.000 lm	700 lm	250 lm	2x LIFE 6.4 V / 1.5 Ah	16.9 VA
18841	18841+15056 <sup>2</sup>	18841+15057 <sup>2</sup>	24	2.700 lm	1.000 lm	400 lm	2x LIFE 6.4 V / 2 Ah	20.5 VA

**SICURO** DECENTRAL SUPPLY

Sicuro24 Order code	LED	$\Phi=$ 3	P=
Surface wall mounting, surface ceiling mounting for escape route and area illumination with adjustable / programmable LED matrix <sup>1</sup>			
17923+15059 <sup>4</sup>	24	750 lm 1.500 lm	9 W 13 W

<sup>1</sup> Please order additional required accessories for recessed wall and ceiling mounting, bracket and chain/wire separately.

<sup>2</sup> Please order Logica interface (15056) and Logica FM interface (15057) separately.

<sup>3</sup> Ideational light flux of 100 %. Corresponds to no adjustable / programmable value.

**SICURO** CENTRAL SUPPLY

Sicuro230 Order code	LED	$\Phi=$ 3	S~	P=
Surface wall mounting, surface ceiling mounting, <b>with single monitoring (EÜ)</b> , for escape route and area illumination with adjustable / programmable LED matrix <sup>1</sup>				
17923+15060 <sup>5</sup>	24	1.500 lm	22.6 VA / 12.9 W	
Surface wall mounting, surface ceiling mounting, <b>with circuit monitoring (SÜ)</b> , for escape route and area illumination with adjustable / programmable LED matrix <sup>1</sup>				
17923	24	1.500 lm	20 VA / 11.4 W	

<sup>4</sup> Please order S24 conversion set with high mounting adapter (15059) separately. Light flux/power programmable over S24 station.

<sup>5</sup> Please order S230 conversion set with high mounting adapter (15060) separately.

<sup>6</sup> Only with use of back entries with respective gaskets (M16).

$\Phi\sim$  /  $\Phi=$  Respectable light flux: 60 %

**MATRIX: 03**

Escape route, wide-beam, for wall mounting

$\Phi\sim$  /  $\Phi=$  Respectable light flux: 75 %

**MATRIX: 06**

Escape route, wide-beam, for ceiling mounting

$\Phi\sim$  /  $\Phi=$  Respectable light flux: 75 %

**MATRIX: 06**

Area, wide-beam, for ceiling mounting

$\Phi\sim$  /  $\Phi=$  Respectable light flux: 82 %

**MATRIX: 03/09**

Area, wide-beam, for wall mounting

$\Phi\sim$  /  $\Phi=$  Respectable light flux: 83 %

**MATRIX: 09**

Area, deep-beam, for ceiling mounting

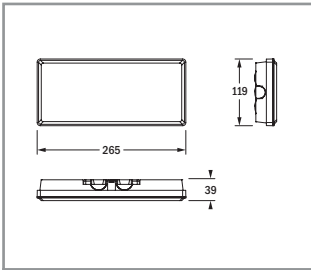
Front side of frame bezel points to wall or to ceiling for surface mounting of luminaire – sideward entries covered

Back side of frame bezel is installed safely and quickly with click-closures on back side of luminaire

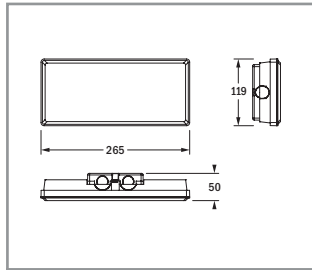
Frame bezel in scope of delivery as design element (18598)

TYPE OF PROTECTION (IP)

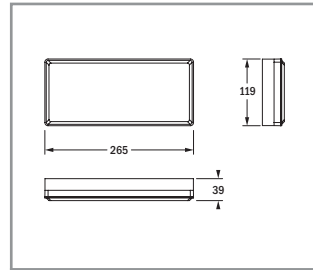
achieved type of protection	used mounting adapter	accomplished installation without accessories
IP40	flat	sideward breakable entries (2x 15x7 mm and 2x 15x10 mm) used
IP40	flat	backward drillable entries (2x max. 10 mm Ø) used
IP65	flat	backward entries (2x M16) with respective gaskets used
IP65	high	sideward entries (6x M20) or backward entries (2x M20) with respective cable glands used
achieved type of protection	used mounting adapter	accomplished installation with accessories
IP40 <sup>6</sup>	flat	4319
IP42 <sup>6</sup>	flat	3723 / 18590 / 18585 / 18587 / 18580 / 18586
IP65	high	3723 / 18590 / 18597 / 18580 together with 18599 / 15059 / 15060



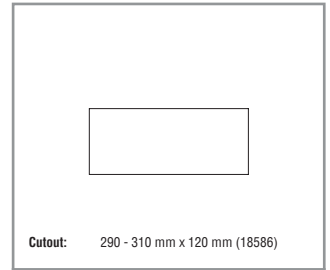
Surface wall and ceiling mounting, flat mounting adapter, without 18598



Surface wall and ceiling mounting, high mounting adapter, without 18598



Surface wall and ceiling mounting, flat mounting adapter, with 18598

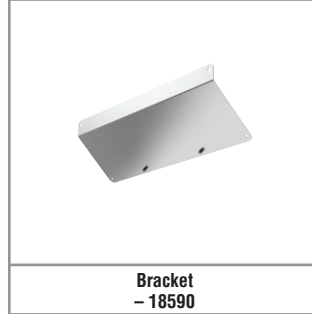


Cutout: 290 - 310 mm x 120 mm (18586)

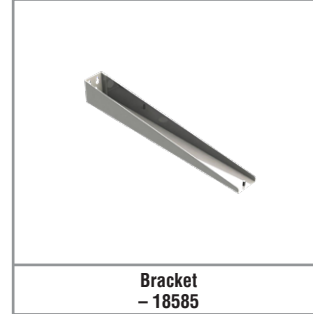
Recessed wall and ceiling mounting, hollow, flat / high mounting adapter



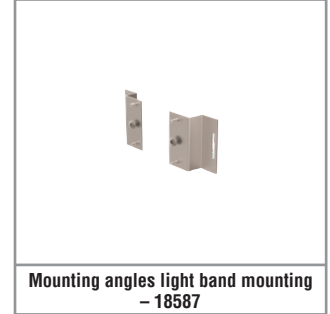
Lug set chain / wire - 3723



Bracket - 18590



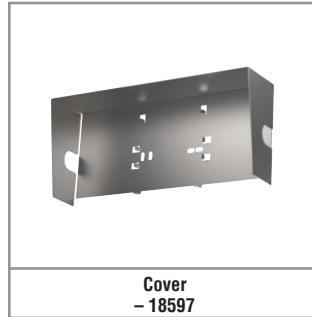
Bracket - 18585



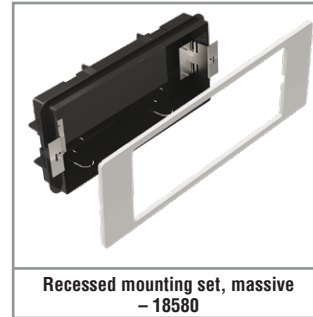
Mounting angles light band mounting - 18587



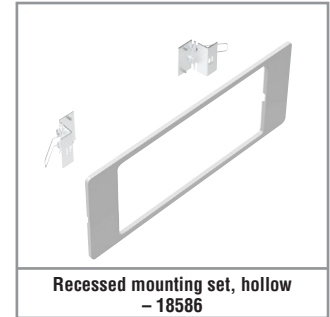
Adapter light band mounting - 4319



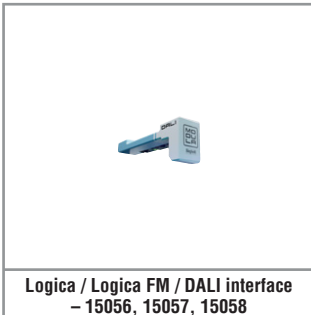
Cover - 18597



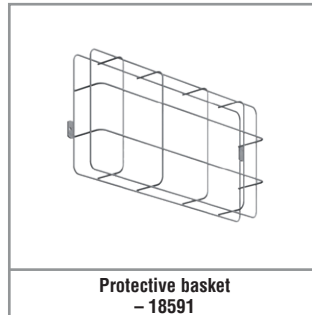
Recessed mounting set, massive - 18580



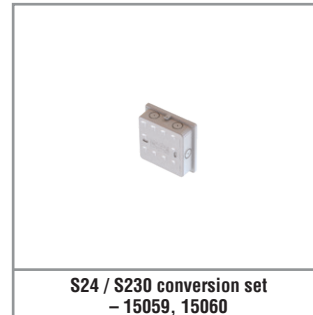
Recessed mounting set, hollow - 18586



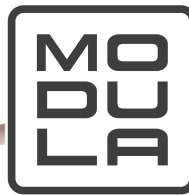
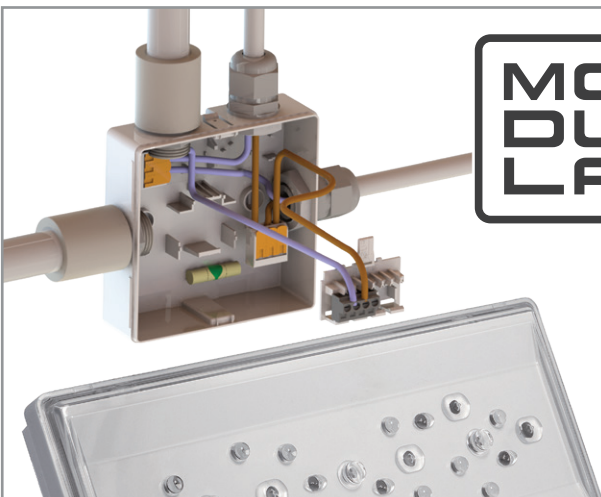
Logica / Logica FM / DALI interface - 15056, 15057, 15058



Protective basket - 18591



S24 / S230 conversion set - 15059, 15060

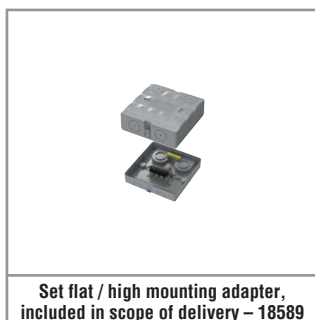


**THE HIGH MOUNTING ADAPTER FROM THE SCOPE OF DELIVERY IS COMPATIBLE WITH ALL LUMINAIRES OF THE MODULA SERIES AND WAS DEVELOPED FOR THE ON-FINERY MOUNTING**

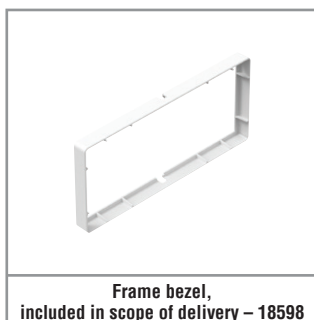
THE INSTALLATION TIMES ARE REDUCED BY MORE THAN 50 % PER LUMINAIRE!

Thanks to the MODULA system, the internal wiring and all settings are enormously simplified and accelerated. A variety of entries ensures highest flexibility regarding the cable laying. Through additional plug terminals, all wires can be bundled and routed to the preinstalled terminal block. Integrated water level.





**Set flat / high mounting adapter,  
included in scope of delivery – 18589**



**Frame bezel,  
included in scope of delivery – 18598**

#### Included in scope of delivery

Order code	Description
<b>18589</b>	Set with flat and high mounting adapter
<b>18598</b>	Frame bezel, polycarbonate, white (as design element)

#### Please order accessories separately

Order code	Description
<b>3723</b>	Lug set for chain and wire mounting
<b>18590</b>	Bracket, sheet steel, galvanized, white, 45° luminaire tilt, not adjustable
<b>18585</b>	Bracket, sheet steel, galvanized, white
<b>18587</b>	Mounting angles for light band mounting
<b>4319</b>	Adapter (electrical) for light band mounting, 3-phase
<b>18597</b>	Cover, stainless sheet steel, for wall mounting with installation in exterior area as additional protection against rain
<b>18580</b>	IP42 recessed mounting set for massive walls and massive ceilings (concrete-cast housing), including frame bezel, white (overpaintable)
<b>18599</b>	IP65 upgrade set for 18580, including frame bezel, white (overpaintable)
<b>18586</b>	Recessed mounting set for hollow walls and hollow ceilings, including frame bezel, white (overpaintable)
<b>15056</b>	Logica interface, only for LIFE
<b>15057</b>	Logica FM interface, only for LIFE
<b>15058</b>	DALI interface, only for LIFE (for connection to DALI central of the general and safety lighting)
<b>18591</b>	Protective basket (only for surface wall or ceiling mounting)
<b>15059</b>	S24 conversion set with high mounting adapter, only for S24
<b>15060</b>	S230 conversion set with high mounting adapter, only for S230



## PRATICA MODULA

**Escape sign and safety luminaire with high type of protection and high impact resistance.** Housing with angular contours and clear polycarbonate cover. Light guidance through white polycarbonate reflector. Installation through novel mounting adapter with integrated water level, which can also be used as junction box for all incoming and outgoing cables. The mounting adapter is only used for the connection to an integrated plug fixture as well as for accommodation of optional accessories. The actual luminaire can consequently be configured and (in battery operation) programmed comfortable on a work surface and only needs finally to be latched onto the mounting adapter with the integrated plug fixture.

Versions for surface wall and ceiling mounting and with additional accessories for recessed wall and ceiling mounting, bracket and chain/wire

### MOUNTING TYPES WITH ACCESSORIES

### MOUNTING TYPES



### TECHNICAL DATA

**Housing:** Polycarbonate, white (RAL 9003)  
**Cover:** Polycarbonate, transparent  
**Reflector:** Polycarbonate, white (RAL 9003)  
**Type of protection:** see table regarding type of protection (IP)  
**Service life  $L_{90}B_{20}$ :** 50.000 h  
**Color stability:** 3 SDCM

**Color temperature:** 4.000 K  
**Color rendering index:** 80  
**Bluetooth interface:** LIFE



**Commissioning:** For Autotest, operating duration 8h, operating mode PS, monitoring group and test duration are only programmable per app B.connect over smartphone locally on luminaire.

### SELF-CONTAINED SUPPLY

**Mains supply:** 198 V – 254 V/50 Hz  
**Switching:** Maintained and non-maintained  
**Ambient temperature:** without accessories: 0 °C to +40 °C  
 exchange battery with battery heater: -30 °C to +40 °C  
**Protection class:** II

### DECENTRAL SUPPLY

**Mains supply:** 24 V +/- 20 % DC  
**Battery supply:** 24 V +/- 20 % DC  
**Ambient temperature:** -20 °C to +40 °C  
**Protection class:** III with connection only to low voltage, II with additional connection to voltages above low voltage

### CENTRAL SUPPLY

**Mains supply:** 198 V – 254 V/50 Hz  
**Battery supply:** 176 V – 276 V  
**Ambient temperature:** -20 °C to +40 °C  
**Protection class:** II

Variant	
LIFE	250 lm
Sicuro24	1.500 lm
	400 lm
Sicuro230 <sup>®</sup>	800 lm
	1.100 lm
	1.500 lm

Autotest / CableCom Order code	Logica Order code	Logica FM Order code			$\Phi =$ 1 h	$\Phi =$ 3 h	$\Phi =$ 8 h		
Surface wall mounting (1-sided escape route indication / illumination), surface ceiling mounting (2-sided escape route indication / illumination) <sup>1</sup>									
18741	18741+15056 <sup>2</sup>	18741+15057 <sup>2</sup>	20 m	36	300 / 450 <sup>3</sup> lm	110 / 170 <sup>3</sup> lm	40 / 60 <sup>3</sup> lm	LIFE 3.2 V / 1.5 Ah	12.9 VA
18751	18751+15056 <sup>2</sup>	18751+15057 <sup>2</sup>	20 m	36	500 / 750 <sup>3</sup> lm	165 / 275 <sup>3</sup> lm	65 / 95 <sup>3</sup> lm	LIFE 3.2 V / 1.5 Ah	12.9 VA
18761	18761+15056 <sup>2</sup>	18761+15057 <sup>2</sup>	20 m	36	700 / 1.000 <sup>3</sup> lm	250 / 400 <sup>3</sup> lm	90 / 125 <sup>3</sup> lm	LIFE 3.2 V / 3 Ah	12.9 VA
18771	18771+15056 <sup>2</sup>	18771+15057 <sup>2</sup>	20 m	36	1.000 / 1.500 <sup>3</sup> lm	350 / 550 <sup>3</sup> lm	125 / 190 <sup>3</sup> lm	LIFE 3.2 V / 3 Ah	12.9 VA
18781	18781+15056 <sup>2</sup>	18781+15057 <sup>2</sup>	20 m	36	1.700 / 2.000 <sup>3</sup> lm	750 / 900 <sup>3</sup> lm	300 / 350 <sup>3</sup> lm	2x LIFE 3.2 V / 3 Ah	16.6 VA

**SICURO** DECENTRAL SUPPLY

Sicuro24 Order code			$\Phi =$	$P =$
Surface wall mounting (1-sided escape route indication / illumination), surface ceiling mounting (2-sided escape route indication / illumination) <sup>1</sup>				
17920+15059 <sup>4</sup>	20 m	36	750 lm 1.500 lm	9 W 13 W

**SICURO** CENTRAL SUPPLY

Sicuro230 Order code			$\Phi =$	$S \sim$	$P =$
Surface wall mounting (1-sided escape route indication / illumination), surface ceiling mounting (2-sided escape route indication / illumination) <sup>1</sup> , with single monitoring (EÜ)					
17920+15060 <sup>5</sup>	20 m	36	400 lm	10.4 VA / 5.9 W	
			800 lm	13.9 VA / 7.9 W	
			1.100 lm	17.4 VA / 9.9 W	
			1.500 lm	22.6 VA / 12.9 W	
Surface wall mounting (1-sided escape route indication / illumination), surface ceiling mounting (2-sided escape route indication / illumination) <sup>1</sup> , with circuit monitoring (SÜ)					
17920 <sup>6</sup>	20 m	36	400 lm	7.7 VA / 4.4 W	
			800 lm	11.2 VA / 6.4 W	
			1.100 lm	14.7 VA / 8.4 W	
			1.500 lm	20 VA / 11.4 W	

<sup>1</sup> Please order additional required accessories for recessed wall and ceiling mounting, bracket and chain/wire separately.

<sup>2</sup> Please order Logica interface (15056) and Logica FM interface (15057) separately.

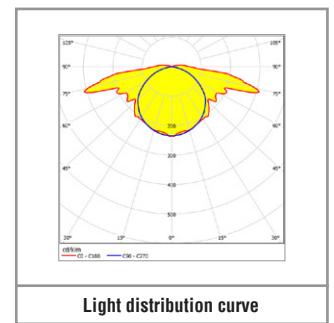
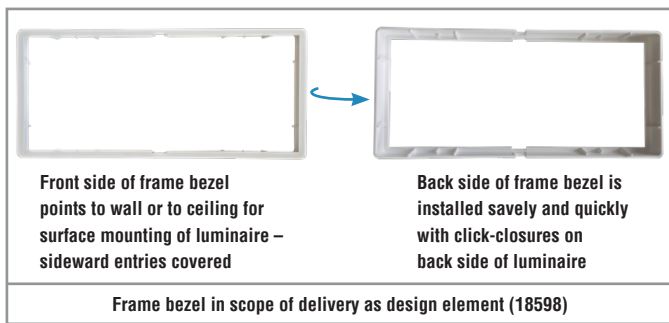
<sup>3</sup> Light flux with subsidiary battery. Please order subsidiary battery separately.

<sup>4</sup> Please order S24 conversion set with high mounting adapter (15059) separately. Light flux/power programmable over S24 station.

<sup>5</sup> Please order S230 conversion set with high mounting adapter (15060) separately. Light flux/power adjustable over DIP switches on luminaire.

<sup>6</sup> Light flux/power adjustable over DIP switches on luminaire.

<sup>7</sup> Only with use of back entries with respective gaskets (M16).

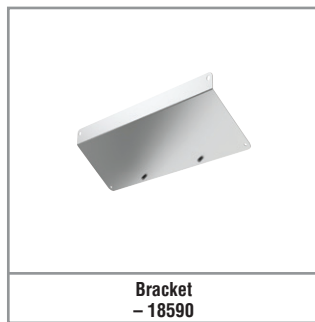


TYPE OF PROTECTION (IP)

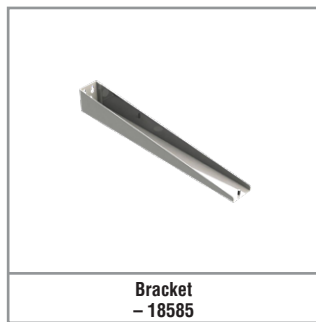
achieved type of protection	used mounting adapter	accomplished installation without accessories
IP40	flat	sideward breakable entries (2x 15x7 mm and 2x 15x10 mm) used
IP40	flat	backward drillable entries (2x max. 10 mm Ø) used
IP65	flat	backward entries (2x M16) with respective gaskets used
IP65	high	sideward entries (6x M20) or backward entries (2x M20) with respective cable glands used
achieved type of protection	used mounting adapter	accomplished installation with accessories
IP20 <sup>7</sup>	flat	4319
IP65 <sup>7</sup>	flat	3723 / 18590 / 18585 / 18587 / 18580 / 18586
IP65	high	3723 / 18590 / 18597 / 18580 together with 18599 / 18586 / 15059 / 15060
achieved type of protection	used mounting adapter	accomplished installation with escape sign accessories
IP65 <sup>7</sup>	flat	18595, 18594, 18593, 18596 / 18583, 18581, 18582 / 4129, 4127, 4128
IP65	high	18595, 18594, 18593, 18596 / 18583, 18581, 18582 / 4129, 4127, 4128



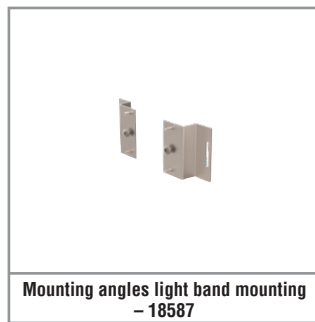
Lug set chain / wire  
- 3723



Bracket  
- 18590



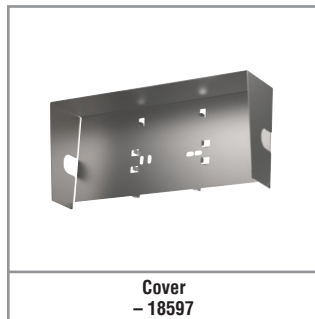
Bracket  
- 18585



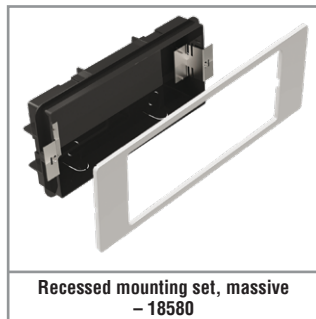
Mounting angles light band mounting  
- 18587



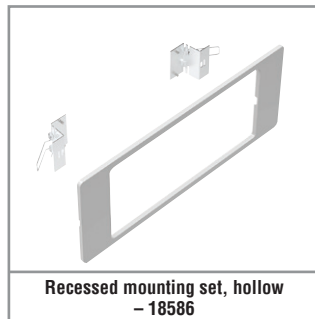
Adapter light band mounting  
- 4319



Cover  
- 18597



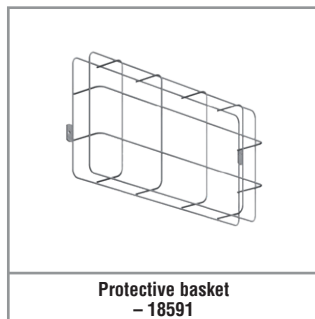
Recessed mounting set, massive  
- 18580



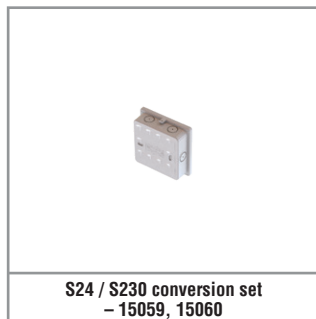
Recessed mounting set, hollow  
- 18586



Logica / Logica FM / DALI interface  
- 15056, 15057, 15058



Protective basket  
- 18591



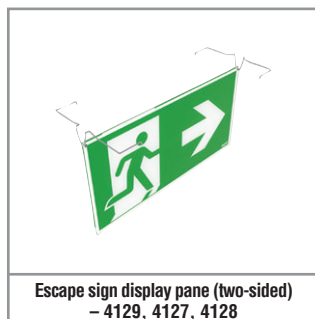
S24 / S230 conversion set  
- 15059, 15060



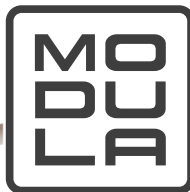
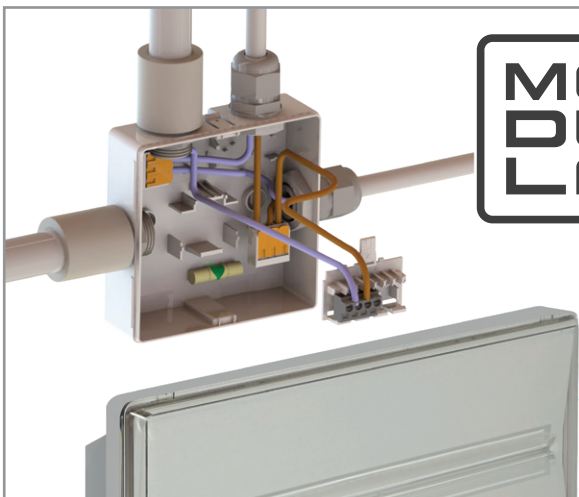
Escape sign cover (one-sided)  
- 18595, 18594, 18593, 18596



Escape sign cover (two-sided)  
- 18583, 18581, 18582



Escape sign display pane (two-sided)  
- 4129, 4127, 4128



**THE HIGH MOUNTING ADAPTER FROM THE SCOPE OF DELIVERY IS COMPATIBLE WITH ALL LUMINAIRES OF THE MODULA SERIES AND WAS DEVELOPED FOR THE ON-FINERY MOUNTING**

THE INSTALLATION TIMES ARE REDUCED BY MORE THAN 50 % PER LUMINAIRE!

Thanks to the MODULA system, the internal wiring and all settings are enormously simplified and accelerated. A variety of entries ensures highest flexibility regarding the cable laying. Through additional plug terminals, all wires can be bundled and routed to the preinstalled terminal block. Integrated water level.

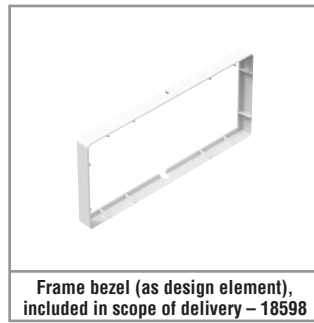




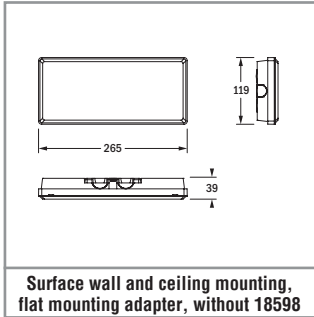
Set of escape sign foils, included in scope of delivery – 18584



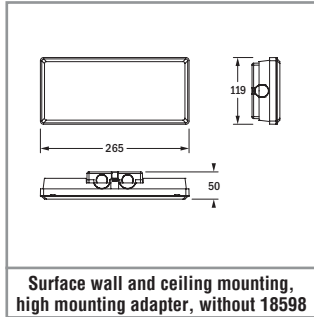
Set flat / high mounting adapter, included in scope of delivery – 18589



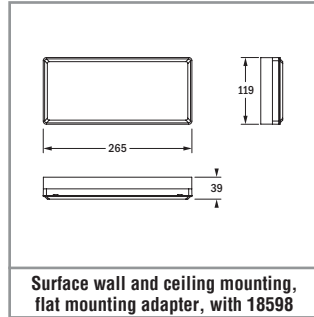
Frame bezel (as design element), included in scope of delivery – 18598



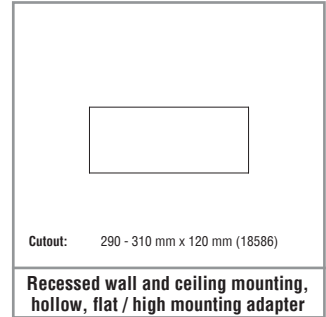
Surface wall and ceiling mounting, flat mounting adapter, without 18598



Surface wall and ceiling mounting, high mounting adapter, without 18598



Surface wall and ceiling mounting, flat mounting adapter, with 18598



Recessed wall and ceiling mounting, hollow, flat / high mounting adapter

Included in scope of delivery			
Order code	VD 20 m	VD 26 m	Description
18584	–	–	Set of escape sign foils
18589	18589	–	Set with flat and high mounting adapter
18598	18598	–	Frame bezel, polycarbonate, white (as design element)

Please order escape sign accessories separately			
Order code	VD 20 m	VD 26 m	Description
18595	–	–	Escape sign cover (one-sided)
18594	–	–	Escape sign cover (one-sided)
18593	–	–	Escape sign cover (one-sided)
18596	–	–	Escape sign cover (one-sided)
–	18583	–	Escape sign cover (two-sided)
–	18581	–	Escape sign cover (two-sided)
–	18582	–	Escape sign cover (two-sided)
–	4129	–	Escape sign display pane (two-sided)
–	4127	–	Escape sign display pane (two-sided)
–	4128	–	Escape sign display pane (two-sided)

Please order accessories separately			
Order code	EW 20 m	EW 26 m	Description
3723	3723	–	Lug set for chain and wire mounting
18590	–	–	Bracket, sheet steel, galvanized, white, 45° luminaire tilt, not adjustable, only for illumination
18585	18585	–	Bracket, sheet steel, galvanized, white, for escape route indication and illumination
18587	18587	–	Mounting angles for light band mounting
4319	4319	–	Adapter (electrical) for light band mounting, 3-phase
18597	–	–	Cover, stainless sheet steel, for wall mounting with installation in exterior area as additional protection against rain
18580	18580	–	IP42 recessed mounting set for massive walls and massive ceilings (concrete-cast housing), including frame bezel, white (overpaintable), only for flat mounting adapter
18599	18599	–	IP65 upgrade set for 18580, including frame bezel, white (overpaintable), only for high mounting adapter
18586	18586	–	Recessed mounting set for hollow walls and hollow ceilings, including frame bezel, white (overpaintable)
15056	15056	–	Logica interface, only for LIFE
15057	15057	–	Logica FM interface, only for LIFE
15058	15058	–	DALI interface, only for LIFE (for connection to DALI central of the general and safety lighting)
18591	–	–	Protective basket (only for surface wall or ceiling mounting without two-sided escape sign cover / escape sign display pane)
15059	15059	–	S24 conversion set with high mounting adapter, only for S24
15060	15060	–	S230 conversion set with high mounting adapter, only for S230
RA11	RA11	–	Subsidiary battery LIFE 3.2 V / 1.5 Ah for 18741 und 18751
15078	15078	–	Exchange battery LIFE 3.2 V / 3 Ah with battery heater for 18741 and 18751, installation: -30 °C to +40 °C

## KUBUS



### Housing made of flat sheet steel profiles with angular contours.

Available as escape sign luminaire or safety luminaire. High-power LED with light guidance through special lenses for asymmetrical light distribution (illumination of escape routes with 1 lx) or symmetrical light distribution (illumination of areas with 0.5 lx) for safety luminaire. 1 or 2-sided escape route indication through exchangeable panes with additional light outlet downwards for surface wall mounting for escape sign luminaire.

Escape sign luminaire: Versions for surface wall mounting and with additional accessories for pendulum, bracket and chain/wire

Safety luminaire: Versions for surface wall and ceiling mounting

### MOUNTING TYPES



### MOUNTING TYPES WITH ACCESSORIES



### TECHNICAL DATA

<b>Housing:</b>	Sheet steel, white (RAL 9003)	<b>Color temperature:</b>	4.000 K (ESL & SL)
<b>Pane:</b>	PMMA, printed (escape sign luminaire) PMMA, transparent (safety luminaire)	<b>Color rendering index:</b>	80 (ESL) 70 (SL)
<b>Service life L<sub>80</sub>B<sub>20</sub>:</b>	50.000 h	<b>Optic interface:</b>	LIFE
<b>Color stability:</b>	3 SDCM		



**Commissioning:** For Autotest, operating duration, operating mode PS, monitoring group and test duration are only programmable per app B.connect over smartphone locally on luminaire.

### SELF-CONTAINED SUPPLY

<b>Mains supply:</b>	198 V – 254 V/50 Hz
<b>Switching:</b>	Maintained and non-maintained
<b>Ambient temperature:</b>	0 °C to +40 °C
<b>Protection class:</b>	I

### DECENTRAL SUPPLY

<b>Mains supply:</b>	24 V +/- 20 % DC
<b>Battery supply:</b>	24 V +/- 20 % DC
<b>Ambient temperature:</b>	-20 °C to +40 °C
<b>Protection class:</b>	III

### CENTRAL SUPPLY

<b>Mains supply:</b>	198 V – 254 V/50Hz
<b>Battery supply:</b>	176 V – 276 V
<b>Ambient temperature:</b>	-20 °C to +40 °C
<b>Protection class:</b>	I
<b>Mains supply (alt.):</b>	90 V – 254 V / 50/60 Hz
<b>Battery supply (alt.):</b>	90 V – 276 V

Variant	Area 3.5 m	Area 7 m	Escape route
LIFE – safety luminaire	227 lm	223 lm	220 lm
Sicuro24 / Sicuro230 – safety luminaire	302 lm	297 lm	294 lm



Autotest / CableCom Order code	Logica Order code	Logica FM Order code		LED 	$\Phi=$ 1 h	$\Phi=$ 3 h	$\Phi=$ 8 h		$S\sim$ 
Escape sign luminaire, surface wall mounting (1-sided escape route indication)									
37012	37013	37014	21 m	24	-	-	-	LIFE 6.4 V / 1.5 Ah	8 VA
37015	37016	37017	34 m	48	-	-	-	LIFE 6.4 V / 1.5 Ah	8 VA
37018	37019	37020	56 m	48	-	-	-	LIFE 6.4 V / 1.5 Ah	8 VA
Escape sign luminaire, pendulum mounting adaptor (2-sided escape route indication) <sup>1</sup>									
37021	37022	37023	21 m	24	-	-	-	LIFE 6.4 V / 1.5 Ah	8 VA
37024	37025	37026	34 m	48	-	-	-	LIFE 6.4 V / 1.5 Ah	8 VA
37027	37028	37029	56 m	48	-	-	-	LIFE 6.4 V / 1.5 Ah	8 VA
Safety luminaire, surface wall mounting, surface ceiling mounting with 3 changeable lenses (escape route illumination / area illumination)									
37030	37031	37032	-	1	Escape route 294 lm	Escape route 170 lm	Escape route 58 lm	LIFE 6.4 V / 1.5 Ah	8 VA
					Area 3.5 m / 7 m 302 lm / 297 lm	Area 3.5 m / 7 m 173 lm / 171 lm	Area 3.5 m / 7 m 60 lm / 60 lm		

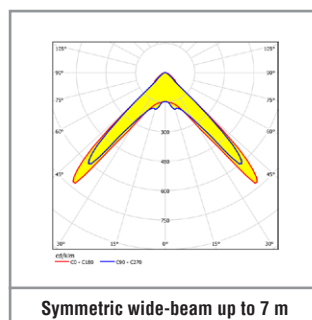
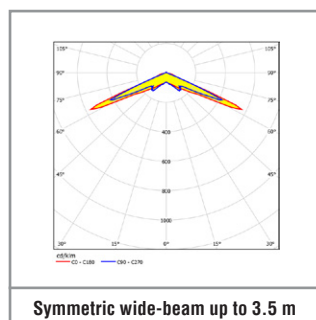
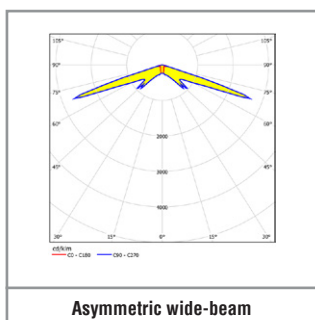
**SICURO** DECENTRAL SUPPLY

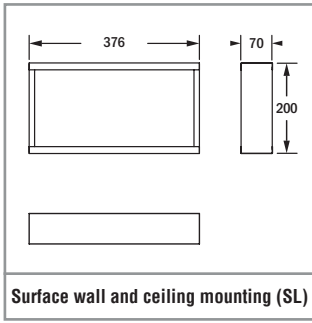
Sicuro24 Order code		LED 	$\Phi=$ 	P= 
Escape sign luminaire, surface wall mounting (1-sided escape route indication)				
32004	21 m	24	-	2.2 W
32005	34 m	48	-	4.3 W
32006	56 m	48	-	4.3 W
Escape sign luminaire, pendulum mounting adaptor (2-sided escape route indication) <sup>1</sup>				
32007	21 m	24	-	2.2 W
32008	34 m	48	-	4.3 W
32009	56 m	48	-	4.3 W
Safety luminaire, surface wall mounting, surface ceiling mounting with 3 changeable lenses (escape route illumination / area illumination)				
32010	-	1	Escape route 294 lm	3.8 W
			Area 3.5 m / 7 m 302 lm / 297 lm	

**SICURO** CENTRAL SUPPLY

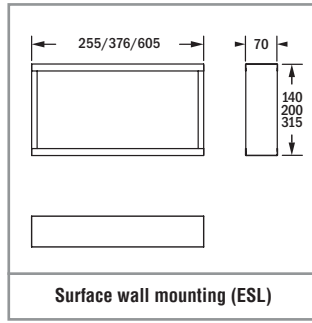
Sicuro230 Order code		LED 	$\Phi=$ 	S~ 	P= 
Escape sign luminaire, surface wall mounting (1-sided escape route indication)					
31004	21 m	24	-	5.8 VA / 2.5 W	
31005	34 m	48	-	9.4 VA / 4.7 W	
31006	56 m	48	-	9.4 VA / 4.7 W	
Escape sign luminaire, pendulum mounting adaptor (2-sided escape route indication) <sup>1</sup>					
31007	21 m	24	-	5.8 VA / 2.5 W	
31008	34 m	48	-	9.4 VA / 4.7 W	
31009	56 m	48	-	9.4 VA / 4.7 W	
Safety luminaire, surface wall mounting, surface ceiling mounting with 3 changeable lenses (escape route illumination / area illumination)					
31010	-	1	Escape route 294 lm	8.3 VA / 4.1 W	
			Area 3.5 m / 7 m 302 lm / 297 lm		

<sup>1</sup> Please order additional required accessories for pendulum, bracket and chain/wire separately.

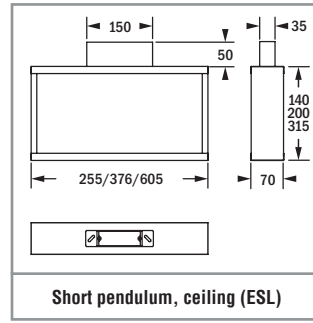




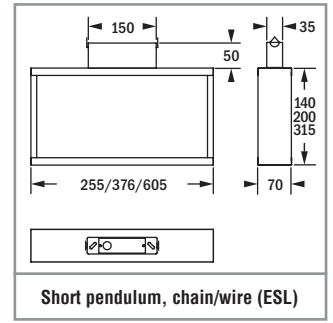
Surface wall and ceiling mounting (SL)



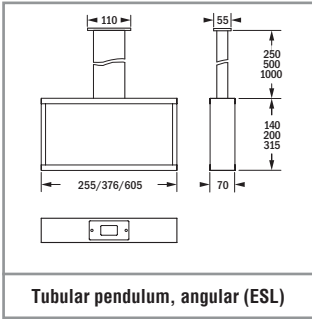
Surface wall mounting (ESL)



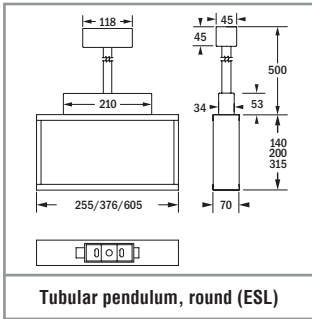
Short pendulum, ceiling (ESL)



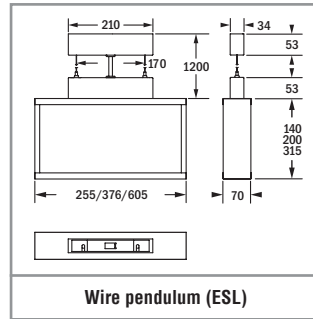
Short pendulum, chain/wire (ESL)



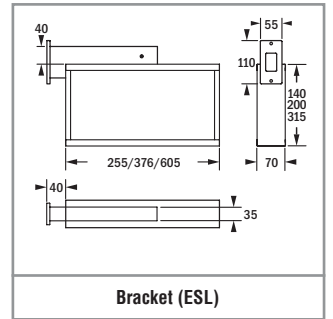
Tubular pendulum, angular (ESL)



Tubular pendulum, round (ESL)



Wire pendulum (ESL)



Bracket (ESL)



Included in scope of delivery (safety luminaire)	
Order code	Description
–	Symmetrical wide-beam lens for mounting height 3.5 m
–	Symmetrical wide-beam lens for mounting height 7 m
–	Asymmetrical wide-beam lens

Please order escape sign accessories separately			
Order code		Description	
VD 21 m	VD 34 m	VD 56 m	
E16604M	E16608M	E16134M	Escape sign pane
E16605M	E16609M	E16135M	Escape sign pane
E16606M	E16610M	E16136M	Escape sign pane
E16616M	E16617M	E16618M	Escape sign pane
E16620M	E16640M	E16645M	Escape sign pane
E16622M	E16642M	E16647M	Escape sign pane
E16621M	E16641M	E16646M	Escape sign pane
E16623M	E16643M	E16648M	Escape sign pane
E16607	E16611	E16234	Pane, opal, PMMA
E16242	E16241	E16251	Pane, white, sheet steel

Please order accessories separately			
Order code			Description
VD 21 m	VD 34 m	VD 56 m	
F95057	F95057	F95057	Short pendulum for ceiling mounting
F95600	F95600	F95600	Tubular pendulum, angular, 250 mm
F95601	F95601	F95601	Tubular pendulum, angular, 500 mm
F95602	F95602	F95602	Tubular pendulum, angular, 1.000 mm
F95400	F95400	F95400	Tubular pendulum, round, 500 mm
F95401	F95401	F95401	Wire pendulum, max. 1.200 mm
F95055	F95056	F95070	Bracket
F95067	F95067	F95067	Short pendulum for chain mounting and wire mounting
F95032K	F95032K	–	Protective basket (only for surface wall mounting without pendulum, bracket)



## KUBUS65

**Variable escape sign and safety luminaire in high type of protection.**  
 Housing made of sheet steel or stainless sheet steel with clear cover.  
 Light guidance through high-specular aluminium reflector 1- or 2-sided  
 escape route indication through self-adhesive foils. All (1-sided) lumi-  
 naires for surface wall mounting / surface ceiling mounting are suitable  
 for the use in sport sites as well as in the food industry according to IFS-  
 Food (certificates of accredited body available).

Escape sign luminaire: Versions for surface wall mounting and with  
 additional accessories for pendulum and bracket

Safety luminaire: Versions for surface wall and ceiling mounting

### MOUNTING TYPES



### MOUNTING TYPES WITH ACCESSORIES



### TECHNICAL DATA

**Housing:** Sheet steel, white (RAL 9003)  
 Stainless sheet steel, V2A

**Cover:** PMMA, transparent

**Foil:** PVC, printed

**Reflector:** Aluminium, specular

**Service life  $L_{80}B_{20}$ :** 50.000 h

**Color stability:** 3 SDCM

**Color temperature:** 4.000 K (ESL & SL)

**Color rendering index:** 80

**Optic interface:** LIFE



**Commissioning:** For Autotest, operating duration, operating mode PS, monitoring group and test duration are only programmable per app B.connect over smartphone locally on luminaire.

### SELF-CONTAINED SUPPLY

**Mains supply:** 198 V – 254 V/50 Hz

**Switching:** Maintained and non-maintained

**Ambient temperature:** 0 °C to +40 °C

**Protection class:** I

### DECENTRAL SUPPLY

**Mains supply:** 24 V +/- 20 % DC

**Battery supply:** 24 V +/- 20 % DC

**Ambient temperature:** -20 °C to +40 °C

**Protection class:** III

### CENTRAL SUPPLY

**Mains supply:** 198 V – 254 V/50 Hz

**Battery supply:** 176 V – 276 V

**Ambient temperature:** -20 °C to +40 °C

**Protection class:** I

**Mains supply (alt.):** 90 V – 254 V / 50/60 Hz

**Battery supply (alt.):** 90 V – 276 V

Variant



LIFE – used as safety luminaire

210 lm

Sicuro24 / Sicuro230 – used as safety luminaire

350 lm

Autotest / CableCom Order code	Logica Order code	Logica FM Order code	Version		LED	$\Phi=$ 1 h	$\Phi=$ 3 h	$\Phi=$ 8 h		S~
-----------------------------------	----------------------	-------------------------	---------	--	-----	-------------	-------------	-------------	--	----

Surface wall mounting (1-sided escape route indication / illumination), surface ceiling mounting (illumination)

37060	37061	37062	white <sup>2</sup>	32 m	48	336 lm	168 lm	67 lm	LIFE 6.4 V / 1.5 Ah	8 VA
37066	37067	37068	V2A	32 m	48	336 lm	168 lm	67 lm	LIFE 6.4 V / 1.5 Ah	8 VA

Pendulum mounting adaptor (2-sided escape route indication)<sup>1</sup>

37063	37064	37065	white <sup>2</sup>	32 m	48	-	-	-	LIFE 6.4 V / 1.5 Ah	8 VA
37069	37070	37071	V2A	32 m	48	-	-	-	LIFE 6.4 V / 1.5 Ah	8 VA

**SICURO** DECENTRAL SUPPLY

Sicuro24 Order code	Version		LED	$\Phi=$	P=
------------------------	---------	--	-----	---------	----

Surface wall mounting (1-sided escape route indication / illumination), surface ceiling mounting (illumination)

32020	white <sup>2</sup>	32 m	48	350 lm	4.3 W
32022	V2A	32 m	48	350 lm	4.3 W

Pendulum mounting adaptor (2-sided escape route indication)<sup>1</sup>

32021	white <sup>2</sup>	32 m	48	-	4.3 W
32023	V2A	32 m	48	-	4.3 W

<sup>1</sup> Please order additional accessories for pendulum and bracket separately. Luminaires with pendulum mounting adaptor are required for all types of pendulums as well as the bracket.

<sup>2</sup> Version white only suitable for the interior area.

**SICURO** CENTRAL SUPPLY

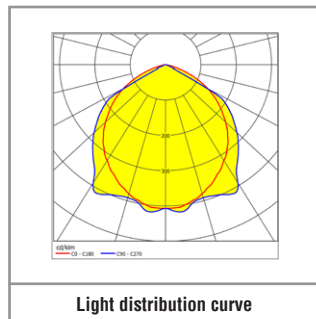
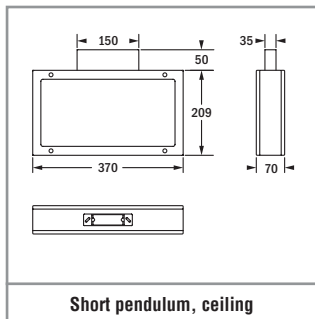
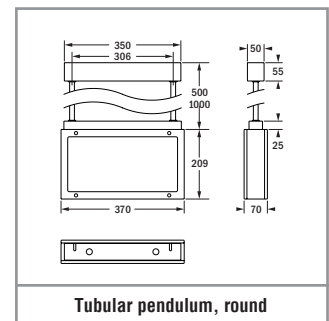
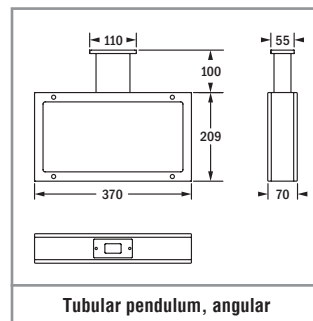
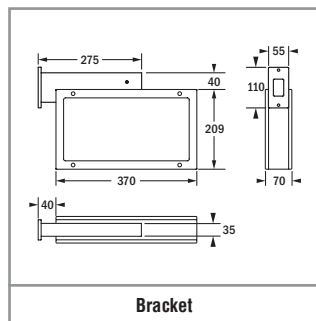
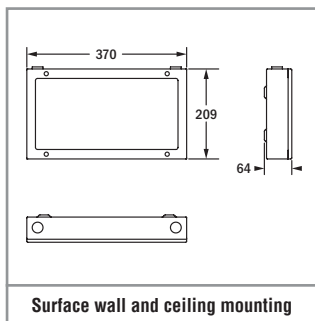
Sicuro230 Order code	Version		LED	$\Phi=$	S~	P=
-------------------------	---------	--	-----	---------	----	----

Surface wall mounting (1-sided escape route indication / illumination), surface ceiling mounting (illumination)

31020	white <sup>2</sup>	32 m	48	350 lm	9.4 VA / 4.7 W
31022	V2A	32 m	48	350 lm	9.4 VA / 4.7 W

Pendulum mounting adaptor (2-sided escape route indication)<sup>1</sup>

31021	white <sup>2</sup>	32 m	48	-	9.4 VA / 4.7 W
31023	V2A	32 m	48	-	9.4 VA / 4.7 W



Please order escape sign accessories separately

Order code	Description	
E16700M	Set of escape sign foils	
E16701M	Set of escape sign foils	
E16708M	Escape sign foil	
E16709M	Escape sign foil	
E16788M	Escape sign foil	
E16789M	Escape sign foil	

Please order accessories separately

Order code	Description	
White	V2A	
F95612	F95613	Short pendulum for ceiling mounting
F95603	F95608	Tubular pendulum, angular, 100 mm
F95604	F95609	Tubular pendulum, round, 500 mm
F95605	F95610	Tubular pendulum, round, 1,000 mm
F95606	F95611	Bracket
F95607	F95607	Protective basket (only for surface wall or ceiling mounting without pendulum, bracket)



## ALU-K

**Housing made of flat aluminium profiles with angular contours.**

Available as escape sign luminaire or safety luminaire. High-power LED with light guidance through special lenses for asymmetrical light distribution (illumination of escape routes with 1 lx) or for symmetrical light distribution (illumination of areas with 0.5 lx) for safety luminaire. 1 or 2-sided escape route indication through exchangeable panes with additional light outlet downwards for surface wall mounting for escape sign luminaire.

Escape sign luminaire: Versions for surface wall mounting and with additional accessories for pendulum and bracket

Safety luminaire: Versions for surface wall and ceiling mounting

### MOUNTING TYPES



### MOUNTING TYPES WITH ACCESSORIES



### TECHNICAL DATA

<b>Housing:</b>	Aluminium, anodized, grey	<b>Color temperature:</b>	4.000 K (ESL & SL)
<b>Pane:</b>	PMMA, printed (escape sign luminaire) PMMA, transparent (safety luminaire)	<b>Color rendering index:</b>	80 (ESL) 70 (SL)
<b>Reflector:</b>	Aluminium, specular	<b>Optic interface:</b>	LIFE
<b>Service life L<sub>80B20</sub>:</b>	50.000 h		
<b>Color stability:</b>	3 SDCM		



**Commissioning:** For Autotest, operating duration, operating mode PS, monitoring group and test duration are only programmable per app B.connect over smartphone locally on luminaire.

### SELF-CONTAINED SUPPLY

<b>Mains supply:</b>	198 V – 254 V/50 Hz
<b>Switching:</b>	Maintained and non-maintained
<b>Ambient temperature:</b>	0 °C to +40 °C
<b>Protection class:</b>	I

### DECENTRAL SUPPLY

<b>Mains supply:</b>	24 V +/- 20 % DC
<b>Battery supply:</b>	24 V +/- 20 % DC
<b>Ambient temperature:</b>	-20 °C to +40 °C
<b>Protection class:</b>	III

### CENTRAL SUPPLY

<b>Mains supply:</b>	198 V – 254 V/50 Hz
<b>Battery supply:</b>	176 V – 276 V
<b>Ambient temperature:</b>	-20 °C to +40 °C
<b>Protection class:</b>	I
<b>Mains supply (alt.):</b>	90 V – 254 V / 50/60 Hz
<b>Battery supply (alt.):</b>	90 V – 276 V

Variant	Area 3.5 m	Area 7 m	Escape route
LIFE – safety luminaire	227 lm	223 lm	220 lm
Sicuro24 / Sicuro230 – safety luminaire	302 lm	297 lm	294 lm

Autotest / CableCom Order code	Logica Order code	Logica FM Order code							
-----------------------------------	----------------------	-------------------------	--	--	--	--	--	--	--

Surface wall mounting (1-sided escape route indication)

37033	37034	37035	24 m	24	-	-	-	LIFE 6.4 V / 1.5 Ah	8 VA
37036	37037	37038	30 m	32	-	-	-	LIFE 6.4 V / 1.5 Ah	8 VA
37039	37040	37041	53 m	48	-	-	-	LIFE 6.4 V / 1.5 Ah	8 VA

Pendulum mounting adaptor (2-sided escape route indication)<sup>1</sup>

37042	37043	37044	24 m	24	-	-	-	LIFE 6.4 V / 1.5 Ah	8 VA
37045	37046	37047	30 m	32	-	-	-	LIFE 6.4 V / 1.5 Ah	8 VA
37048	37049	37050	53 m	48	-	-	-	LIFE 6.4 V / 1.5 Ah	8 VA

Surface wall mounting, surface ceiling mounting with 3 changeable lenses (escape route illumination / area illumination)

37051	37052	37053	-	1	Escape route 294 lm	Escape route 170 lm	Escape route 58 lm	LIFE 6.4 V / 1.5 Ah	8 VA
					Area 3.5 m / 7 m 302 lm / 297 lm	Area 3.5 m / 7 m 173 lm / 171 lm	Area 3.5 m / 7 m 60 lm / 60 lm		

**SICURO** DECENTRAL SUPPLY

Sicuro24 Order code				
------------------------	--	--	--	--

Surface wall mounting (1-sided escape route indication)

32011	24 m	24	-	2.2 W
32012	30 m	32	-	2.9 W
32013	53 m	48	-	4.3 W

Pendulum mounting adaptor (2-sided escape route indication)<sup>1</sup>

32014	24 m	24	-	2.2 W
32015	30 m	32	-	2.9 W
32016	53 m	48	-	4.3 W

Surface wall mounting, surface ceiling mounting with 3 changeable lenses (escape route illumination / area illumination)

32017	-	1	Escape route 294 lm	3.8 W
			Area 3.5 m / 7 m 302 lm / 297 lm	

**SICURO** CENTRAL SUPPLY

Sicuro230 Order code					
-------------------------	--	--	--	--	--

Surface wall mounting (1-sided escape route indication)

31011	24 m	24	-	5.8 VA / 2.5 W
31012	30 m	32	-	7.4 VA / 3.5 W
31013	53 m	48	-	9.4 VA / 4.7 W

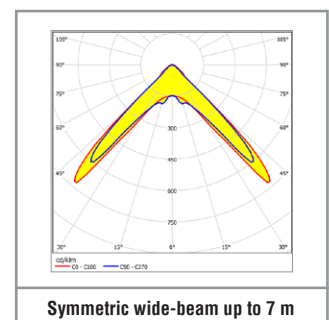
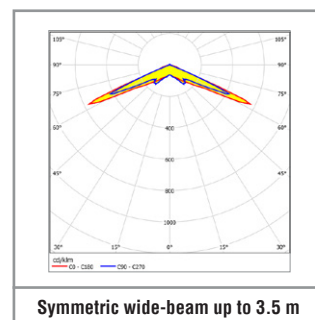
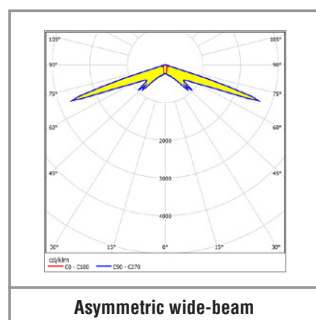
Pendulum mounting adaptor (2-sided escape route indication)<sup>1</sup>

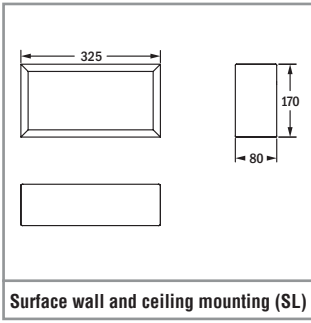
31014	24 m	24	-	5.8 VA / 2.5 W
31015	30 m	32	-	7.4 VA / 3.5 W
31016	53 m	48	-	9.4 VA / 4.7 W

Surface wall mounting, surface ceiling mounting with 3 changeable lenses (escape route illumination / area illumination)

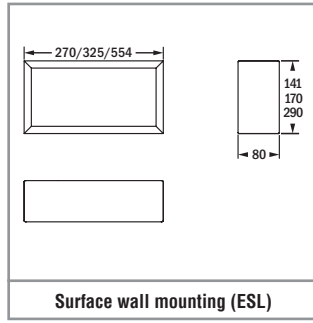
31017	-	1	Escape route 294 lm	8.3 VA / 4.1 W
			Area 3.5 m / 7 m 302 lm / 297 lm	

<sup>1</sup> Please order additional required accessories for pendulum and bracket separately. Luminaires with pendulum mounting adaptor are required for all types of pendulums as well as the bracket.

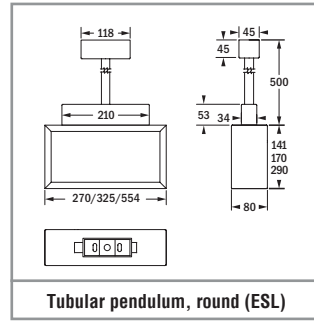




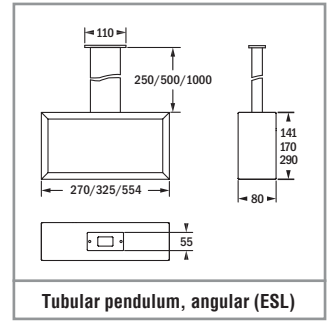
Surface wall and ceiling mounting (SL)



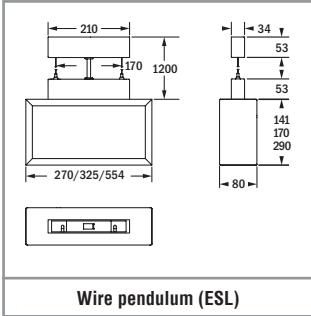
Surface wall mounting (ESL)



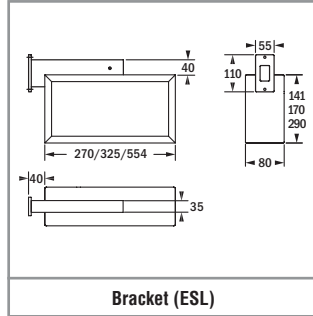
Tubular pendulum, round (ESL)



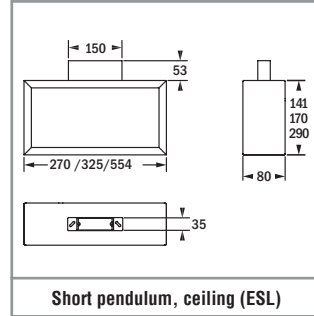
Tubular pendulum, angular (ESL)



Wire pendulum (ESL)



Bracket (ESL)



Short pendulum, ceiling (ESL)





Mounting type short pendulum, ceiling – F95717

**Included in scope of delivery (safety luminaire)**

Order code	Description
–	Symmetrical wide-beam lens for mounting height 3.5 m
–	Symmetrical wide-beam lens for mounting height 7 m
–	Asymmetrical wide-beam lens

**Please order escape sign accessories separately**

Order code			Description	
VD 24 m	VD 30 m	VD 53 m		
E16710M	E16715M	E16720M	Escape sign pane	
E16711M	E16716M	E16721M	Escape sign pane	
E16712M	E16717M	E16722M	Escape sign pane	
E16713	E16718	E16723	Pane, opal, PMMA	
E16714	E16719	E16724	Pane, grey, PMMA	
E16733M	E16725M	–	Escape sign pane	
E16734M	E16726M	–	Escape sign pane	
E16735M	E16727M	–	Escape sign pane	
E16736M	E16728M	–	Escape sign pane	
E16729M	E16730M	E16731M	Escape sign pane	
–	E16442	–	F001 safety sign pane fire extinguisher	
–	E16443	–	F002 safety sign pane extinguishing hose	
–	E16444	–	F005 safety sign pane fire detector	

**Please order accessories separately**

Order code			Description
VD 24 m	VD 30 m	VD 53 m	
F95717	F95717	F95717	Short pendulum for ceiling mounting <sup>2</sup>
F95718	F95718	F95718	Tubular pendulum, angular, 250 mm <sup>2</sup>
F95719	F95719	F95719	Tubular pendulum, angular, 500 mm <sup>2</sup>
F95720	F95720	F95720	Tubular pendulum, angular, 1.000 mm <sup>2</sup>
F95722	F95722	F95722	Tubular pendulum, round, 500 mm <sup>2</sup>
F95723	F95723	F95723	Wire pendulum, max. 1.200 mm <sup>2</sup>
F95714	F95721	F95729	Bracket <sup>2</sup>
–	F95724	–	Protective basket (only for surface wall or ceiling mounting without pendulum, bracket)

<sup>2</sup> Sheet steel, aluminium grey



## ACCIAIO EM

**High type of protection and high impact resistance.** Housing made of galvanised sheet steel, caps made of plastic, pane made of tempered glass. Caps and pane tightly coupled with the housing. Light guidance through high-high-specular aluminium reflector. 1 or 2-sided escape route indication through exchangeable display panes. Explosion-protected for zone 2 (II 3G Ex nA IIB T4) and Zone 22 (II 3D Ex tD A22 T100).

Extremely resistant against mechanical and chemical stress.

Versions for surface wall and ceiling mounting and chain/wire, including swivelable wall holder

### MOUNTING TYPES



### MOUNTING TYPES WITH ACCESSORIES



### TECHNICAL DATA

<b>Housing:</b>	Sheet steel, galvanized, grey (RAL 7035)
<b>Caps:</b>	Polycarbonate / polybutylenterephthalate, grey (RAL 7035)
<b>Pane:</b>	Tempered glass, structured
<b>Display pane:</b>	PMMA (display pane) Polycarbonate (foil, printed)
<b>Reflector:</b>	Aluminium, specular

<b>Service life <math>L_{80}B_{20}</math>:</b>	50.000 h
<b>Color stability:</b>	3 SDCM
<b>Color temperature:</b>	4.000 K
<b>Color rendering index:</b>	80
<b>Optic interface:</b>	LIFE



**Commissioning - LIFE:** For Autotest, operating duration, operating mode PS, monitoring group and test duration are only programmable per app B.connect over smartphone locally on luminaire.

### SELF-CONTAINED SUPPLY

<b>Mains supply:</b>	198 V – 254 V/50 Hz
<b>Switching:</b>	Maintained and non-maintained or non-maintained
<b>Ambient temperature:</b>	0 °C to +40 °C
<b>Protection class:</b>	I

### DECENTRAL SUPPLY

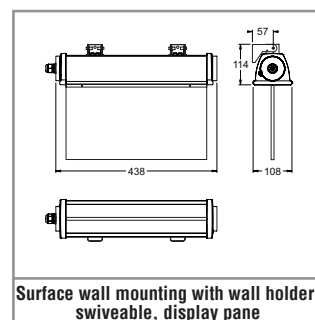
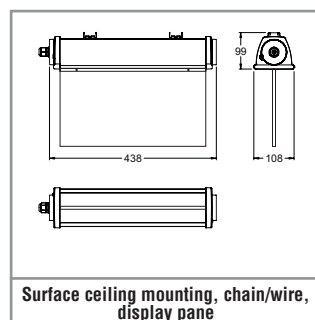
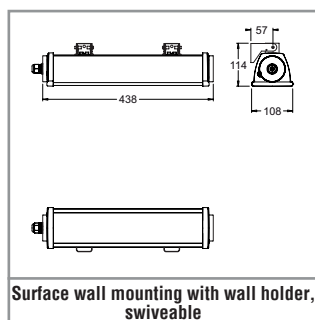
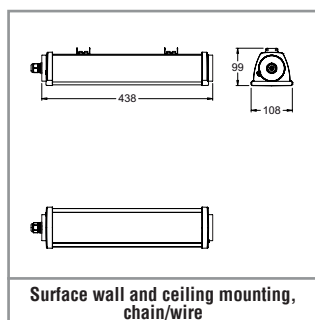
<b>Mains supply:</b>	24 V +/- 20 % DC
<b>Battery supply:</b>	24 V +/- 20 % DC
<b>Ambient temperature:</b>	-20 °C to +40 °C
<b>Protection class:</b>	III with connection only to low voltage, I with additional connection to voltages above low voltage

### CENTRAL SUPPLY

<b>Mains supply:</b>	198 V – 254 V/50 Hz
<b>Battery supply:</b>	176 V – 276 V
<b>Ambient temperature:</b>	-20 °C to +40 °C
<b>Protection class:</b>	I
<b>Mains supply (alt.):</b>	90 V – 254 V / 50/60 Hz <sup>6</sup>
<b>Battery supply (alt.):</b>	90 V – 276 V <sup>6</sup>

<sup>6</sup> For order code 31054

Variant	Order code	
LIFE	15030	250 lm
LIFE ECO	15032	–
Sicuro24 / Sicuro230	32055 / 31054	510 lm
Sicuro24	32092	–
Sicuro230	31053 / 17452	1.800 lm



## LIFE SELF-CONTAINED SUPPLY

10 YEARS GUARANTEE

Autotest / CableCom Order code	Logica Order code	Logica FM Order code		LED 	$\Phi=$ 1 h 	$\Phi=$ 3 h 	$\Phi=$ 8 h 		S~ 
Surface wall mounting (1-sided escape route indication / illumination), surface ceiling mounting, chain/wire (2-sided escape route indication / illumination)									
15030	15030+15036 <sup>5</sup>	15030+15049 <sup>5</sup>	38 m	32	500 lm	200 lm	70 lm	LIFE 6.4 V / 1.5 Ah	8 VA

## LIFE ECO SELF-CONTAINED SUPPLY

5 YEARS GUARANTEE

Autotest Order code	Logica Order code	Logica FM Order code		LED 	$\Phi=$ 1 h 	$\Phi=$ 3 h 	$\Phi=$ 8 h 		S~ 
Surface wall mounting (1-sided escape route indication / illumination), surface ceiling mounting, chain/wire (2-sided escape route indication / illumination)									
15032 <sup>1</sup>	15032 <sup>1</sup>	15032 <sup>1</sup> +19375 <sup>5</sup>	38 m	32	1500 lm	500 lm	200 lm	LIFE 12.8 V / 1.5 Ah	11.4 VA

## SICURO<sup>LED</sup> DECENTRAL SUPPLY

Sicuro24 Order code		LED 	$\Phi=$ 	P= 
Surface wall mounting (1-sided escape route indication / illumination), surface ceiling mounting, chain/wire (2-sided escape route indication / illumination)				
32055	38 m	32	510 lm	4.3 W
32092 <sup>2</sup>	38 m	32	900 lm	8 W
			1.800 lm	16 W

## SICURO<sup>LED</sup> CENTRAL SUPPLY

Sicuro230 Order code		LED 	$\Phi=$ 	S~ 	P= 
Surface wall mounting (1-sided escape route indication / illumination), surface ceiling mounting, chain/wire (2-sided escape route indication / illumination) <b>with luminaire monitoring (EU)</b>					
31054	38 m	32	510 lm	9.4 VA / 4.7 W	
31053 <sup>3</sup>	38 m	32	1.800 lm	19.6 VA / 14.8 W	
Surface wall mounting (1-sided escape route indication / illumination), surface ceiling mounting, chain/wire (2-sided escape route indication / illumination) <b>with circuit monitoring (SU)</b>					
17452 <sup>4</sup>	38 m	32	1.800 lm	17.4 VA / 14.2 W	

<sup>1</sup> With LIFE ECO inverter module 19391, only for non-maintained mode.

<sup>2</sup> With S24 inverter module G31446, only for non-maintained mode, light flux / power programmable over S24 station. Luminaire only suitable for illumination.

<sup>3</sup> With S230 inverter module 17381 (in LED driver function).

<sup>4</sup> With LED driver.

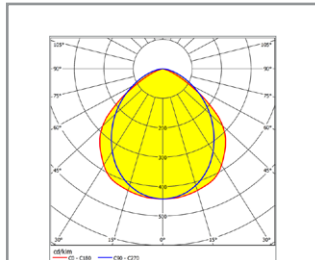
<sup>5</sup> Please order Logica interface (15036) and Logica FM interface (15049) separately.

<sup>6</sup> Please order Logica FM interface (19375) separately.

<sup>7</sup> 1 piece per luminaire required.



Wall holder,  
included in scope of delivery – 20122



Light distribution curve

### Please order accessories separately

Order code	Description
15036	Logica interface for LIFE
15049	Logica FM interface for LIFE (IP65, luminaire attachment)
19375	Logica FM interface for LIFE ECO
15038	DALI interface for LIFE (for connection to DALI central of the general and safety lighting)

### Please order escape sign accessories separately

Order code	Description
19064	Set of escape sign display panes

### Included in scope of delivery

Order code	Description
20122 <sup>7</sup>	Wall holder, swiveable (+45°)

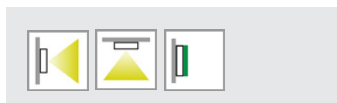
## FORMULA65



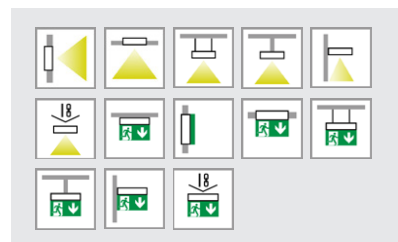
**High type of protection.** Housing with convex shaped light outlet area and clear cover with click-closures. Light guidance through plastic reflector. 1-sided escape route indication (viewing distance 25 m) through self-adhesive escape sign foils, 2-sided escape route indication (viewing distance 30 m) through escape sign display pane.

Versions for surface wall and ceiling mounting and with additional accessories for recessed wall mounting, recessed ceiling mounting, pendulum, bracket and chain/wire

### MOUNTING TYPES



### MOUNTING TYPES WITH ACCESSORIES



### TECHNICAL DATA

<b>Housing:</b>	Polycarbonate, white (RAL 9003)
<b>Cover:</b>	Polycarbonate, transparent
<b>Display pane:</b>	PMMA (pane, transparent) / Polycarbonate (foil, printed)
<b>Foil:</b>	PVC, printed
<b>Reflector:</b>	Polycarbonate, white
<b>Type of protection:</b>	IP65 (luminaire) IP20 (external equipment housing)

<b>Service life <math>L_{80B_{50}}</math>:</b>	50.000 h
<b>Color stability:</b>	3 SDCM
<b>Color temperature:</b>	4.000 K
<b>Color rendering index:</b>	80
<b>Optic interface:</b>	Freezer for LIFE, LIFE



**Commissioning:** Freezer for LIFE:  
For Autotest, operating duration, operating mode PS, monitoring group and test duration are only programmable per app B.connect over smartphone locally on luminaire.  
LIFE:  
For Autotest, operating duration 8h, operating mode PS, monitoring group and test duration are only programmable per app B.connect over smartphone locally on luminaire.

### SELF-CONTAINED SUPPLY

<b>Mains supply:</b>	198 V – 254 V/50 Hz
<b>Switching:</b>	Maintained and non-maintained
<b>Ambient temperature:</b>	
LIFE:	0 °C to +40 °C
LIFE ECO:	0 °C to +40 °C
LIFE - Freezer:	-40 °C to +40 °C (luminaire) 0 °C to +40 °C (equipment housing)
<b>Protection class:</b>	II

### DECENTRAL SUPPLY

<b>Mains supply:</b>	24 V +/- 20 % DC
<b>Battery supply:</b>	24 V +/- 20 % DC
<b>Ambient temperature:</b>	-20 °C to +40 °C
<b>Protection class:</b>	III with connection only to low voltage, II with additional connection to voltages above low voltage

### CENTRAL SUPPLY

<b>Mains supply:</b>	198 V – 254 V/50 Hz
<b>Battery supply:</b>	176 V – 276 V
<b>Ambient temperature:</b>	-20 °C to +40 °C
<b>Protection class:</b>	II
<b>Mains supply (alt.):</b>	90 V – 254 V / 50/60 Hz <sup>10</sup>
<b>Battery supply (alt.):</b>	90 V – 276 V <sup>10</sup>

<sup>10</sup> For order code 31124

Variant	Order code	
LIFE ECO / LIFE	R2436SA / 37093 / 37094 / 37095 / 19296	250 lm
LIFE ECO / LIFE	19433 / 19435	500 lm
Sicuro24 / Sicuro230	32094 / 31124	400 lm
Sicuro230	31125	600 lm
Sicuro230	31150	1.000 lm
Sicuro24 / Sicuro230	32091 / 31122	1.600 lm

#### Version Freezer for LIFE

Freezer = light flux of 250 lm in mains operation. Factory-made with external equipment housing, which contains the battery and the LIFE driver module.

#### Version ULTIMATE LS-UV for Sicuro24

ULTIMATE = particularly high light flux of 1600 lm in mains operation. Factory-made with light switch query (LS) and sub distribution monitoring (UV) through S24 inverter module G31446 in combination with a LED driver.

#### Version LS-UV for Sicuro230

Factory-made with light switch query (LS) and sub distribution monitoring (UV) through S230 module 17382 in combination with a LED driver.

#### Version ULTIMATE LS-UV for Sicuro230

ULTIMATE = particularly high light flux of 1600 lm in mains and battery operation. Factory-made with light switch query (LS) and sub distribution monitoring (UV) through S230 module 17382 in combination with a LED driver.

## LIFE SELF-CONTAINED SUPPLY - VERSION FREEZER WITH EXTERNAL EQUIPMENT HOUSING

10 YEARS GUARANTEE

Autotest / CableCom Order code	Logica Order code	Logica FM Order code		LED	$\Phi=$ 1h	$\Phi=$ 3h	$\Phi=$ 8h		S~
Surface wall mounting (1-sided escape route indication / illumination), surface ceiling mounting (2-sided escape route indication / illumination) <sup>1</sup>									
37093 <sup>10</sup>	37094 <sup>10</sup>	37095 <sup>10</sup>	25 m	32	400 lm	200 lm	80 lm	LIFE 6.4 V / 1.5 Ah	8 VA

## LIFE SELF-CONTAINED SUPPLY

10 YEARS GUARANTEE

Autotest / CableCom Order code	Logica Order code	Logica FM Order code		LED	$\Phi=$ 1h	$\Phi=$ 3h	$\Phi=$ 8h		S~
Surface wall mounting (1-sided escape route indication / illumination), surface ceiling mounting (2-sided escape route indication / illumination) <sup>1</sup>									
19296	19296+15036 <sup>2</sup>	19296+15037 <sup>3</sup>	25 m	32	1.000 lm	400 lm	170 lm	2x LIFE 6.4 V / 1.5 Ah	34.8 VA
19435	19435+15036 <sup>2</sup>	19435+15037 <sup>3</sup>	25 m	32	1.500 / 2.200 <sup>4</sup> lm	550 / 900 <sup>4</sup> lm	190 / 340 <sup>4</sup> lm	LIFE 9.6 V / 1.5 Ah	40 VA

## LIFE ECO SELF-CONTAINED SUPPLY

5 YEARS GUARANTEE

Autotest Order code		LED	$\Phi=$ 1h	$\Phi=$ 3h	$\Phi=$ 8h		S~
Surface wall mounting (1-sided escape route indication / illumination), surface ceiling mounting (2-sided escape route indication / illumination) <sup>1</sup>							
R2436SA	25 m	32	700 lm	240 lm	100 lm	LIFE 3.2 V / 3 Ah	40 VA
19433	25 m	32	1.500 / 2.200 <sup>4</sup> lm	550 / 900 <sup>4</sup> lm	190 / 340 <sup>4</sup> lm	LIFE 9.6 V / 1.5 Ah	40 VA

## DECENTRAL SUPPLY, DECENTRAL SUPPLY - VERSION ULTIMATE LS-UV

Sicuro24 Order code		LED	$\Phi=$	P=
Surface wall mounting (1-sided escape route indication / illumination), surface ceiling mounting (2-sided escape route indication / illumination) <sup>1</sup>				
32094 <sup>5</sup>	25 m	32	400 lm	3.8 W
32091 <sup>6</sup>	25 m	32	400 lm	4.3 W

## CENTRAL SUPPLY, CENTRAL SUPPLY - VERSIONS LS-UV & ULTIMATE LS-UV

Sicuro230 Order code		LED	$\Phi=$	S~	P=
Surface wall mounting (1-sided escape route indication / illumination), surface ceiling mounting (2-sided escape route indication / illumination) <sup>1</sup>					
31124 <sup>7</sup>	25 m	32	400 lm	8.5 VA / 4.1 W	
31125 <sup>8</sup>	25 m	32	600 lm	8.1 VA / 6.4 W	
31150 <sup>8</sup>	25 m	32	1.000 lm	12 VA / 10.4 W	
31122 <sup>9</sup>	25 m	32	1.600 lm	15.9 VA / 15 W	

<sup>1</sup> Please order additional required accessories for recessed wall and ceiling mounting, pendulum, bracket and chain/wire separately. The pendulum mounting adaptors are needed for all types of pendulums, but not for the bracket.

<sup>2</sup> Please order Logica interface (15036) separately.

<sup>3</sup> Please order Logica FM interface (15037) separately.

<sup>4</sup> Light flux with subsidiary battery. Please order subsidiary battery separately.

<sup>5</sup> With S24 driver module G31445.

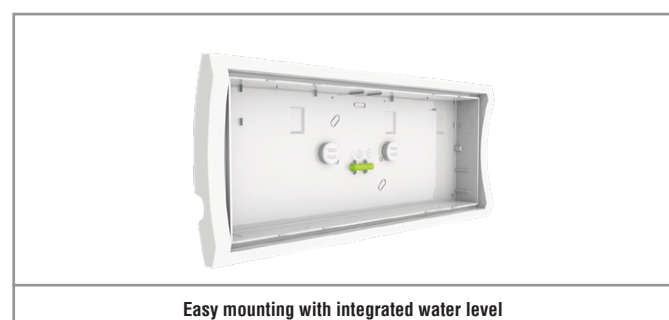
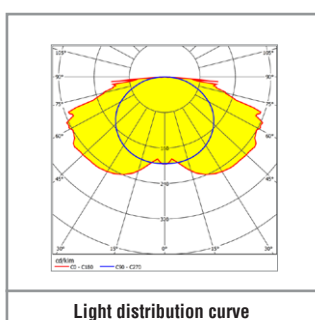
<sup>6</sup> Version Ultimate LS-UV (light switch query and sub distribution monitoring) with S24 inverter module G31446 and LED driver.

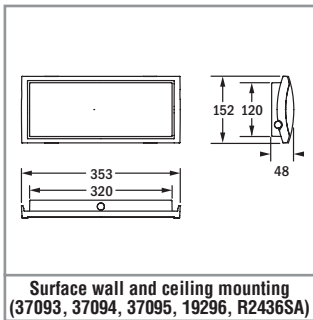
<sup>7</sup> With S230 driver module 17380.

<sup>8</sup> Version LS-UV (light switch query and sub distribution monitoring) with S230 module 17382 and LED driver.

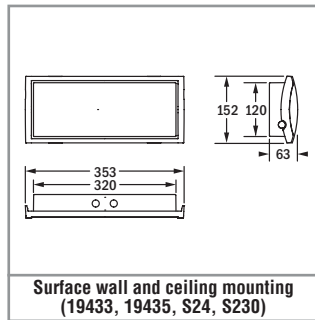
<sup>9</sup> Version Ultimate LS-UV (light switch query and sub distribution monitoring) with S230 module 17382 and LED driver.

<sup>10</sup> Version Freezer with battery and LIFE driver module in external equipment housing. Luminaire for use in rooms with particularly low ambient temperature.

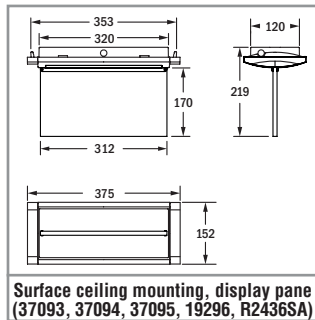




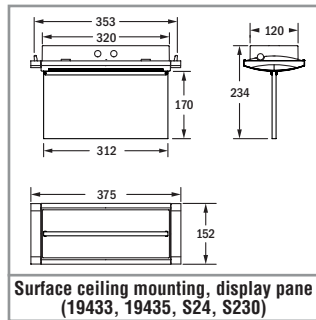
Surface wall and ceiling mounting  
(37093, 37094, 37095, 19296, R2436SA)



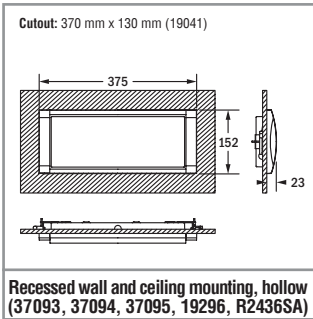
Surface wall and ceiling mounting  
(19433, 19435, S24, S230)



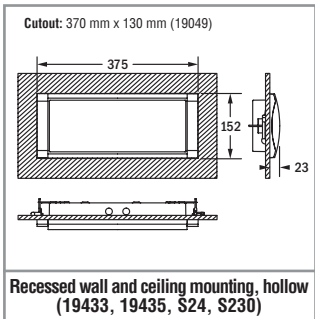
Surface ceiling mounting, display pane  
(37093, 37094, 37095, 19296, R2436SA)



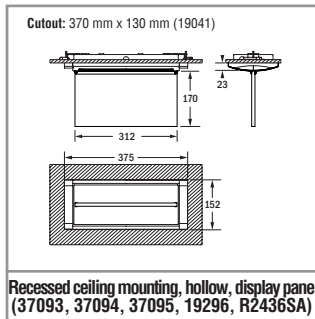
Surface ceiling mounting, display pane  
(19433, 19435, S24, S230)



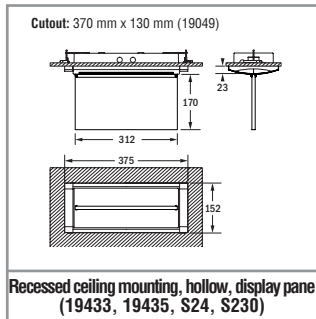
Recessed wall and ceiling mounting, hollow  
(37093, 37094, 37095, 19296, R2436SA)



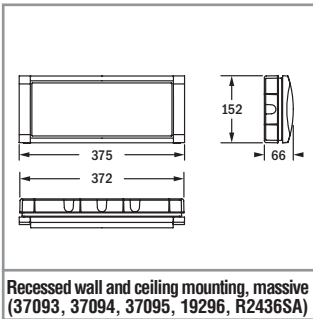
Recessed wall and ceiling mounting, hollow  
(19433, 19435, S24, S230)



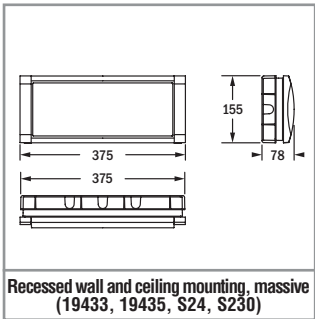
Recessed ceiling mounting, hollow, display pane  
(37093, 37094, 37095, 19296, R2436SA)



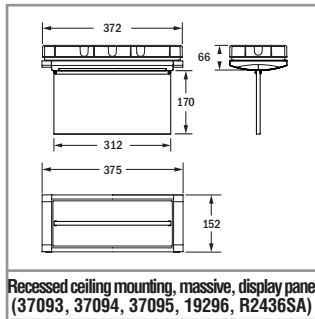
Recessed ceiling mounting, hollow, display pane  
(19433, 19435, S24, S230)



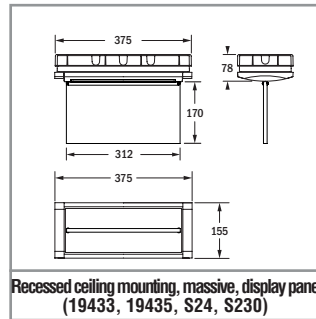
Recessed wall and ceiling mounting, massive  
(37093, 37094, 37095, 19296, R2436SA)



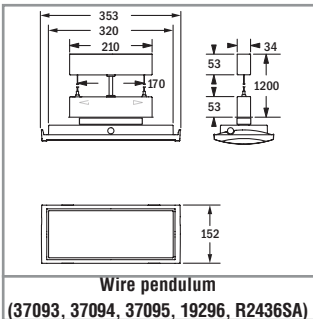
Recessed wall and ceiling mounting, massive  
(19433, 19435, S24, S230)



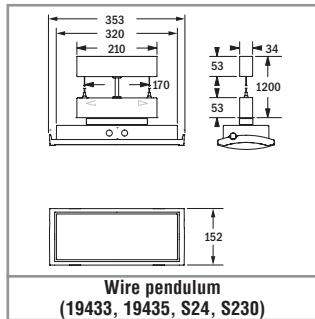
Recessed ceiling mounting, massive, display pane  
(37093, 37094, 37095, 19296, R2436SA)



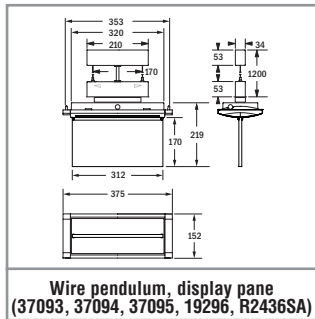
Recessed ceiling mounting, massive, display pane  
(19433, 19435, S24, S230)



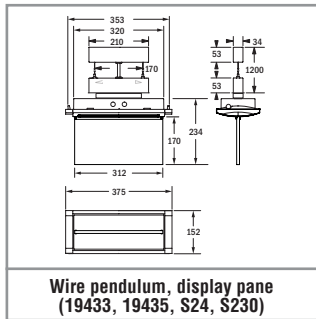
Wire pendulum  
(37093, 37094, 37095, 19296, R2436SA)



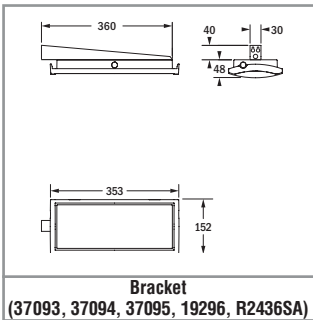
Wire pendulum  
(19433, 19435, S24, S230)



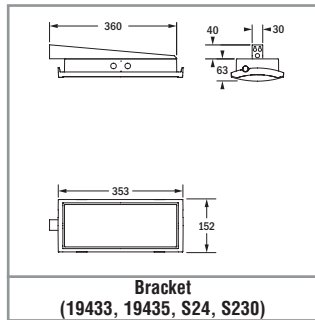
Wire pendulum, display pane  
(37093, 37094, 37095, 19296, R2436SA)



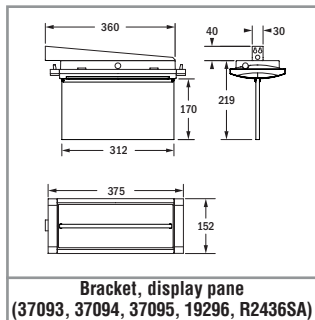
Wire pendulum, display pane  
(19433, 19435, S24, S230)



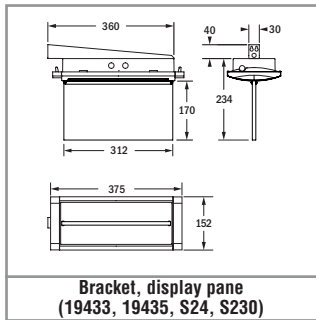
Bracket  
(37093, 37094, 37095, 19296, R2436SA)



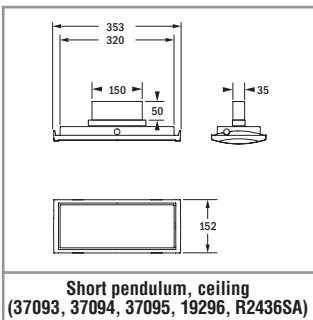
Bracket  
(19433, 19435, S24, S230)



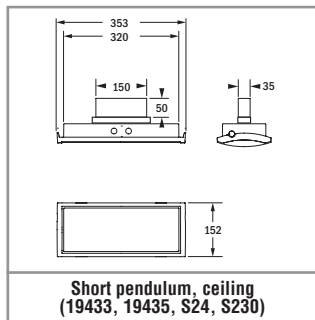
Bracket, display pane  
(37093, 37094, 37095, 19296, R2436SA)



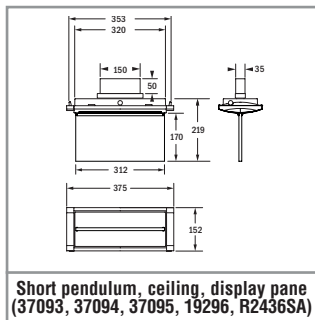
Bracket, display pane  
(19433, 19435, S24, S230)



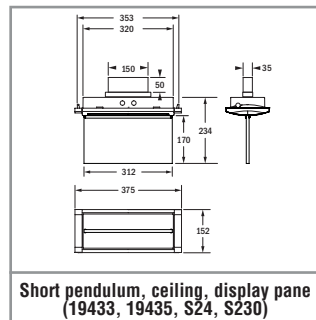
Short pendulum, ceiling  
(37093, 37094, 37095, 19296, R2436SA)



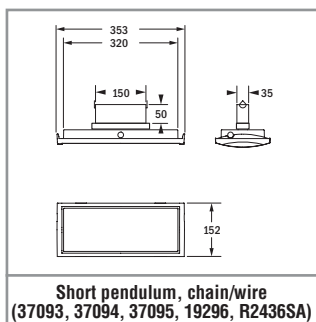
Short pendulum, ceiling  
(19433, 19435, S24, S230)



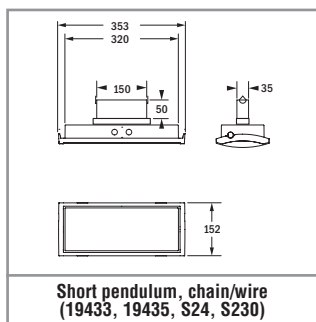
Short pendulum, ceiling, display pane  
(37093, 37094, 37095, 19296, R2436SA)



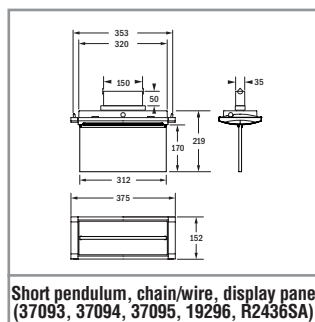
Short pendulum, ceiling, display pane  
(19433, 19435, S24, S230)



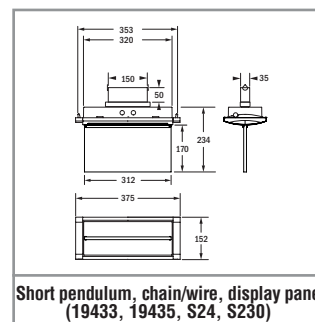
Short pendulum, chain/wire  
(37093, 37094, 37095, 19296, R2436SA)



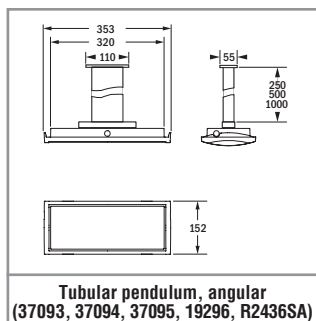
Short pendulum, chain/wire  
(19433, 19435, S24, S230)



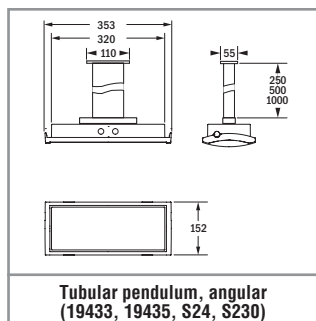
Short pendulum, chain/wire, display pane  
(37093, 37094, 37095, 19296, R2436SA)



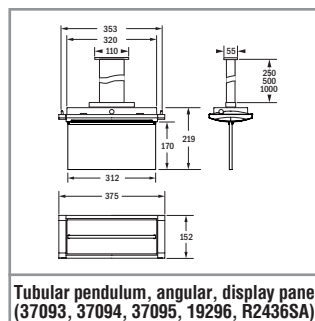
Short pendulum, chain/wire, display pane  
(19433, 19435, S24, S230)



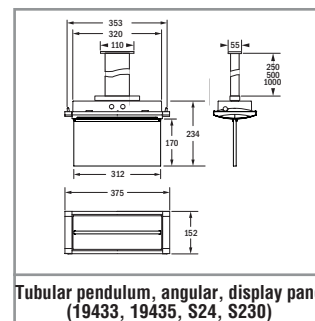
Tubular pendulum, angular  
(37093, 37094, 37095, 19296, R2436SA)



Tubular pendulum, angular  
(19433, 19435, S24, S230)



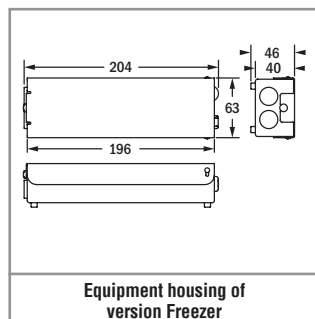
Tubular pendulum, angular, display pane  
(37093, 37094, 37095, 19296, R2436SA)



Tubular pendulum, angular, display pane  
(19433, 19435, S24, S230)



Mounting in massive walls (37093, 37094, 37095, 19296, R2436SA) – 19040



Equipment housing of  
version Freezer



Mounting in hollow ceilings (37093, 37094, 37095, 19296, R2436SA) – 19041

Please order accessories separately

Order code	Description
VD 25 m	VD 30 m
F95943	F95943 Pendulum mounting adaptor, for 37093, 37094, 37095, 19296, R2436SA
F95961	F95961 Pendulum mounting adaptor, for 19433, 19435, S24, S230
F95067	F95067 Short pendulum for chain and wire mounting
F95057	F95057 Short pendulum for ceiling mounting
F95600	F95600 Tubular pendulum, angular, 250 mm
F95601	F95601 Tubular pendulum, angular, 500 mm
F95602	F95602 Tubular pendulum, angular, 1.000 mm
F95401	F95401 Wire pendulum, max. 1.200 mm
19045	19045 Bracket
F95942	F95942 Cover for ceiling mounting with not fully closed ceilings as well as light band mounting
19040	19040 Recessed mounting set for massive walls and massive ceilings (concrete-cast housing), for 37093, 37094, 37095, 19296, R2436SA
19048	19048 Recessed mounting set for massive walls and massive ceilings (concrete-cast housing), for 19433, 19435, S24, S230
19041	19041 Recessed mounting set for hollow walls and hollow ceilings, for 37093, 37094, 37095, 19296, R2436SA
19049	19049 Recessed mounting set for hollow walls and hollow ceilings, for 19433, 19435, S24, S230
15036	15036 Logica interface for 19296 and 19435
15037	15037 Logica FM interface for 19296 and 19435
15038	15038 DALI interface for 19296 and 19435 (for connection to DALI central of the general and safety lighting)
3912	- Protective basket (only for surface wall or ceiling mounting without escape sign display pane / short pendulum)
RA06	RA06 Subsidiary battery LIFE 9.6 V / 1.5 Ah for 19433 and 19435

Included in scope of delivery

Order code	Description
VD 25 m	VD 30 m
19044	Set of escape sign foils

Please order escape sign accessories separately

Order code	Description
VD 25 m	VD 30 m
29000	Escape sign foil
E16040M-KIT-F65	Escape sign display pane
E16041M-KIT-F65	Escape sign display pane
E16042M-KIT-F65	Escape sign display pane
E16043M-KIT-F65	Escape sign display pane
E16045M-KIT-F65	Escape sign display pane
19059	Set of escape sign display panes



## AESTETICA

**Housing in compact design with plane light outlet area and clear cover.** Light guidance through plastic reflector. 1-sided escape route indication through exchangeable escape sign panes, 2-sided escape route indication through exchangeable display panes.

Versions for surface wall and ceiling mounting or with additional accessories for bracket

### MOUNTING TYPES



### MOUNTING TYPES WITH ACCESSORIES



### TECHNICAL DATA

**Housing:** Polycarbonate, white (RAL 9003)  
**Cover:** Polycarbonate, transparent  
**Display pane / pane:** PMMA, printed  
**Reflector:** Polycarbonate, white

**Service life  $L_{80B_{20}}$ :** 50.000 h  
**Color stability:** 3 SDCM  
**Color temperature:** 6.000 K  
**Color rendering index:** 80



### DECENTRAL SUPPLY

**Mains supply:** 24 V +/- 20 % DC  
**Battery supply:** 24 V +/- 20 % DC  
**Ambient temperature:** -20 °C to +40 °C  
**Protection class:** III

### CENTRAL SUPPLY

**Mains supply:** 198 V – 254 V / 50 Hz  
**Battery supply:** 176 V – 276 V  
**Ambient temperature:** -20 °C to +40 °C  
**Protection class:** II  
**Mains supply (alt.):** 90 V – 254 V / 50/60 Hz  
**Battery supply (alt.):** 90 V – 276 V

Variant

Sicuro24 / Sicuro230



120 lm



## SICURO<sup>LED</sup> DECENTRAL SUPPLY

Sicuro24 Order code				
------------------------	--	--	--	--

Surface wall mounting (1-sided escape route indication / illumination),  
surface ceiling mounting (2-sided escape route indication / illumination)<sup>1</sup>

32069	15 m	20	120 lm	1.7 W
-------	------	----	--------	-------

<sup>1</sup> Please order additional required accessories for bracket separately.

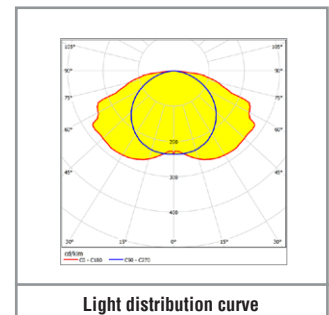
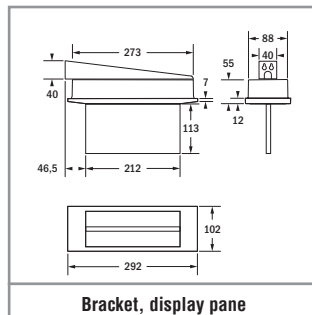
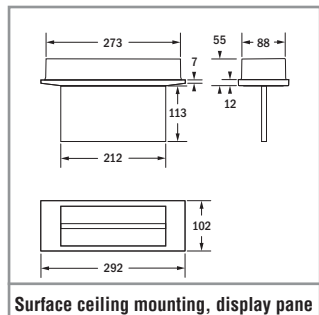
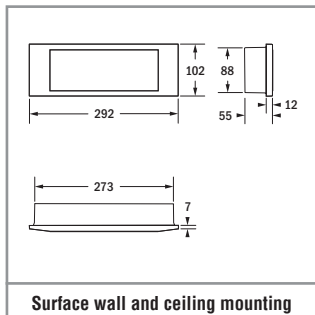


## SICURO<sup>LED</sup> CENTRAL SUPPLY

Sicuro230 Order code					
-------------------------	--	--	--	--	--

Surface wall mounting (1-sided escape route indication / illumination),  
surface ceiling mounting (2-sided escape route indication / illumination)<sup>1</sup>

31098	15 m	20	120 lm	4.8 VA / 1.8 W
-------	------	----	--------	----------------



Please order escape sign accessories separately				
Order code	VD 15 m	VD 20 m	Description	
16235	-	-	Escape sign pane, wall	
16236	-	-	Escape sign pane, wall	
16237	-	-	Escape sign pane, wall	
-	16233	-	Escape sign display pane, ceiling, bracket	
-	16234	-	Escape sign display pane, ceiling, bracket	

Please order accessories separately	
Order code	Description
4265	Bracket



## INFINITA LED RTI

Escape sign and safety luminaire with housing and cover made of polycarbonate (PC). High type of protection (IP65) and high impact resistance (IK08). Numerous cable entries. The RTI system offers a very homogeneous illumination of the escape sign foils as well as a glare-free light distribution when used as safety luminaire. With the special LED technology (for mounting heights of 2 m to over 12 m, luminaire distances for escape routes of up to 34 m) both escape routes and areas can be illuminated very efficiently.

Versions for surface wall and ceiling mounting and with additional accessories for recessed wall and ceiling mounting, pendulum, bracket and chain/wire

### MOUNTING TYPES WITH ACCESSORIES



### MOUNTING TYPES



### TECHNICAL DATA

<b>Housing:</b>	Polycarbonate, white (RAL 9003)	<b>Color temperature:</b>	4.000 K
<b>Cover:</b>	Polycarbonate, transparent	<b>Color rendering index:</b>	80
<b>Service life L<sub>80</sub>B<sub>20</sub>:</b>	50.000 h		



### SELF-CONTAINED SUPPLY

<b>Mains supply:</b>	198 V – 254 V / 50 Hz
<b>Switching:</b>	Maintained and non-maintained
<b>Ambient temperature:</b>	0 °C to +40 °C
<b>Protection class:</b>	II

### DECENTRAL SUPPLY

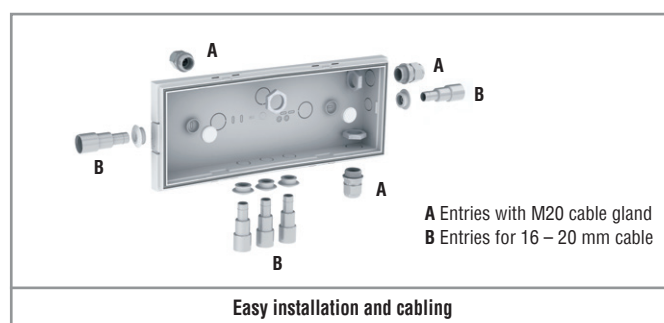
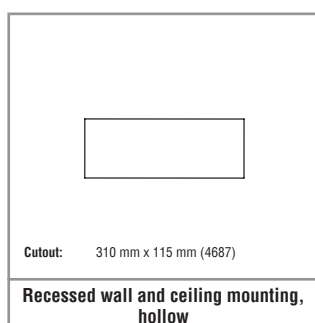
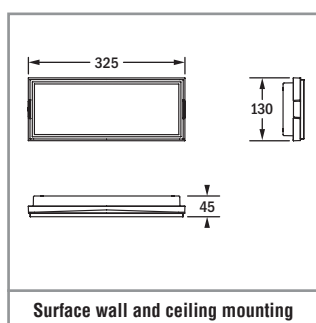
<b>Mains supply:</b>	24 V +/- 20 % DC
<b>Battery supply:</b>	24 V +/- 20 % DC
<b>Ambient temperature:</b>	-20 °C to +40 °C
<b>Protection class:</b>	III with connection only to low voltage, II with additional connection to voltages above low voltage

### CENTRAL SUPPLY

<b>Mains supply:</b>	198 V – 254 V / 50 Hz
<b>Battery supply:</b>	176 V – 276 V
<b>Ambient temperature:</b>	-20 °C to +40 °C
<b>Protection class:</b>	II
<b>Mains supply (alt.):</b>	90 V – 254 V / 50/60 Hz <sup>12</sup>
<b>Battery supply (alt.):</b>	90 V – 276 V <sup>12</sup>

<sup>12</sup> For order code 31170

Variant	Order code	
<b>LIFE</b>	<b>19470</b>	850 lm
<b>Sicuro24 / Sicuro230</b>	<b>32110 / 31170</b>	500 lm
<b>Sicuro24 / Sicuro230</b>	<b>32111 / 31171</b>	1.500 lm



Autotest Order code	Logica Order code	Logica FM Order code		LED 	$\Phi =$ 1 h 	$\Phi =$ 3 h 		S~ 
Surface wall mounting (1-sided escape route indication / illumination), surface ceiling mounting (2-sided escape route indication / illumination) <sup>1</sup>								
19470 <sup>3</sup>	19470 <sup>3</sup>	19470 <sup>3</sup> +15037 <sup>2</sup>	25 m	16	1.700 lm	620 lm	2x LIFE 9.6 V / 1.5 Ah	15 VA

**SICURO** DECENTRAL SUPPLY

Sicuro24 Order code		LED 	$\Phi =$ 	P= 
Surface wall mounting (1-sided escape route indication / illumination), surface ceiling mounting (2-sided escape route indication / illumination) <sup>1</sup>				
32110 <sup>4</sup>	25 m	16	500 lm	3.9 W
32111 <sup>5</sup>	25 m	16	500 lm	4.3 W

<sup>1</sup> Please order additional required accessories for recessed wall and ceiling mounting, pendulum, bracket and chain/wire separately.

<sup>2</sup> Please order Logica FM interface (15037) separately.

<sup>3</sup> Version UL for LIFE.

<sup>4</sup> Version L for Sicuro24.

<sup>5</sup> Version XL for Sicuro24.

**Version UL for LIFE**

UL = ultimate large light flux in battery operation through battery 2x LIFE 9.6 V / 1.5 Ah.

**Version L for Sicuro24**

L = large light flux of 500 lm in mains operation. With S24 driver module G31445.

**Version XL for Sicuro24**

XL = extra large light flux of 1500 lm in mains operation. Factory-made with light switch query and sub distribution monitoring through S24 inverter module G31446 in combination with a LED driver.

**SICURO** CENTRAL SUPPLY

Sicuro230 Order code		LED 	$\Phi =$ 	S~ 	P= 
Surface wall mounting (1-sided escape route indication / illumination), surface ceiling mounting (2-sided escape route indication / illumination) <sup>1</sup>					
31170 <sup>6</sup>	25 m	16	500 lm	8.6 VA / 4.5 W	
31171 <sup>7</sup>	25 m	16	1.500 lm	16.3 VA / 15.1 W	

<sup>6</sup> Version L for Sicuro230.

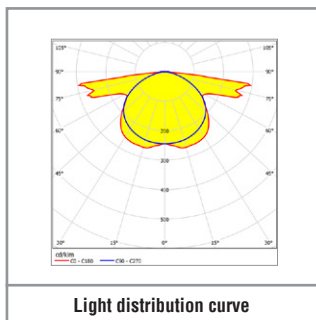
<sup>7</sup> Version XL for Sicuro230.

**Version L for Sicuro230**

L = large light flux of 500 lm in mains and battery operation. With S230 driver module 17380.

**Version XL for Sicuro230**

XL = extra large light flux of 1500 lm in mains and battery operation. Factory-made with light switch query and sub distribution monitoring through S230 module 17382 in combination with a LED driver.



**Included in scope of delivery**

Order code	Description	
4682	Set of escape sign foils, VD 25 m	

**Please order accessories separately**

Order code	Description
4683	Recessed mounting set for massive walls / massive ceilings (concrete-cast housing)
4685	Wall holder, not swiveable (-45°)
4686	Bracket
4687	Recessed mounting set for hollow walls / hollow ceilings
4315	Tubular pendulum, round, 250 mm
4316	Tubular pendulum, round, 500 mm
4317	Tubular pendulum, round, 1.000 mm
3723	Lug set for chain and wire mounting
3912	Protective basket (only for surface wall and ceiling mounting without 4681 / 4685)

**Please order further accessories separately (only for LIFE)**

Order code	Description
15037	Logica FM interface
15038	DALI interface (for connection to DALI central of the general or safety lighting)

**Please order escape sign accessories separately**

Order code	Description
4681	High cover for ceiling mounting as escape sign luminaire, opal, VD 25 m

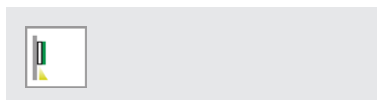


## KUBUS M

**Combined escape sign and safety luminaire.** Housing made of flat sheet steel profiles and angular contours. 1 or 2-sided escape route indication through exchangeable panes. Additional high-power LED with light guidance through special lenses for asymmetrical light distribution (illumination of escape routes with 1 lx) or for symmetrical light distribution (illumination of areas with 0.5 lx).

Versions for surface wall mounting and with additional accessories for pendulum, bracket and chain/wire

### MOUNTING TYPES



### MOUNTING TYPES WITH ACCESSORIES



### TECHNICAL DATA

<b>Housing:</b>	Sheet steel, white (RAL 9003)	<b>Color stability:</b>	3 SDCM
<b>Pane:</b>	PMMA, printed	<b>Color temperature:</b>	4.000 K (ESL & SL)
<b>Lens:</b>	PMMA, transparent	<b>Color rendering index:</b>	80 (ESL) 70 (SL)
<b>Service life L<sub>80</sub>B<sub>20</sub>:</b>	50.000 h		



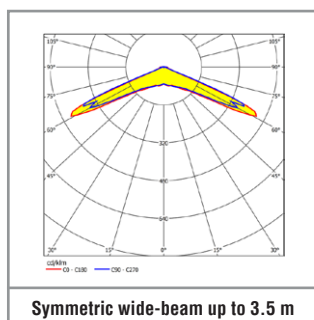
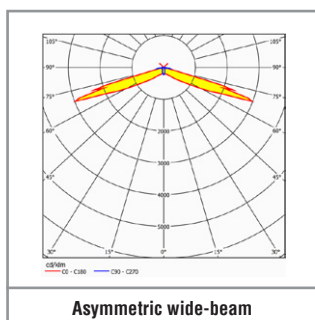
### DECENTRAL SUPPLY

<b>Mains supply:</b>	24 V +/- 20 % DC
<b>Battery supply:</b>	24 V +/- 20 % DC
<b>Ambient temperature:</b>	-20 °C to +40 °C
<b>Protection class:</b>	III

### CENTRAL SUPPLY

<b>Mains supply:</b>	198 V – 254 V / 50 Hz
<b>Battery supply:</b>	176 V – 276 V
<b>Ambient temperature:</b>	-20 °C to +40 °C
<b>Protection class:</b>	I
<b>Mains supply (alt.):</b>	90 V – 254 V / 50/60 Hz
<b>Battery supply (alt.):</b>	90 V – 276 V

Variant		Area 3.5 m	Escape route
Sicuro24 / Sicuro230 – partial component: safety luminaire	361 lm		330 lm



Sicuro24 Order code				
------------------------	--	--	--	--

Sicuro230 Order code					
-------------------------	--	--	--	--	--

Surface wall mounting with 2 changeable lenses  
(1-sided escape route indication / illumination)<sup>2</sup>

Surface wall mounting with 2 changeable lenses  
(1-sided escape route indication / illumination)<sup>2</sup>

32105	34 m	48 + 1	Escape route 330 lm	8.1 W
			Area 3.5m 361 lm	

31154	34 m	48 + 1	Escape route 330 lm	17.7 VA / 8.8 W
			Area 3.5m 361 lm	

Pendulum mounting adaptor with 2 changeable lenses  
(2-sided escape route indication / illumination)<sup>1,2</sup>

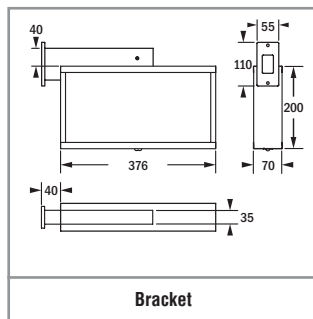
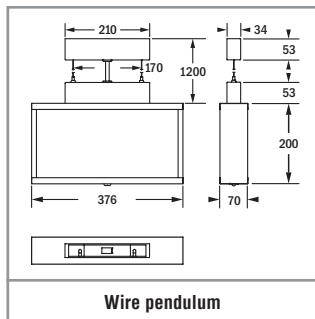
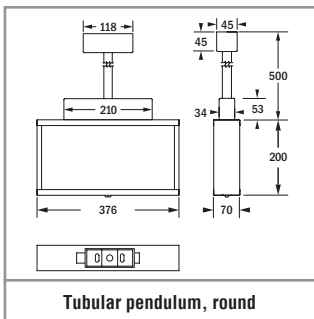
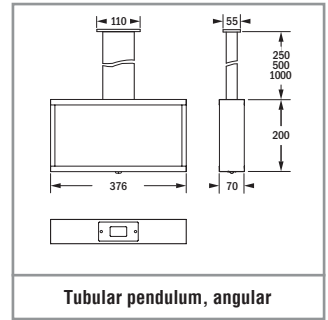
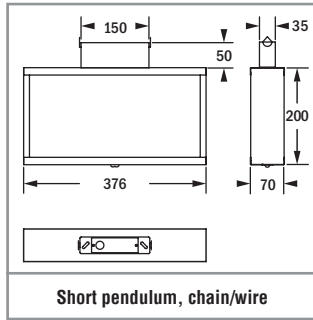
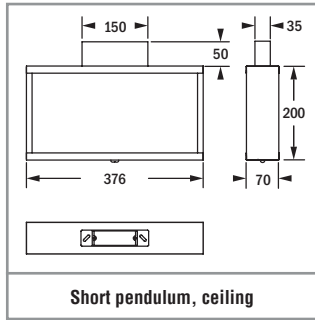
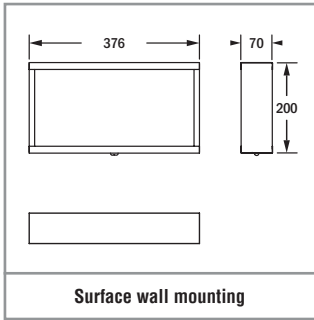
Pendulum mounting adaptor with 2 changeable lenses  
(2-sided escape route indication / illumination)<sup>1,2</sup>

32106	34 m	48 + 1	Escape route 330 lm	8.1 W
			Area 3.5m 361 lm	

31155	34 m	48 + 1	Escape route 330 lm	17.7 VA / 8.8 W
			Area 3.5m 361 lm	

<sup>1</sup> Please order additional required accessoires for pendulum, bracket and chain/wire separately. Luminaires with pendulum mounting adaptor are needed for all types of pendulums as well as the bracket.

<sup>2</sup> Luminaire is equipped with 2 separate monitoring and control modules. The operating modes of the two monitoring and control modules for illumination of the escape sign resp. the escape signs and the escape routes resp. areas are separately configurable.



Included in scope of delivery	
Order code	Description
-	Symmetrical wide-beam lens for mounting height 3.5 m
-	Asymmetrical wide-beam lens

Please order escape sign accessories separately	
Order code	Description
E16608M	Escape sign pane
E16609M	Escape sign pane
E16610M	Escape sign pane
E16617M	Escape sign pane
E16640M	Escape sign pane
E16642M	Escape sign pane
E16641M	Escape sign pane
E16643M	Escape sign pane
E16611	Pane, opal, PMMA
E16241	Pane, white, sheet steel

Please order accessories separately	
Order code	Description
F95057	Short pendulum for ceiling mounting
F95600	Tubular pendulum, angular, 250 mm
F95601	Tubular pendulum, angular, 500 mm
F95602	Tubular pendulum, angular, 1.000 mm
F95400	Tubular pendulum, round, 500 mm
F95401	Wire pendulum, max. 1.200 mm
F95056	Bracket
F95067	Short pendulum for chain mounting and wire mounting
F95032K	Protective basket (only for surface wall mounting without pendulum, bracket)

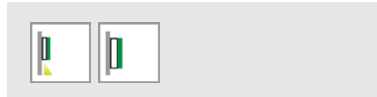


## TULA

**Combined escape sign and safety luminaire or escape sign luminaire.** Housing in flat design with convex light outlet area and opal pane. 1- or 2-sided escape route indication through self-adhesive foils. Additional high-power LED with light guidance through special lenses for asymmetrical light distribution (illumination of escape routes with 1 lx) or for symmetrical light distribution (illumination of areas with 0.5 lx) for combined escape sign and safety luminaire.

Versions for surface wall mounting and with additional accessories for pendulum and bracket

### MOUNTING TYPES



### MOUNTING TYPES WITH ACCESSORIES



### TECHNICAL DATA

**Housing:** Sheet steel, grey (RAL 9006)  
**Cover:** PMMA, opal  
**Foil:** PVC, printed  
**Lens:** PMMA, transparent  
**Service life  $L_{80}B_{20}$ :** 50.000 h

**Color stability:** 3 SDCM  
**Color temperature:** 4.000 K (ESL & SL)  
**Color rendering index:** 80 (ESL)  
 70 (SL)





### DECENTRAL SUPPLY

**Mains supply:** 24 V +/- 20 % DC  
**Battery supply:** 24 V +/- 20 % DC  
**Ambient temperature:** -20 °C to +40 °C  
**Protection class:** III

### CENTRAL SUPPLY

**Mains supply:** 198 V – 254 V / 50 Hz  
**Battery supply:** 176 V – 276 V  
**Ambient temperature:** -20 °C to +40 °C  
**Protection class:** I  
**Mains supply (alt.):** 90 V – 254 V / 50/60 Hz  
**Battery supply (alt.):** 90 V – 276 V

Variant		Area 3.5 m	 Escape route
Sicuro24 / Sicuro230 – partial component: safety luminaire	361 lm		330 lm

**SICURO** LED<sup>®</sup> DECENTRAL SUPPLY

Sicuro24 Order code				
------------------------	--	--	--	--

Surface wall mounting with 2 changeable lenses (1-sided escape route indication / illumination) or surface wall mounting (1-sided escape route indication)

<b>32025</b>	23 m	24	–	2.2 W
<b>32027</b>	32 m	48	–	4.3 W
<b>32028<sup>2</sup></b>	32 m	48 + 1	Escape route 330 lm	8.1 W
			Area 3.5 m 361 lm	

Pendulum mounting adaptor with 2 changeable lenses (2-sided escape route indication / illumination) or pendulum mounting adaptor (2-sided escape route indication)<sup>1</sup>

<b>32026</b>	23 m	24	–	2.2 W
<b>32029</b>	32 m	48	–	4.3 W
<b>32030<sup>2</sup></b>	32 m	48 + 1	Escape route 330 lm	8.1 W
			Area 3.5 m 361 lm	

<sup>1</sup> Please order additional required accessories for pendulum and bracket separately. Luminaires with pendulum mounting adaptor are needed for all types of pendulums as well as the bracket.

<sup>2</sup> Luminaire is equipped with 2 separate monitoring and control modules. The operating modes of the two monitoring and control modules for illumination of the escape sign resp. the escape signs and the escape routes resp. areas are separately configurable.

**SICURO** LED<sup>®</sup> CENTRAL SUPPLY

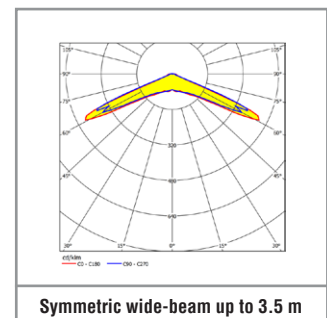
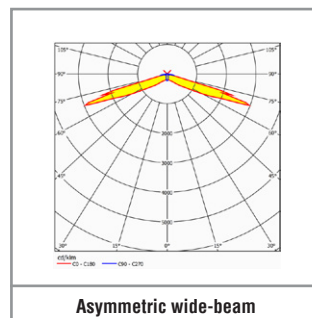
Sicuro230 Order code					
-------------------------	--	--	--	--	--

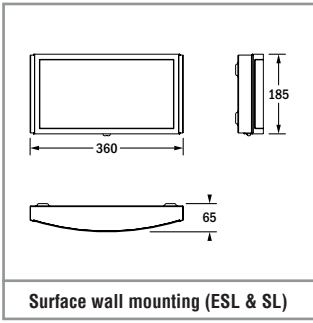
Surface wall mounting with 2 changeable lenses (1-sided escape route indication / illumination) or surface wall mounting (1-sided escape route indication)

<b>31025</b>	23 m	24	–	5.8 VA / 2.5 W
<b>31027</b>	32 m	48	–	9.4 VA / 4.7 W
<b>31028<sup>2</sup></b>	32 m	48 + 1	Escape route 330 lm	17.7 VA / 8.8 W
			Area 3.5 m 361 lm	

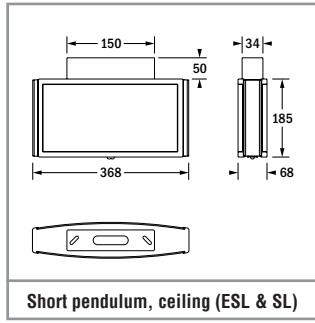
Pendulum mounting adaptor with 2 changeable lenses (2-sided escape route indication / illumination) or pendulum mounting adaptor (2-sided escape route indication)<sup>1</sup>

<b>31026</b>	23 m	24	–	5.8 VA / 2.5 W
<b>31029</b>	32 m	48	–	9.4 VA / 4.7 W
<b>31030<sup>2</sup></b>	32 m	48 + 1	Escape route 330 lm	17.7 VA / 8.8 W
			Area 3.5 m 361 lm	

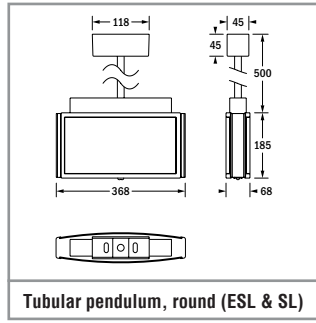




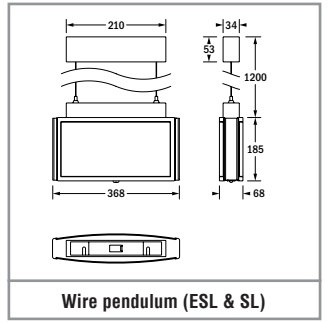
Surface wall mounting (ESL & SL)



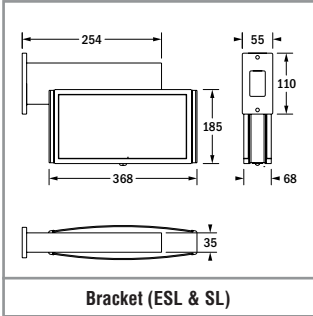
Short pendulum, ceiling (ESL & SL)



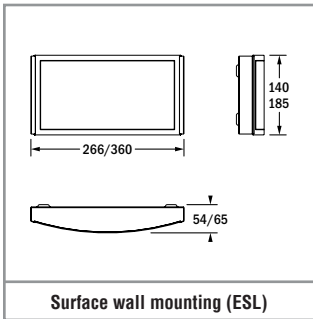
Tubular pendulum, round (ESL & SL)



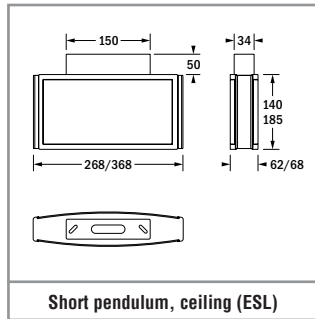
Wire pendulum (ESL & SL)



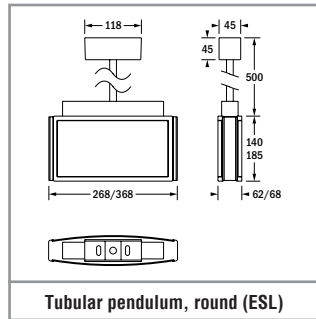
Bracket (ESL & SL)



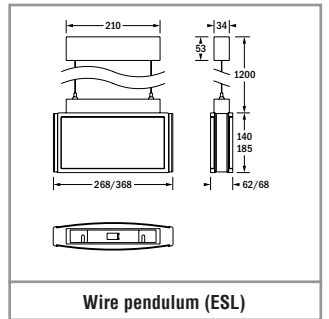
Surface wall mounting (ESL)



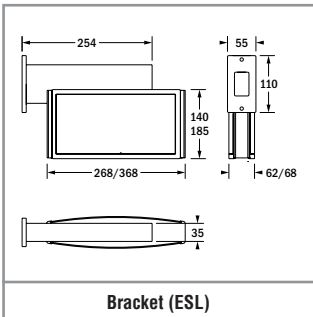
Short pendulum, ceiling (ESL)



Tubular pendulum, round (ESL)











Wire pendulum (ESL)



Bracket (ESL)



Included in scope of delivery			
Order code		Description	
VD 23 m	VD 32 m		
F15337MU	F15338MU	Escape sign foil	
F15337MR	F15338MR	Escape sign foil	
F15337ML	F15338ML	Escape sign foil	
F15337MO	F15338MO	Escape sign foil	
-	-	Symmetrical wide-beam lens for mounting height 3.5 m	
-	-	Asymmetrical wide-beam lens	

Please order escape sign accessories separately			
Order code		Description	
VD 23 m	VD 32 m		
F15337MLO	F15338MLO	Escape sign foil	
F15337MLU	F15338MLU	Escape sign foil	
F15337MRO	F15338MRO	Escape sign foil	
F15337MRU	F15338MRU	Escape sign foil	

Please order accessories separately	
Order code	Description
F95109PK	Short pendulum for ceiling mounting
F95109PR	Tubular pendulum, round, 500 mm
F95109PS	Wire pendulum, max. 1.200 mm
F95109P	Bracket

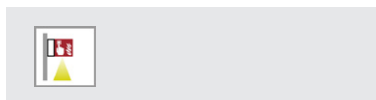


## SIGN LED

**Combined safety sign and safety luminaire.** Housing made of flat sheet steel profiles with angular contours in triangular shape. 2-sided indication of safety devices through exchangeable safety sign panes. Illumination of safety devices with 5 lx through high-power LED with light guidance through special lens.

Version for surface wall mounting

### MOUNTING TYPES



### TECHNICAL DATA

<b>Housing:</b>	Sheet steel, white (RAL 9003)	<b>Color temperature:</b>	6.500 K (SSL) 4.000 K (SL)
<b>Display pane:</b>	PMMA, printed	<b>Color rendering index:</b>	70 (SSL & SL)
<b>Lens:</b>	PMMA, transparent	<b>Optic interface:</b>	LIFE
<b>Service life L<sub>80</sub>B<sub>20</sub>:</b>	50.000 h		
<b>Color stability:</b>	3 SDCM		



**Commissioning:** For Autotest, operating duration, operating mode PS, monitoring group and test duration are only programmable per app B.connect over smartphone locally on luminaire.

### SELF-CONTAINED SUPPLY

<b>Mains supply:</b>	198 V – 254 V/50 Hz
<b>Switching:</b>	Maintained and non-maintained or non-maintained
<b>Ambient temperature:</b>	0 °C to +40 °C
<b>Protection class:</b>	I

### DECENTRAL SUPPLY

<b>Mains supply:</b>	24 V +/- 20 % DC
<b>Battery supply:</b>	24 V +/- 20 % DC
<b>Ambient temperature:</b>	-20 °C to +40 °C
<b>Protection class:</b>	III

### CENTRAL SUPPLY

<b>Mains supply:</b>	198 V – 254 V/50 Hz
<b>Battery supply:</b>	176 V – 276 V
<b>Ambient temperature:</b>	-20 °C to +40 °C
<b>Protection class:</b>	I
<b>Mains supply (alt.):</b>	90 V – 254 V / 50/60 Hz
<b>Battery supply (alt.):</b>	90 V – 276 V

### Variant

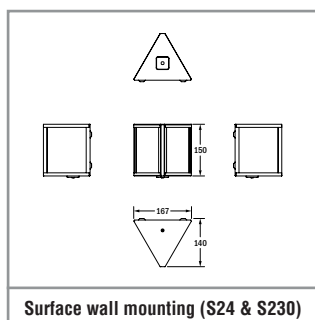
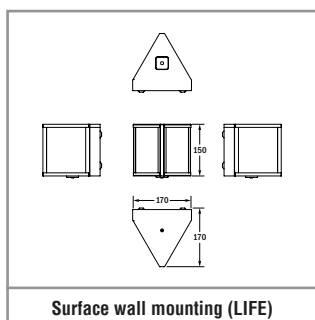
LIFE – partial component: safety luminaire



243 lm

Sicuro24 / Sicuro230 – partial component: safety luminaire

323 lm



Autotest / CableCom Order code	Logica Order code	Logica FM Order code			$\Phi =$ 1 h	$\Phi =$ 3 h	$\Phi =$ 8 h		
37225 <sup>1</sup>	37226 <sup>1</sup>	37227 <sup>1</sup>	26 m	2+1	323 lm	186 lm	65 lm	2x LIFE 6.4 V / 1.5 Ah	8 VA

**SICURO** DECENTRAL SUPPLY

Sicuro24 Order code			$\Phi =$	$P =$
32074 <sup>1</sup>	26 m	2+1	323 lm	6.7 W

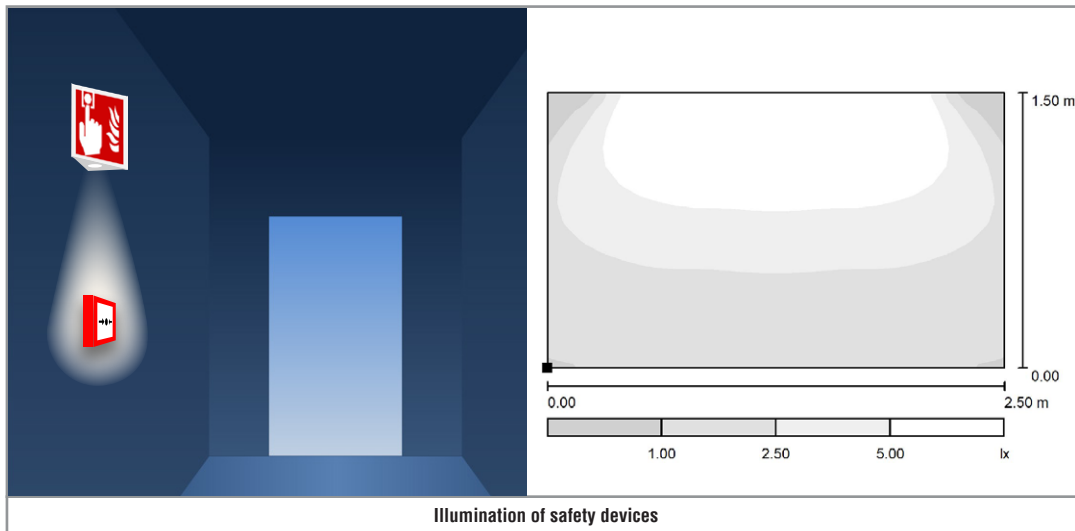
Surface wall mounting (2-sided indication) for indication and illumination of safety devices

**SICURO** CENTRAL SUPPLY

Sicuro230 Order code			$\Phi =$	$S \sim$	$P =$
31103 <sup>1</sup>	26 m	2+1	323 lm	15.7 VA / 7.6 W	

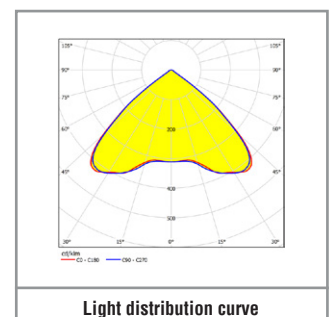
Surface wall mounting (2-sided indication) for indication and illumination of safety devices

<sup>1</sup> Luminaire is equipped with 2 separate monitoring and control modules.  
The operating modes of the two monitoring and control modules for illumination of the safety signs and the safety device are separately configurable.



**Please order safety sign accessories separately**

Order code	Description
E16914M	F001 safety sign pane fire extinguisher
E16915M	F002 safety sign pane extinguishing hose
E16913M	F005 safety sign pane fire detector
E16910M	E003 safety sign pane first aid
E16912M	E004 safety sign pane emergency telephone
E16911M	E007 safety sign pane assembly point
E16917M	E017 safety sign pane escape hatch
E16916M	E019 safety sign pane emergency hatch





## SCOUT LED

**Safety luminaire as mobile spotlight luminaire.** Housing made of polycarbonate with adjustable luminaire head (120°). Luminaire head with a main and a para lamp, switchable. Charging and switchover device integrated in housing.

Version for portable use

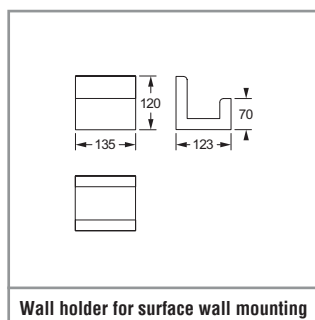
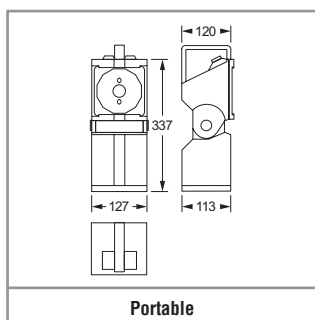
### TECHNICAL DATA

<b>Housing:</b>	Polycarbonate, orange (RAL 2009)	<b>Service life <math>L_{80B_{20}}</math>:</b>	50.000 h (main lamp & para lamp)
<b>Frame:</b>	Polycarbonate, grey (RAL 7026)	<b>Color stability:</b>	3 SDCM (main lamp & para lamp)
<b>Connection cable:</b>	H03VVH2-F 2x0.75 mm <sup>2</sup> (1.3 m), black	<b>Color temperature:</b>	5.700 K (main lamp & para lamp)
<b>Plug:</b>	Euro plug, type C	<b>Color rendering index:</b>	70 (main lamp & para lamp)

IP40 IK09

### SELF-CONTAINED SUPPLY

<b>Switching:</b>	Non-maintained
<b>Mains supply:</b>	230 V / 50/60 Hz
<b>Ambient temperature:</b>	0 °C to +40 °C
<b>Protection class:</b>	II

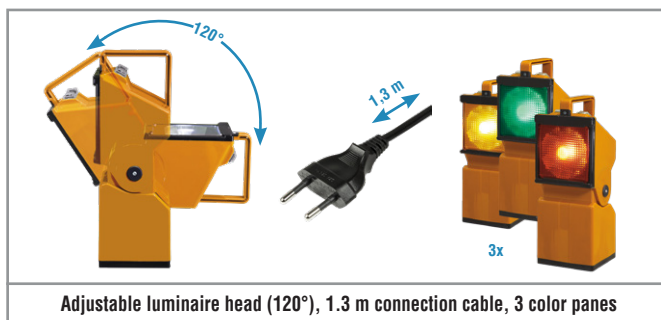
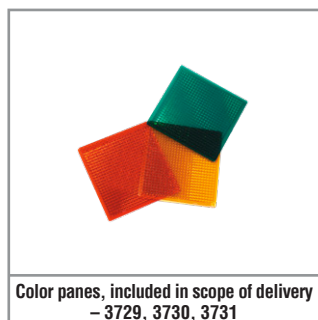


# CLASSIC SELF-CONTAINED SUPPLY

Order code	LED	$\Phi=$		P
8380	1+1	230 lm (9.5 h) <sup>1</sup> 23.5 lm (85 h) <sup>2</sup>	Pb 6 V / 4.5 Ah	2.4 W <sup>1</sup> 0.2 W <sup>2</sup>

<sup>1</sup> Main lamp

<sup>2</sup> Para lamp



Included in scope of delivery	
Order code	Description
3913	Carry belt
3729	Color pane, red
3730	Color pane, orange
3731	Color pane, green

Please order accessories separately	
Order code	Description
2750	Wall holder

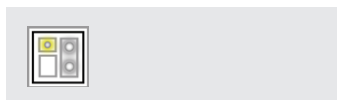
## PLURALUCE MODULE



**Luminaire module for installation in luminaires of the general lighting.** High-power LED with light guidance through special lenses for asymmetrical shining light distribution (illumination of escape routes with 1 lx), symmetrical shining light distribution (illumination of areas with 0.5 lx) and 1-sided asymmetrical shining light distribution (illumination of safety devices with 5 lx).

Version for luminaire installation

### MOUNTING TYPES



### TECHNICAL DATA

<b>Cover:</b>	Polycarbonate, white (RAL 9010)	<b>Color temperature:</b>	4.000 K
<b>Lens:</b>	PMMA, transparent	<b>Color rendering index:</b>	70
<b>Service life L<sub>80</sub>B<sub>20</sub>:</b>	50.000 h	<b>Optic interface:</b>	LIFE
<b>Color stability:</b>	3 SDCM		



**Commissioning:** For Autotest, operating duration, operating mode PS, monitoring group and test duration are only programmable per app B.connect over smartphone locally on luminaire.

### SELF-CONTAINED SUPPLY

<b>Mains supply:</b>	198 V – 254 V/50 Hz
<b>Switching:</b>	Maintained and non-maintained
<b>Ambient temperature:</b>	0 °C to +40 °C
<b>Protection class:</b>	II

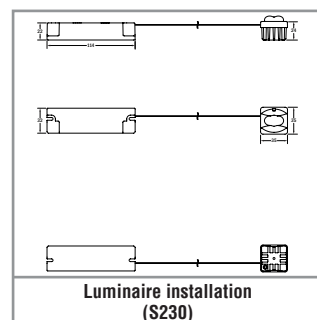
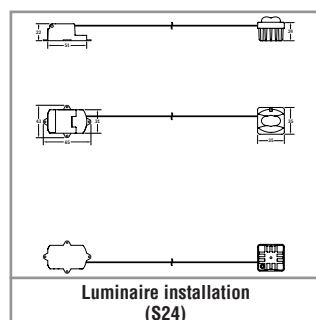
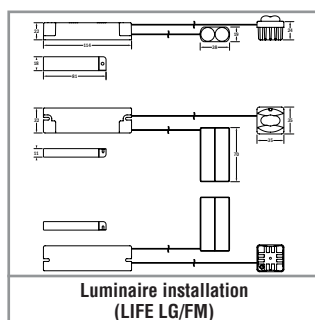
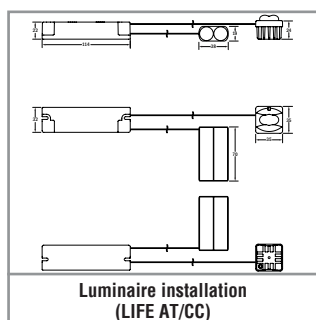
### DECENTRAL SUPPLY

<b>Mains supply:</b>	24 V +/- 20 % DC
<b>Battery supply:</b>	24 V +/- 20 % DC
<b>Ambient temperature:</b>	-20 °C to +40 °C
<b>Protection class:</b>	III

### CENTRAL SUPPLY

<b>Mains supply:</b>	198 V – 254 V/50 Hz
<b>Battery supply:</b>	176 V – 276 V
<b>Ambient temperature:</b>	-20 °C to +40 °C
<b>Protection class:</b>	II
<b>Mains supply (alt.):</b>	90 V – 254 V / 50/60 Hz
<b>Battery supply (alt.):</b>	90 V – 276 V

Variant	Area 3.5 m	Area 7 m	Escape route
LIFE	271 lm	271 lm	248 lm
Sicuro24 / Sicuro230	361 lm	361 lm	330 lm



Autotest / CableCom Order code	Logica Order code	Logica FM Order code	LED	$\Phi=$ 1 h	$\Phi=$ 3 h	$\Phi=$ 8 h		S~
-----------------------------------	----------------------	-------------------------	-----	-------------	-------------	-------------	--	----

Luminaire installation for area illumination and escape route illumination with 3 changeable lenses

37087	37088	37089	1	Escape route 330 lm Area 3.5 m / 7 m 361 lm / 361 lm	Escape route 190 lm Area 3.5 m / 7 m 207 lm / 207 lm	Escape route 66 lm Area 3.5 m / 7 m 72 lm / 72 lm	LIFE 6.4 V / 1.5 Ah	8 VA
-------	-------	-------	---	---	---	--	---------------------	------

**SICURO** DECENTRAL SUPPLY

Sicuro24 Order code	LED	$\Phi=$	P=
------------------------	-----	---------	----

Luminaire installation for area illumination and escape route illumination with 3 changeable lenses

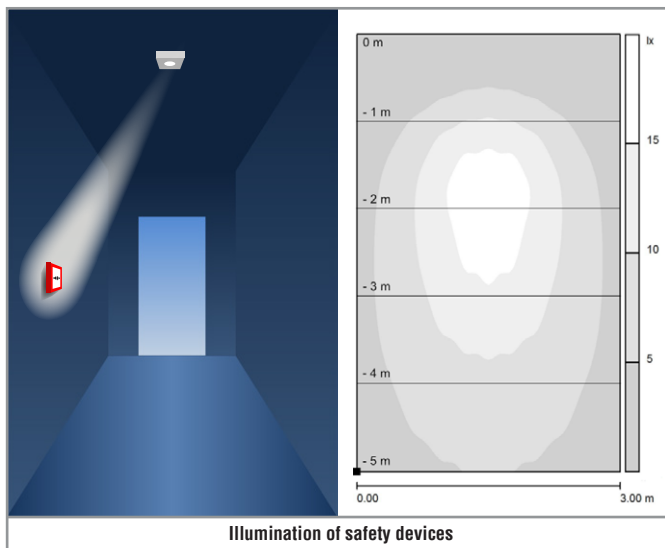
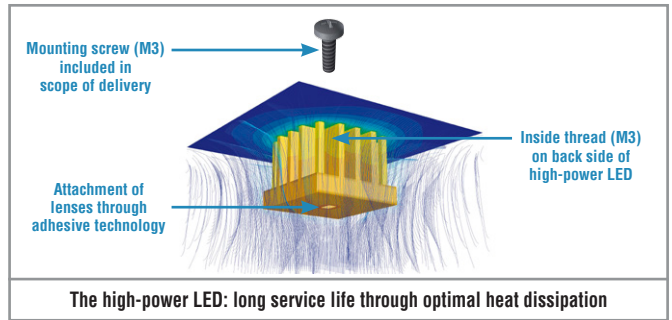
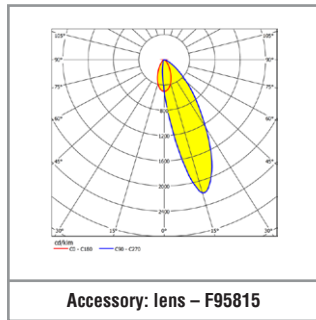
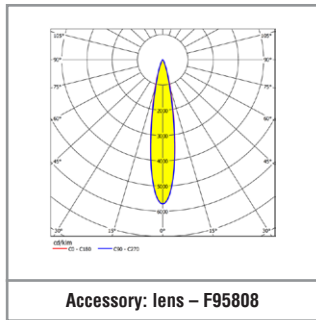
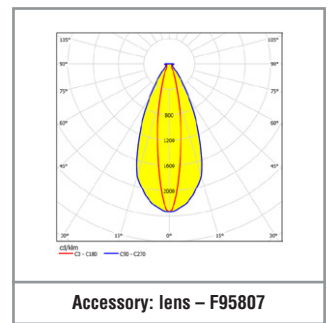
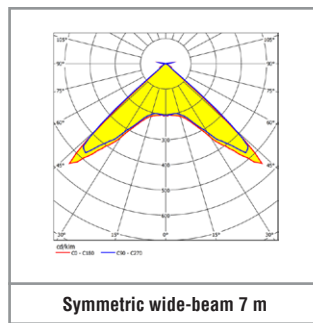
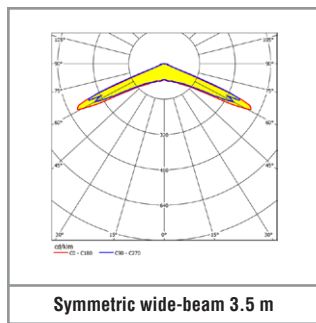
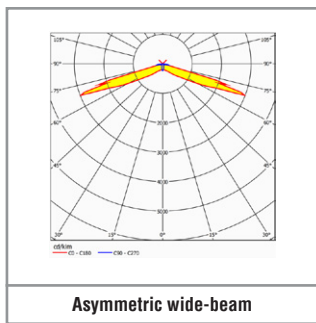
32042	1	Escape route 330 lm Area 3.5 m / 7 m 361 lm / 361 lm	3.8 W
-------	---	---	-------

**SICURO** CENTRAL SUPPLY

Sicuro230 Order code	LED	$\Phi=$	S~	P=
-------------------------	-----	---------	----	----

Luminaire installation for area illumination and escape route illumination with 3 changeable lenses

31040	1	Escape route 330 lm Area 3.5 m / 7 m 361 lm / 361 lm	8.3 VA / 4.1 W
-------	---	---	----------------



Included in scope of delivery	
Order code	Description
-	Symmetrical wide-beam lens for mounting height 3.5 m
-	Symmetrical wide-beam lens for mounting height 7 m
-	Asymmetrical wide-beam lens

Please order accessories separately	
Order code	Description
F95807	asymmetrical deep-beam lens for mounting heights > 7.5 m
F95808	symmetrical deep-beam lens for mounting heights > 7.5 m
F95815	asymmetrical shining lens for illumination of safety devices with 5 lx

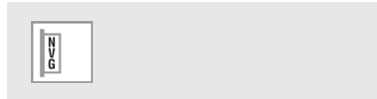


## NVG

**Emergency light supply device** for operation of 1 or 2 luminaires with LED lamp and electronic control gear, low-pressure discharge lamp and electronic as well as magnetic control gear or incandescent lamp. Connection of the luminaire(s) without change of the inner wiring. Variant with separate electronic and battery housing. Luminaire(s) individually switchable in mains operation. 2 adjustable output voltages for emergency and test operation – direct voltage for electronic control gears, square-shaped alternating voltage for magnetic control gears.

Version for surface wall mounting

### MOUNTING TYPES



### TECHNICAL DATA

<b>Housing:</b>	ABS, grey (RAL 7035)	<b>Type of protection:</b>	IP32 (Battery component) IP65 (Electronic component)
-----------------	----------------------	----------------------------	---



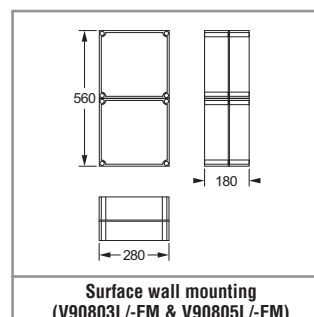
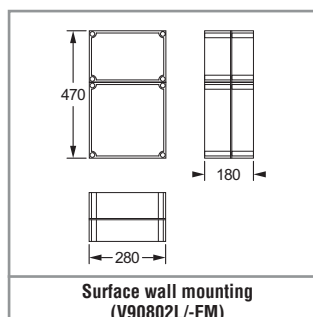
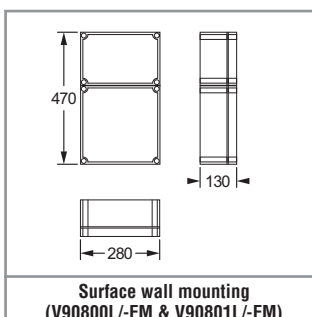
### SELF-CONTAINED SUPPLY

<b>Mains supply:</b>	230 V/50 Hz
<b>Switching:</b>	Maintained and non-maintained
<b>Ambient temperature:</b>	Electronic component: 0 °C to +40 °C Battery component: +20 °C
<b>Protection class:</b>	I (protective conductor only needed for connected luminaires with protection class I)

### SUPPLY – LUMINAIRE(S)





<b>Luminaire:</b>	LED lamp + electronic control gear discharge lamp + electronic control gear discharge lamp + magnetic control gear
<b>Output power(s):</b>	For direct voltage as output voltage (regardless of the operating duration): max. 1 x 120 W for use of only one output circuit, max. 2 x 60 W for use of both output circuits  For square-shaped alternating voltage as output voltage (regardless of the operating duration): max. 1 x 80 W for use of only one output circuit, max. 2 x 40 W for use of both output circuits

Order codes	Weight
V90800L / V90800L-FM	7 kg
V90801L / V90801L-FM	9 kg
V90802L / V90802L-FM	14 kg
V90803L / V90803L-FM	17 kg
V90805L / V90805L-FM	20 kg





## CLASSIC SELF-CONTAINED SUPPLY

Autotest Order code	Logica Order code	Logica FM Order code	 	 Autotest / Logica / Logica FM	
V90800L	V90800L	V90800L-FM	see table 1 h / 3 h	Pb 12 V / 6.5 Ah	3
V90801L	V90801L	V90801L-FM	see table 1 h / 3 h	Pb 12 V / 13 Ah	3
V90802L	V90802L	V90802L-FM	see table 1 h / 3 h	Pb 12 V / 28 Ah	3
V90803L	V90803L	V90803L-FM	see table 1 h / 3 h	Pb 12 V / 40 Ah	3
V90805L	V90805L	V90805L-FM	see table 1 h / 3 h	Pb 12 V / 55 Ah	3

## CONNECTION POWER

Order code	Operating time	Luminaire (1 x) / Luminaires (2 x) <sup>1</sup>	
		luminaire power	light flux factor
V90800L / V90800L-FM	1 h	1 x 20 W 2 x 10 W	max. 100 % <sup>2</sup>
V90800L / V90800L-FM	3 h	1 x 6 W 2 x 3 W	max. 100 % <sup>2</sup>
V90801L / V90801L-FM	1 h	1 x 60 W 2 x 30 W	max. 100 % <sup>2</sup>
V90801L / V90801L-FM	3 h	1 x 20 W 2 x 10 W	max. 100 % <sup>2</sup>
V90802L / V90802L-FM	1 h	1 x 100 W 2 x 50 W	max. 100 % <sup>2</sup>
V90802L / V90802L-FM	3 h	1 x 40 W 2 x 20 W	max. 100 % <sup>2</sup>
V90803L / V90803L-FM	1 h	1 x 120 W 2 x 60 W	max. 100 % <sup>2</sup>
V90803L / V90803L-FM	3 h	1 x 70 W 2 x 35 W	max. 100 % <sup>2</sup>
V90805L / V90805L-FM	1 h	1 x 120 W 2 x 60 W	max. 100 % <sup>2</sup>
V90805L / V90805L-FM	3 h	1 x 120 W 2 x 60 W	max. 100 % <sup>2</sup>

<sup>1</sup> The electronic control gears must be suitable for use in safety lightings according to DIN EN 50172. An operation of luminaires with dimmable electronic control gear (DALI) possible on request. The maximum inrush current resp. the maximum inrush duration may not exceed 60 A for 250 ms.

<sup>2</sup> Depending on electronic control gear and adjustment on NVG for output voltage in emergency and test operation, p.r.n. also smaller as 100 %.

<sup>3</sup> Depending on connected luminaires and adjustment on NVG for output voltage in emergency and test operation.

## INVERTER MODULE



Emergency supply module for operation of a luminaire with LED lamp and electronic control gear in reduced power during failure of the mains supply. Connection of the luminaire with change of the inner wiring. Variant with separate electronic and battery module as well as with separate signal LED.

Version for luminaire installation (without housing) and with additional accessories for luminaire attachment (with housing, IP65)

### MOUNTING TYPES



### TECHNICAL DATA

<b>Housing:</b>	Polycarbonate, white (RAL 9003) (luminaire installation) Polycarbonate grey (RAL 7035) (luminaire attachment)	<b>Type of protection:</b>	IP20 (luminaire installation) IP65 (luminaire attachment)
-----------------	--	----------------------------	--

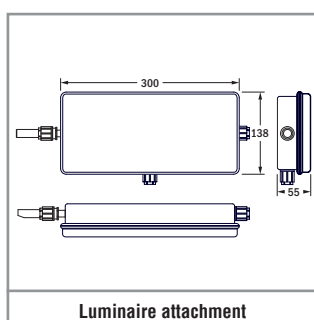
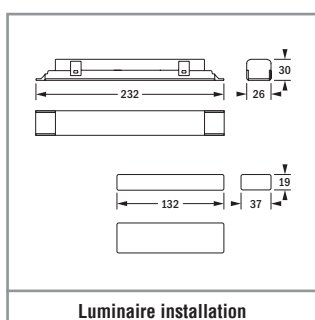


### SELF-CONTAINED SUPPLY

<b>Mains supply:</b>	230 V / 50 Hz
<b>Switching:</b>	Maintained (only with electronic control gear) and non-maintained
<b>Protection class:</b>	II
<b>Ambient temperature:</b>	Electronic: -20 °C to +60 °C Battery: 0 to +40 °C

### SUPPLY – LED LAMP

<b>Driver power (inverter):</b>	10 W for 1 h operating duration 3.3 W for 3 h operating duration 1.25 W for 8 h operating duration (adjustable over DIP switch on inverter)
<b>Driver current (inverter):</b>	max. 0.5 A
<b>Driver voltage (inverter):</b>	5 V to 55 V



Autotest Order code	Logica Order code	Logica FM Order code	1 h	3 h	8 h	
Luminaire installation <sup>1</sup>						
19391	19391	19391+19375	see formula	see formula	see formula	LIFE 12.8 V / 1.5 Ah

<sup>1</sup> Please order additional required accessories for luminaire attachment separately.

FORMULAS FOR CALCULATION OF THE LIGHT FLUX IN BATTERY OPERATION

Operating duration 1 h

light flux of LED lamp in mains operation [%] = 100 %  
 light flux of LED lamp in battery operation [lm] =

$$\text{light flux of LED lamp in mains operation [lm]} \times \frac{10 \text{ W}}{\text{power of LED lamp in mains operation [W]}}$$

Operating duration 3 h

light flux of LED lamp in mains operation [%] = 100 %  
 light flux of LED lamp in battery operation [lm] =

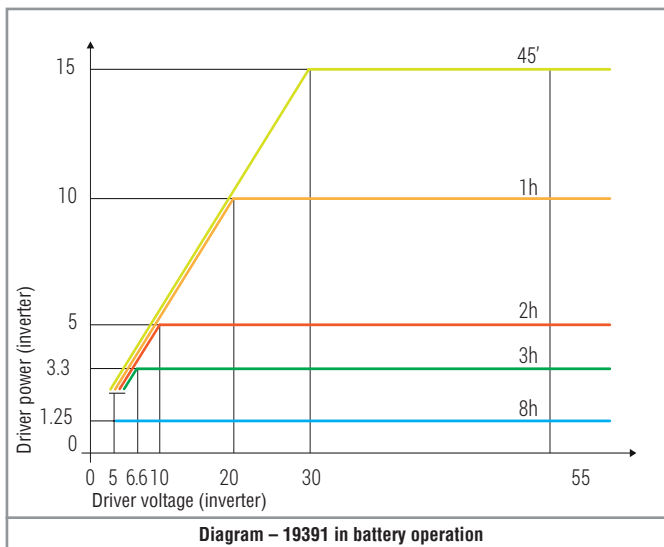
$$\text{light flux of LED lamp in mains operation [lm]} \times \frac{3.3 \text{ W}}{\text{power of LED lamp in mains operation [W]}}$$

Operating duration 8 h

light flux of LED lamp in mains operation [%] = 100 %  
 light flux of LED lamp in battery operation [lm] =

$$\text{light flux of LED lamp in mains operation [lm]} \times \frac{1.25 \text{ W}}{\text{power of LED lamp in mains operation [W]}}$$

Operating duration without subsidiary battery (RA08)	Driver power (inverter) without subsidiary battery (RA08)	Operating duration with subsidiary battery (RA08)
1 h	10 W	2 h
3 h	3.3 W	6 h
8 h	1.25 W	16 h



Please order accessories separately















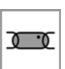





















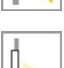
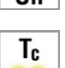


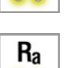
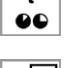
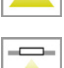

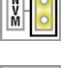

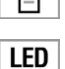

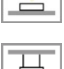
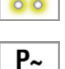


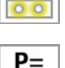


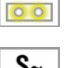


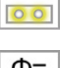


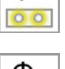

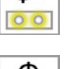



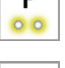




Order code	Description
RA08	Subsidiary battery LIFE 12.8 V / 1.5 Ah
19375	Logica FM interface
19376	Housing for luminaire attachment IP65

ORDER CODE	PAGE	ORDER CODE	PAGE	ORDER CODE	PAGE	ORDER CODE	PAGE	ORDER CODE	PAGE
2750	133	15044	74, 76, 77	16782	51	101, 102, 103		20109	48
3723	57, 91, 97, 98, 99, 101, 102, 103, 123	15049	61, 63, 74, 75, 77, 115	16783	51	18598	97, 98, 99, 101, 103	20122	115
3729	133	15056	97, 98, 99, 101, 102, 103	16784	51	18599	97, 99, 101, 103	20151	10, 32, 35
3730	133	15057	97, 98, 99,	16785	51			21102	10, 40, 43
3731	133		101, 102, 103	16786	51			21102-B	43
3912	91, 119, 123	15058	98, 99, 102, 103	16787	51	18741	101, 103	29000	119
3913	133			16917M	57	18751	101, 103	29001	57
4127	101, 102, 103	15059	97, 98, 99, 101, 102, 103	17223	44	18761	101	29002	57
4128	101, 102, 103			17452	114, 115	18771	101	31000	53
4129	101, 102, 103	15060	97, 98, 99, 101, 102, 103	17880	93, 94	18781	101	31001	53
4265	121			17881	93, 94	18821	97	31002	53
4315	91, 123	15078	103	17890	61	18831	97	31003	53
4316	91, 123	16233	121	17891	61	18841	97	31004	105
4317	91, 123	16234	121	17892	61	19040	119	31005	105
4319	97, 98, 99, 101, 102, 103	16235	121	17893	61	19041	118, 119	31006	105
		16236	121	17894	61	19044	119	31007	105
4384	63	16237	121	17895	61	19045	119	31008	105
4681	123	16302	45	17896	61	19048	119	31009	105
4682	123	16319	44	17897	61	19049	118, 119	31010	105
4683	91, 123	16321	45	17920	101	19059	119	31011	111
4685	91, 123	16732	65	17923	97	19064	115	31012	111
4686	91, 123	16733	65	17924	63	19296	116, 117, 118, 119	31013	111
4687	90, 91, 122, 123	16734	65	17925	63			31014	111
		16735	65	17926	63	19346N	67	31015	111
8380	133	16736	65	18580	97, 98, 99, 101, 102, 103	19370	75	31016	111
12100C	10, 36, 39	16737	65	18581	101, 102, 103	19375	93, 95, 115, 139	31017	111
12100C-B	39	16748	65	18582	101, 102, 103			31018	57
12131C	36, 39	16749	65	18583	101, 102, 103	19376	139	31019	57
12131C-B	39	16750	65	18584	103	19391	139	31020	109
12131C-S-B	39	16751	65	18585	97, 98, 99, 101, 102, 103	19433	116, 117, 118, 119	31021	109
12139	46	16752	65			19435	116, 117, 118, 119	31022	109
15015	73	16753	65	18586	97, 98, 99, 101, 102, 103	19470	122, 123	31023	109
15030	114, 115	16770	51			19471	89	31024	59
15032	114, 115	16771	51	18587	97, 98, 99, 101, 102, 103	19711	93, 94, 95	31025	127
15036	61, 63, 75, 77, 93, 95, 115, 117, 119	16772	51	18589	99, 103	19712	93, 94, 95	31026	127
		16773	51	18590	97, 98, 99, 101, 102, 103	19810	61	31027	127
		16774	51			19811	61	31028	127
15037	89, 91, 93, 95, 117, 119, 123	16775	51	18591	98, 99, 102, 103	19812	61	31029	127
		16776	51			19813	61	31030	127
		16777	51	18593	101, 102, 103	19880	60, 61	31031	79
15038	61, 63, 77, 91, 95, 115, 119, 123	16778	51	18594	101, 102, 103	19881	60, 61	31032	65
		16779	51	18595	101, 102, 103	19885	61	31033	65
		16780	51	18596	101, 102, 103	19886	61	31034	135
15043	74, 76, 77	16781	51	18597	97, 98, 99, 101, 102, 103	19887	95	31035	114, 115

ORDER CODE	PAGE	ORDER CODE	PAGE	ORDER CODE	PAGE	ORDER CODE	PAGE	ORDER CODE	PAGE
31054	114, 115	31102	82, 83	31215	71	32062	69	36004	53
31056	81	31103	131	32000	53	32063	69	36005	53
31057	81	31104	51	32001	53	32064	69	36006	53
31058	69	31105	51	32002	53	32065	71	36007	53
31059	68, 69	31106	51	32003	53	32066	71	36008	53
31060	69	31107	51	32004	105	32067	71	36009	53
31061	69	31108	51	32005	105	32068	71	36010	53
31062	69	31109	51	32006	105	32069	121	36011	53
31063	68, 69	31110	51	32007	105	32071	82, 83	36054	57
31064	69	31111	51	32008	105	32072	82, 83	36055	57
31065	69	31112	75	32009	105	32073	82, 83	36056	57
31066	69	31113	75	32010	105	32074	131	36057	57
31067	68, 69	31114	73	32011	111	32075	51	36058	57
31068	69	31115	73	32012	111	32076	51	36059	57
31069	69	31116	55	32013	111	32077	51	37000	53
31070	69	31117	55	32014	111	32078	51	37001	53
31071	68, 69	31118	55	32015	111	32079	51	37002	53
31072	69	31119	55	32016	111	32080	51	37003	53
31073	69	31122	116, 117	32017	111	32081	51	37004	53
31074	69	31124	116, 117	32018	57	32082	51	37005	53
31075	68, 69	31125	116, 117	32019	57	32083	75	37006	53
31076	69	31138	51	32020	109	32084	73	37007	53
31077	69	31139	51	32021	109	32085	55	37008	53
31078	69	31150	116, 117	32022	109	32086	55	37009	53
31079	68, 69	31154	125	32023	109	32087	55	37010	53
31080	69	31155	125	32024	59	32088	55	37011	53
31081	69	31162	87	32025	127	32091	116, 117	37012	105
31082	71	31163	85	32026	127	32092	114, 115	37013	105
31083	70, 71	31170	122, 123	32027	127	32094	116, 117	37014	105
31084	71	31171	122, 123	32028	127	32103	87	37015	105
31085	71	31172	89	32029	127	32104	85	37016	105
31086	71	31200	71	32030	127	32105	125	37017	105
31087	70, 71	31201	70, 71	32031	79	32106	125	37018	105
31088	71	31202	71	32036	65	32110	122, 123	37019	105
31089	71	31203	71	32037	65	32111	122, 123	37020	105
31090	71	31204	71	32038	65	32112	89	37021	105
31091	70, 71	31205	70, 71	32039	65	32113	51	37022	105
31092	71	31206	71	32040	65	32114	51	37023	105
31093	71	31207	71	32041	65	32120	71	37024	105
31094	71	31208	71	32042	135	32121	71	37025	105
31095	70, 71	31209	70, 71	32055	114, 115	32122	71	37026	105
31096	71	31210	71	32057	81	32123	71	37027	105
31097	71	31211	71	32058	81	36000	53	37028	105
31098	121	31212	71	32059	69	36001	53	37029	105
31100	82, 83	31213	70, 71	32060	69	36002	53	37030	105
31101	82, 83	31214	71	32061	69	36003	53	37031	105

ORDER CODE	PAGE	ORDER CODE	PAGE	ORDER CODE	PAGE	ORDER CODE	PAGE	ORDER CODE	PAGE
37032	105	37078	65	37130	71	37221	82, 83	37273	81
37033	111	37079	65	37131	71	37222	82, 83	37274	81
37034	111	37080	65	37132	51	37223	82, 83	37275	81
37035	111	37081	65	37133	51	37224	82, 83	E16029M	55
37036	111	37082	65	37134	51	37225	131	E16030M	55
37037	111	37083	65	37135	51	37226	131	E16031M	55
37038	111	37084	65	37136	51	37227	131	E16032M	55
37039	111	37085	65	37137	51	37230	71	E16040M-KIT-F65	119
37040	111	37086	65	37138	51	37231	71	E16041M-KIT-F65	119
37041	111	37087	135	37139	51	37232	71	E16042M-KIT-F65	119
37042	111	37088	135	37140	51	37233	71	E16043M-KIT-F65	119
37043	111	37089	135	37141	51	37234	71	E16045M-KIT-F65	119
37044	111	37093	116, 117, 118,	37142	51	37235	71	E16128M	53
37045	111		119	37143	51	37236	71	E16129M	53
37046	111	37094	116, 117, 118,	37144	51	37237	71	E16130M	53
37047	111		119	37145	51	37238	71	E16132M	53
37048	111	37095	116, 117, 118,	37146	51	37239	71	E16134M	107
37049	111		119	37147	51	37240	71	E16135M	107
37050	111	37102	69	37148	51	37241	71	E16136M	107
37051	111	37103	69	37149	51	37242	51	E16234	107
37052	111	37104	69	37150	51	37243	51	E16241	107, 125
37053	111	37105	69	37151	51	37244	51	E16242	107
37054	57	37106	69	37152	51	37245	85	E16251	107
37055	57	37107	69	37153	51	37246	85	E16260M	53
37056	57	37108	69	37154	51	37247	85	E16261M	53
37057	57	37109	69	37155	51	37250	69	E16262M	53
37058	57	37110	69	37165	87	37251	69	E16263M	53
37059	57	37111	69	37166	87	37252	69	E16310M	53
37060	109	37112	69	37167	87	37253	69	E16311M	53
37061	109	37113	69	37168	55	37254	69	E16312M	53
37062	109	37114	69	37169	55	37255	69	E16313M	53
37063	109	37115	69	37170	55	37256	69	E16318M	53
37064	109	37116	69	37171	55	37257	69	E16319M	53
37065	109	37117	69	37172	55	37258	69	E16320M	53
37066	109	37118	69	37173	55	37259	69	E16321M	53
37067	109	37119	69	37174	55	37260	69	E16435	53
37068	109	37120	71	37175	55	37261	69	E16436	53
37069	109	37121	71	37176	55	37262	69	E16437	53
37070	109	37122	71	37177	55	37263	69	E16442	113
37071	109	37123	71	37178	55	37264	69	E16443	113
37072	59	37124	71	37179	55	37265	69	E16444	113
37073	59	37125	71	37180	51	37266	69	E16604M	107
37074	59	37126	71	37181	51	37267	69	E16605M	107
37075	65	37127	71	37182	51	37270	81	E16606M	107
37076	65	37128	71	37219	82, 83	37271	81	E16607	107
37077	65	37129	71	37220	82, 83	37272	81	E16608M	107, 125

ORDER CODE	PAGE	ORDER CODE	PAGE	ORDER CODE	PAGE	ORDER CODE	PAGE	ORDER CODE	PAGE
E16609M	107, 125	E16735M	113	F95109PR	129	F95815	67, 135	V90800L-FM	136, 137
E16610M	107, 125	E16736M	113	F95109PS	129	F95816	67	V90801L	136, 137
E16611	107, 125	E16788M	109	F95210	59	F95930	67	V90801L-FM	136, 137
E16616M	107	E16789M	109	F95400	59, 107, 125	F95931	67	V90802L	136, 137
E16617M	107, 125	E16910M	131	F95401	107, 119, 125	F95940	81	V90802L-FM	136, 137
E16618M	107	E16911M	131	F95406	59	F95941	81	V90803L	136, 137
E16620M	107	E16912M	131	F95506	57	F95942	119	V90803L-FM	136, 137
E16621M	107	E16913M	131	F95510	57	F95943	119	V90805L	136, 137
E16622M	107	E16914M	131	F95511	57	F95944	51	V90805L-FM	136, 137
E16623M	107	E16915M	131	F95512	57	F95945	53		
E16640M	107, 125	E16916M	131	F95600	59, 107, 119,	F95946	53		
E16641M	107, 125	E16917M	131		125	F95947	52, 53		
E16642M	107, 125	F15325M	59	F95601	59, 107, 119,	F95948	52, 53		
E16643M	107, 125	F15326M	59		125	F95949	53		
E16645M	107	F15327M	59	F95602	59, 107, 119,	F95950	53		
E16646M	107	F15328M	59		125	F95951	53		
E16647M	107	F15329M	59	F95603	109	F95952	53		
E16648M	107	F15330M	59	F95604	109	F95953	53		
E16700M	109	F15331M	59	F95605	109	F95954	52, 53		
E16701M	109	F15332M	59	F95606	109	F95955	52, 53		
E16708M	109	F15337ML	129	F95607	109	F95956	53		
E16709M	109	F15337MLO	129	F95608	109	F95957	53		
E16710M	113	F15337MLU	129	F95609	109	F95958	53		
E16711M	113	F15337MO	129	F95610	109	F95959	53		
E16712M	113	F15337MR	129	F95611	109	F95960	53		
E16713	113	F15337MRO	129	F95612	109	F95961	119		
E16714	113	F15337MRU	129	F95613	109	F95962	51		
E16715M	113	F15337MU	129	F95700	57	F95963	51		
E16716M	113	F15338ML	129	F95714	113	F95966	67		
E16717M	113	F15338MLO	129	F95717	113	G31305	44		
E16718	113	F15338MLU	129	F95718	113	NUBE01	49		
E16719	113	F15338MO	129	F95719	113	NUBE02	49		
E16720M	113	F15338MR	129	F95720	113	NUBE03	49		
E16721M	113	F15338MRO	129	F95721	113	NUBE04	49		
E16722M	113	F15338MRU	129	F95722	113	NUBE05	49		
E16723	113	F15338MU	129	F95723	113	NUBE06	49		
E16724	113	F94001	54, 55	F95724	113	NUBE07	49		
E16725M	113	F94002	54, 55	F95729	113	NUBE08	49		
E16726M	113	F95032K	57, 107, 125	F95803	67	NUBE09	49		
E16727M	113	F95055	107	F95804	67	NUBE10	49		
E16728M	113	F95056	107, 125	F95807	67, 135	R2436SA	116, 117, 118,		
E16729M	113	F95057	107, 119, 125	F95808	67, 135		119		
E16730M	113	F95067	107, 119, 125	F95811	67	RA06	119		
E16731M	113	F95070	107	F95812	67	RA08	139		
E16733M	113	F95109P	129	F95813	67	RA11	103		
E16734M	113	F95109PK	129	F95814	67	V90800L	136, 137		

	Escape sign luminaire surface wall mounting		Combined escape sign and safety luminaire wire pendulum		Version in V2A
	Escape sign luminaire recessed wall mounting		Combined escape sign and safety luminaire tubular pendulum (round)		Use in combination with electronic control gear possible
	Escape sign luminaire surface ceiling mounting		Combined escape sign and safety luminaire tubular pendulum / short pendulum (angular)		Use in combination with conventional control gear possible
	Escape sign luminaire recessed ceiling mounting		Combined escape sign and safety luminaire bracket		Use of LED lamps with suitable control gear possible
	Escape sign luminaire wire pendulum		Combined escape sign and safety luminaire chain / wire, must be provided on site		Use of low-pressure discharge lamps with suitable control gear possible
	Escape sign luminaire tubular pendulum (round)		Dynamic luminous marker recessed wall mounting		Use of incandescent lamps possible
	Escape sign luminaire tubular pendulum / short pendulum (angular)		Dynamic luminous marker recessed floor mounting		Suitable for use in food industry according to IFS-Food
	Escape sign luminaire bracket		Escape sign luminaire viewing distance		Suitable for use in sport sites
	Escape sign luminaire chain / wire, must be provided on site		Safety luminaire mounting distance and mounting height		Luminaire or parts of luminaire overpaintable with paint
	Safety luminaire for escape route illumination		High resistance against UV radiation		Subsidiary battery available as accessory
	Safety luminaire surface wall mounting		Explosion protection		Exchange battery with battery heater available as accessory
	Safety luminaire recessed wall mounting		Extreme resistance against chemical stress		Operating time 1 h / 3 h / 8 h
	Safety luminaire recessed step mounting		Color temperature		Operating time 1 h / 3 h
	Safety luminaire surface ceiling mounting		Color reproduction		External emergency light supply module
	Safety luminaire recessed ceiling mounting		Battery		Internal emergency light supply module
	Safety luminaire surface floor mounting		LED quantity		Emergency light supply device surface wall mounting
	Safety luminaire wire pendulum		Luminaire power in mains operation (AC), active power		Luminaire module luminaire installation
	Safety luminaire tubular pendulum (round)		Luminaire power in battery operation (DC)		Mobile radio interface (LTE) integrated
	Safety luminaire tubular pendulum / short pendulum (angular)		Luminaire power in mains operation (AC), apparent power		Bluetooth® interface integrated
	Safety luminaire bollard		Luminaire light flux in battery operation (DC)		Optic interface (light sensor) integrated
	Safety luminaire bracket		Luminaire light flux in mains operation (AC)		
	Safety sign luminaire surface wall mounting		Light flux factor		
	Safety luminaire chain / wire, must be provided on site		Lamp power		
	Combined escape sign and safety luminaire surface wall mounting		Lamp light flux in battery operation (DC)		
	Combined escape sign and safety luminaire surface ceiling mounting		Type of protection IP		
	Combined escape sign and safety luminaire recessed ceiling mounting		Impact resistance IK		





10 years guarantee for batteries  
in the variant LIFE



5 years guarantee for batteries  
in the variant LIFE ECO



Possibility for read-out  
of QR codes per camera



Possibility for sending  
of commands per camera flashlight



Possibility for configuration  
of equipment from the  
SanificaAria series



App B.connect



Cloud NuBe

## Abbreviations

ESL	Escape sign luminaire
SSL	Safety sign luminaire
SL	Safety luminaire
VD	Viewing distance
S230	Sicuro230 (central supply system)
S24	Sicuro24 (decentral supply system)
LTO	Lithium-Titanate-Oxide (resp. Lithium-Ion-Titanium battery)
LIFE	Lithium-Ferro-Phosphate (resp. Lithium-Ferrum battery)
Pb	Lead (resp. Lead battery)
AT	Autotest
CC	CableCom
LG	Logica
FM	Logica FM
EÜ	Single monitoring
SÜ	Circuit monitoring
WAN	Wide Area Network (interregional network or internet)
LAN	Local Area Network (regional network)
WLAN	Wireless Local Area Network (wireless regional network)
WLAN-AP	Wireless Local Area Network - Access Point (wireless regional network with own access point for direct access)
WLAN-STA	Wireless Local Area Network - Station (wireless regional network for indirect access over a station)
n.a.	not applicable
alt.	alternative
f. i.	for instance

















**Disclaimer**

The technical content corresponds to the status at the time of printing the catalogue. Subject to change. Please request information from your internal sales team or field sales. We cannot assume any liability for typesetting errors and color deviations.

**Dated: June 2024**

**Guarantee conditions**

The guarantee conditions for our products can be found in the download area on our homepage.

Visit us on: [www.beghelli.de](http://www.beghelli.de)



Homepage



**Beghelli PRÄZISA Deutschland GmbH** – Lanterstraße 34 – D-46539 Dinslaken  
Telephone +49 (0)2064 9701-0 – Fax +49 (0)2064 9701-99 – [www.beghelli.de](http://www.beghelli.de)