

## PIANA LED

Escape sign luminaire with angular housing, frame display and light guide panel. 1- or 2-sided escape route indication through exchangeable escape sign foils.

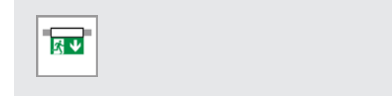
Versions for surface wall and ceiling mounting and wire pendulum and with additional accessories for recessed ceiling mounting



### MOUNTING TYPES



### MOUNTING TYPES WITH ACCESSORIES



### TECHNICAL DATA

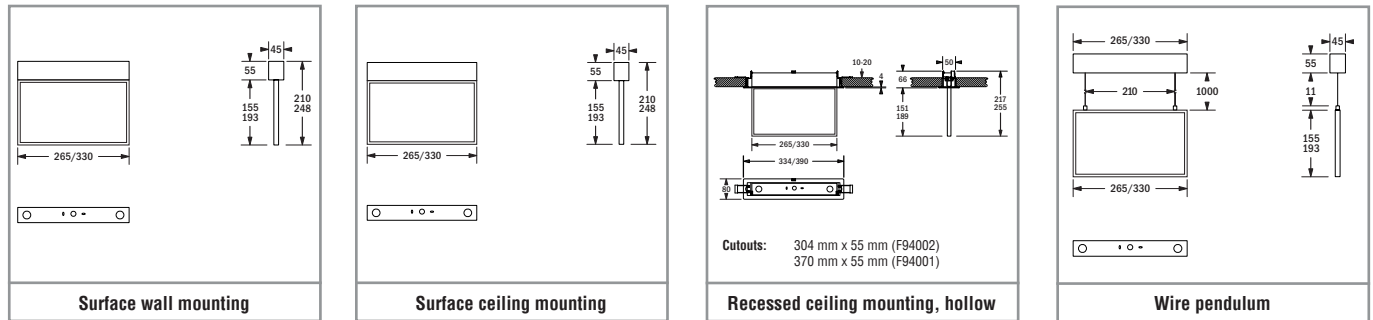
**Housing:** ABS, white (RAL 9003)  
**Frame:** ABS, white (RAL 9003)  
**Display pane:** PMMA (display pane)  
 Polycarbonate (foil, printed)

**Service life  $L_{80} B_{50}$ :** 50.000 h  
**Color stability:** 3 SDCM  
**Color temperature:** 5.700 K  
**Color rendering index:** 80

**Mains supply:** 198 V – 254 V / 50 Hz  
**Switching:** Maintained and non-maintained  
**Ambient temperature:** 0 °C to +40 °C  
**Protection class:** II

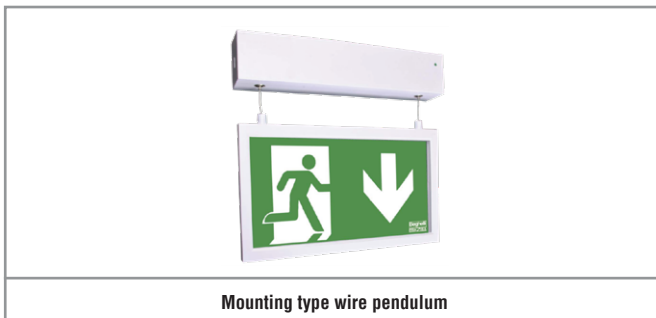


### SELF-CONTAINED SUPPLY



### CLASSIC SELF-CONTAINED SUPPLY

Autotest Order code					
Surface wall mounting (1-sided escape route indication), surface ceiling mounting (2-sided escape route indication) <sup>1</sup>					
<b>N94120AT</b>	24 m	14	3 h	LIFE 6.4 V / 0.6 Ah	6 VA
<b>N94130AT</b>	30 m	28	3 h	LIFE 6.4 V / 1.2 Ah	7,5 VA
Wire pendulum (2-sided escape route indication) <sup>1</sup>					
<b>N94121AT</b>	24 m	14	3 h	LIFE 6.4 V / 0.6 Ah	6 VA
<b>N94131AT</b>	30 m	28	3 h	LIFE 6.4 V / 1.2 Ah	7,5 VA



Included in scope of delivery	
Order code	Description
VD 25 m    VD 30 m	
-            -	Set of escape sign foils

#### Please order accessories separately

Order code	Description
VD 24 m    VD 30 m	
F94002    F94001	Recessed mounting set for hollow ceilings

#### Please order escape sign accessories separately

Order code	Description
VD 24 m    VD 30 m	
-            E16030M	Set of escape sign foils
E16029M    -	Set of escape sign foils
E16031M    -	Escape sign foil
-            E16032M	Escape sign foil