




Downlight Compact LED

downlight



- IP42
- IK05
- ∧ 650°
-
- 🌡️ +40°C
-20°C

-  Downlight with high luminous flux up to 2700lm, with diffusing beam and integrated SELV driver.
-  Built-in installation with a particularly wide range.
-  Fixing springs on plasterboard and quick connection terminal block.

Application

Residential, tertiary, retail, offices, schools

Characteristics

Power supply 230 Vac, 50÷60 Hz

Luminous flux maintenance a 25°C
>30.000h (L80B20)

Color stability 3 SDCM

Installation Recessed

Body Polycarbonate

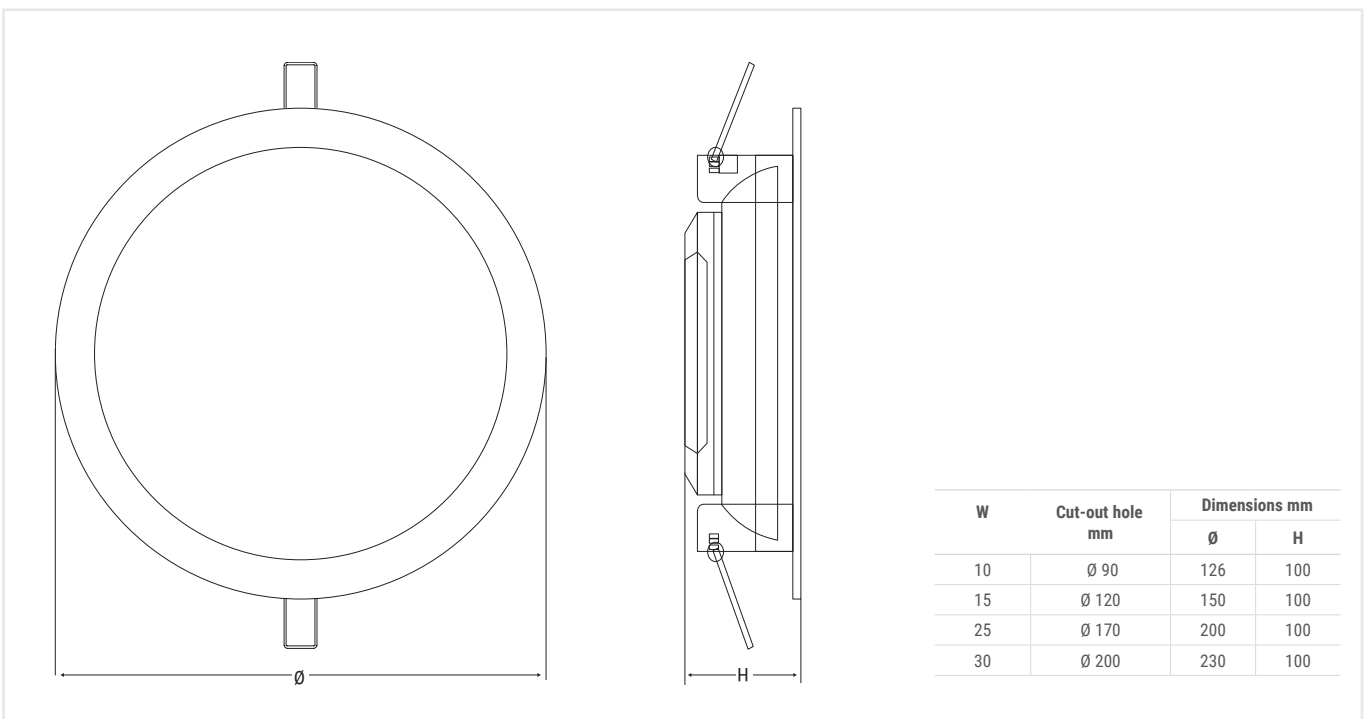
Optics Diffusing, symmetrical

Screen Polycarbonate with opal finish

Color White

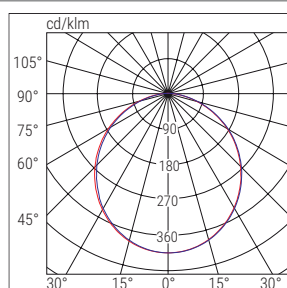
Standards EN60598-1, EN60598-2-2, EN 62471

40



W	Cut-out hole mm	Dimensions mm	
		Ø	H
10	Ø 90	126	100
15	Ø 120	150	100
25	Ø 170	200	100
30	Ø 200	230	100

DOWNLIGHT COMPACT LED



■ C0-C180 ■ C90-C270

	Order code	Description	Power W	Color temp. K	CRI	Lumin. flux LED lm (Tj=25°C)	Lumin. flux of luminaire lm	lm/W	Weight Kg	Package Sing/Mult.
ON-OFF	71052	DWL LED 10W 3K	10	3000	≥80	1350	900	90	0.14	1/12
	71054	DWL LED 15W 3K	15	3000	≥80	1800	1350	90	0.20	1/12
	71056	DWL LED 25W 3K	25	3000	≥80	3150	2250	90	0.33	1/12
	71058	DWL LED 30W 3K	30	3000	≥80	3600	2700	90	0.48	1/6
	71053	DWL LED 10W 4K	10	4000	≥80	1350	900	90	0.14	1/12
	71055	DWL LED 15W 4K	15	4000	≥80	1800	1350	90	0.20	1/12
	71057	DWL LED 25W 4K	25	4000	≥80	3150	2250	90	0.33	1/12
	71059	DWL LED 30W 4K	30	4000	≥80	3600	2700	90	0.48	1/6

