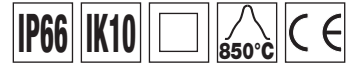


# Full Moon



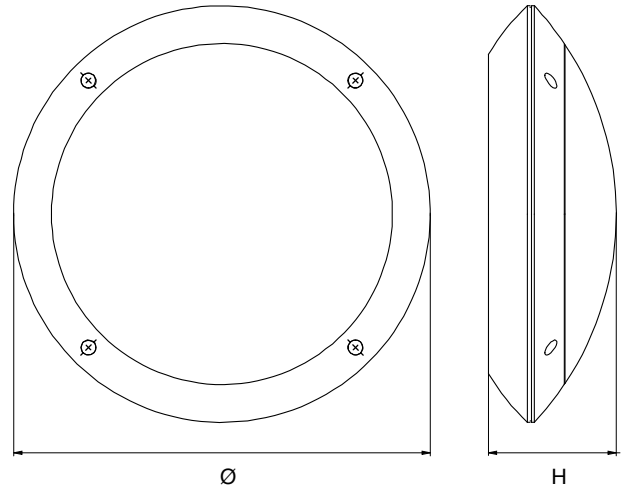
Indoor and outdoor ceiling and wall installation fixture, excellent where a bright and diffused lighting is needed. Perfect to light stairs, building entrances, corridors in shopping malls, shops, hotels and restaurants. Full moon can be equipped with incandescent (max 75W), CFL and LED light sources with E27 socket.



## GENERAL SPECIFICATION

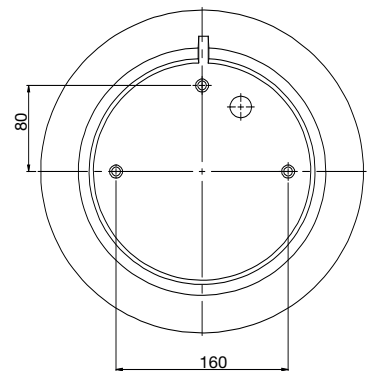
- Supply** 220/240 VAC - 50/60 Hz
- Conformity to** EN60598-1; EN60598-2-1
- Protection degree** IP66
- Ambient temp.** -20°C +40°C \*
- Mounting** Surface, wall
- Body** Polycarbonate UV resistant and self estinguishing
- Colour** grey (RAL 9006), black (9011)
- Screen** Opal, polycarbonate UV resistant and self estinguishing

\* Ambient temperature range is related to the type of light source used. The published range refers to Beghelli ECOLED lamps.



• Dimension (mm) •		Socket	Weight kg
Ø	H		
300	90	E27	0,8

## Installation holes



## Full Moon

	Part #	Description	EAN code	Colour	Socket	Packaging single/multi
MAX 75	<b>75300</b>	WL FM E27 BLACK	8002219503541	Black	E27	1/8
MAX 75	<b>75400</b>	WL FM E27 GREY	8002219503596	Grey	E27	1/8

## Suggested Beghelli E27 lamps

Watt	Part #	Type	Colour temp. K	Flux lm	Watt	Part #	Type	Colour temp. K	Flux lm
11	56300	SORPRESA LED	3000	1055	20	50221	CFL	6500	1250
	56301	SORPRESA LED	4000	1055		50308	CFL	6500	1400
	56003	LED	3000	1055		50703	CFL	2700	1230
	56004	LED	4000	1055		50803	CFL	2700	1600
12	56933	LED	3000	1200	23	50713	CFL	4000	1230
	56934	LED	4000	1200		50813	CFL	4000	1600
20	50702	CFL	2700	1250		50723	CFL	6500	1230
	50802	CFL	2700	1400		50823	CFL	6500	1600
	50203	CFL	2700	1250		25	50204	CFL	2700
	50302	CFL	2700	1400	50309		CFL	2700	1600
	50712	CFL	4000	1250	50213		CFL	4000	1230
	50812	CFL	4000	1400	50310		CFL	4000	1600
	50212	CFL	4000	1250	50222		CFL	6500	1230
	50305	CFL	4000	1400	50311		CFL	6500	1600
	50722	CFL	6500	1250	70	54904	HALOGREEN	2700	1175
	50822	CFL	6500	1400					

SORPRESA LED = Anti Black-Out: the LED lamp that switches on automatically in case of mains power interruption

CFL = Compact Fluorescent Lamp - HALOGREEN = High efficiency halogen lamp

