




UpLED Bandiera IP65

emergency



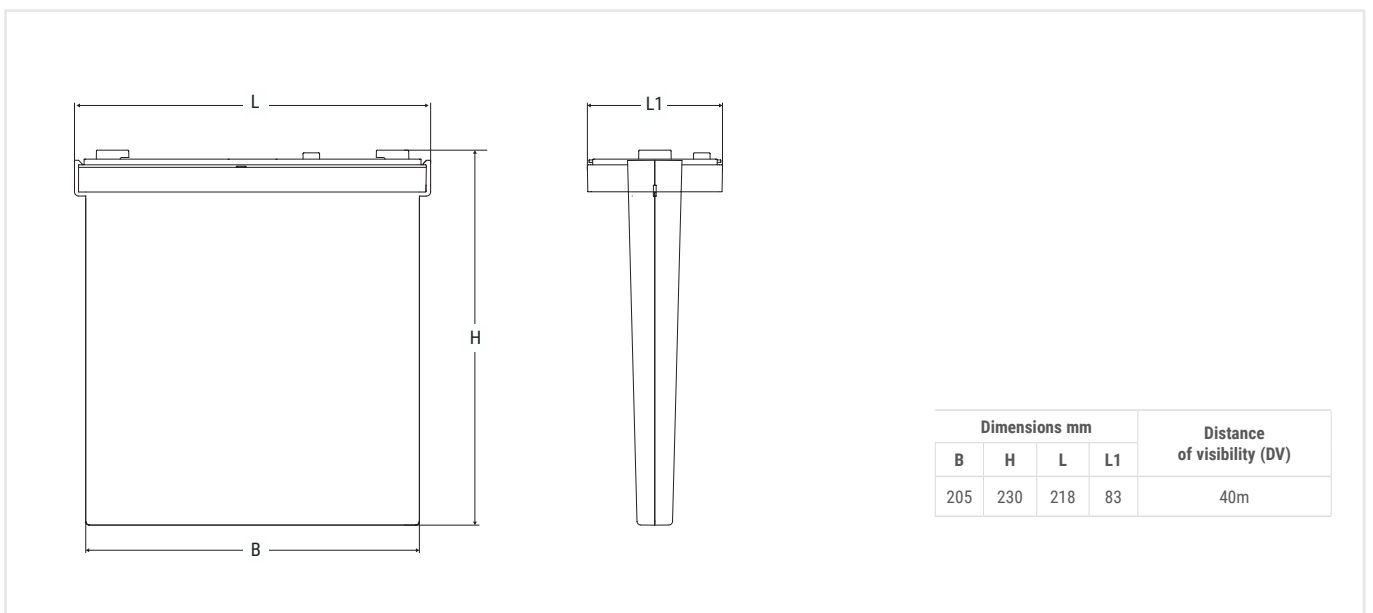
-  IP65 flag with a 40m visibility distance.
-  Wall or ceiling mounting and accessories for special mounting, such as the three-phase track kit.
-  Quick installation with IP65 accessories with snap-on fixing of the flag screen without the need for tools.

Applications

Industry, services, hospitals, schools, retail where a high visibility distance is required


Characteristics

- Power supply** 230VAC \pm 10%, 50÷60Hz
- Mounting** Wall, ceiling, three-phase track
- Housing** Polycarbonate, white RAL 9003
- Screen** Opal polycarbonate
- Compliance** EN 60598-1, EN 60598-2-22, UNI EN 1838, UNI 11222, EN 62034



Dimensions mm				Distance of visibility (DV)
B	H	L	L1	
205	230	218	83	40m

090

	Order Code	W	Description	Version	Autonomy h	Lum. flux. SE lm	Input power		Note
							DC	AC	
TR	824BA		UPLED BAND 824BA SA IP65 1.5	SE/SA	1.5	40m		2.3W	
AT	4326BA		UPLED BAND IP65 AT SA	SE/SA	1/1.5/2/3/8	40m		2.9W	
CT	4372BA		UPLED BAND IP65 CT SA	SE/SA	1/1.5/2/3/8	40m		2.9W	

CT devices can be integrated with other optional devices for extension to other systems: LG module code 15036 - LGFM module code 15037 - DALI module code 15038.

ACCESSORIES - included

	CONNECTION FITTING IP65 AND 2 IP65 REAR SPACERS		CABLE GLAND MEMBRANE M16 IP65
	LH/RH/BOTTOM/TOP STICKERS		

ACCESSORIES - to be ordered separately

	THREE-PHASE TRACK KIT Order Code 4319		RM INIBIT REMOTE CONTROL Only for TR versions with RM module Order Code 2730	RM
	MODULE RM Rest Mode Order Code 15048		MODULES LG – LGFM – DALI LG – Order Code 15036 LGFM – Order Code 15037 DALI – Order Code 15038	LG LGFM DALI

