

# X-Six DWL CCT adjustable

downlight



Downlight with high luminous flux up to 2,000lm, with diffusing beam and integrated driver.



Both recessed and ceiling mounted installation. Color temperature adjustment system in 3 steps possible by switch.



Bracket with sliding springs for adaptation of the connection diameter to any pre-existing holes. Quick connection terminal block.

## Application

Tertiary, residential, retail, offices, schools. Not suitable for intensive use.

## Characteristics

**Power supply** 220÷240 Vac, 50÷60 Hz

**Luminous flux maintenance at 25°C** >30.000h (L80B20)

**Color stability** 3 SDCM

**Installation** Recessed, surfaced

**Body** Polycarbonate

**Optics** Diffusing, symmetrical

**Screen** Polycarbonate with opal finish

**Color** White

**Standards** EN60598-1, EN60598-2-2, EN 62471

IP20

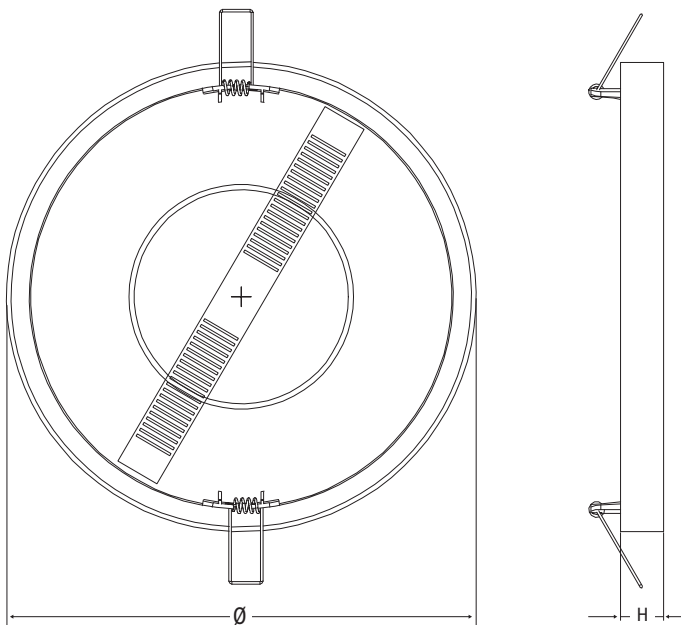
IK05

650°



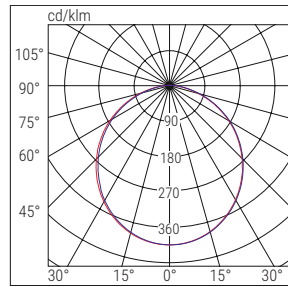
+40°C  
-20°C

CCT



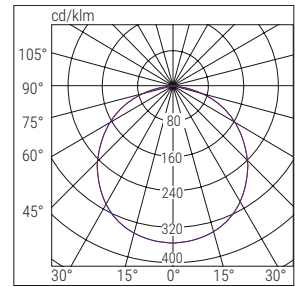
W	Cut-out hole mm	Dimensions mm	
		Ø	H
18	Ø 65÷210	225	20
24	Ø 65÷310	330	20

## X-SIX DWL CCT ADJUSTABLE 18W



■ C0-C180      ■ C90-C270

## X-SIX DWL CCT ADJUSTABLE 24W



■ C0-C180      ■ C90-C270



### REAR BRACKET WITH ADJUSTABLE FIXING DIAMETER

This luminaire is equipped with an installation system that allows you to use existing holes or optimize the installer's drilling tools. A removable rear bracket equipped with a series of pre-set positions to adapt the position of the fixing springs to a series of different diameters: the 18W version can be installed on any hole between 65 and 210mm the 24W version can be installed on any hole between between 65 and 310mm

	Order code	Description	Power W	Color temp. K	CRI	Lumin. flux LED lm (Tj=25°C)	Lumin. flux of luminaire lm	lm/W	Weight Kg	Package Sing/Mult.
CCT	71062	X-SIX DWL LED CCT REG 18W	18	CCT 3000-4000-6000	>80	2000	1440	80	0.4	1/20
	71063	X-SIX DWL LED CCT REG 24W	24	CCT 3000-4000-6000	>80	2500	1920	80	0.8	1/10