

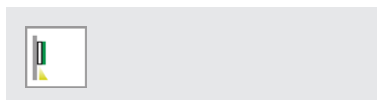


KUBUS M

Combined escape sign and safety luminaire. Housing made of flat sheet steel profiles and angular contours. 1 or 2-sided escape route indication through exchangeable panes. Additional high-power LED with light guidance through special lenses for asymmetrical light distribution (illumination of escape routes with 1 lx) or for symmetrical light distribution (illumination of areas with 0.5 lx).

Versions for surface wall mounting and with additional accessories for pendulum, bracket and chain/wire

MOUNTING TYPES



MOUNTING TYPES WITH ACCESSORIES



TECHNICAL DATA

Housing:	Sheet steel, white (RAL 9003)	Color stability:	3 SDCM
Pane:	PMMA, printed	Color temperature:	4.000 K (ESL & SL)
Lens:	PMMA, transparent	Color rendering index:	80 (ESL) 70 (SL)
Service life L₈₀B₂₀:	50.000 h		



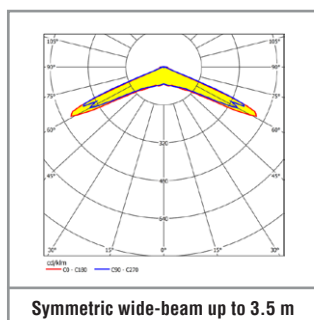
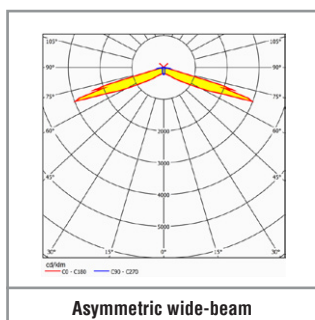
DECENTRAL SUPPLY

Mains supply:	24 V +/- 20 % DC
Battery supply:	24 V +/- 20 % DC
Ambient temperature:	-20 °C to +40 °C
Protection class:	III

CENTRAL SUPPLY

Mains supply:	198 V – 254 V / 50 Hz
Battery supply:	176 V – 276 V
Ambient temperature:	-20 °C to +40 °C
Protection class:	I
Mains supply (alt.):	90 V – 254 V / 50/60 Hz
Battery supply (alt.):	90 V – 276 V

Variant		Area 3.5 m	Escape route
Sicuro24 / Sicuro230 – partial component: safety luminaire	361 lm		330 lm



Sicuro24 Order code				
------------------------	--	--	--	--

Sicuro230 Order code					
-------------------------	--	--	--	--	--

Surface wall mounting with 2 changeable lenses
(1-sided escape route indication / illumination)²

Surface wall mounting with 2 changeable lenses
(1-sided escape route indication / illumination)²

32105	34 m	48 + 1	Escape route 330 lm	8.1 W
			Area 3.5m 361 lm	

31154	34 m	48 + 1	Escape route 330 lm	17.7 VA / 8.8 W
			Area 3.5m 361 lm	

Pendulum mounting adaptor with 2 changeable lenses
(2-sided escape route indication / illumination)^{1,2}

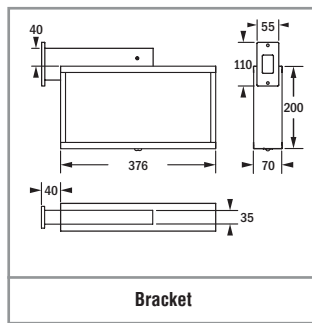
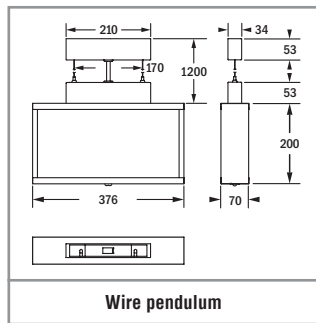
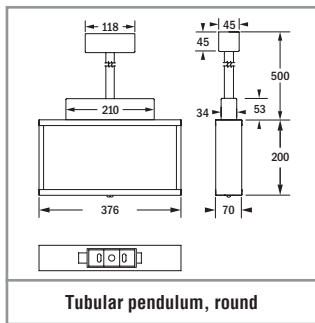
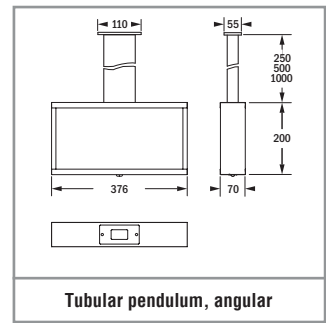
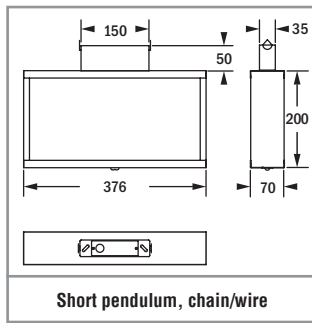
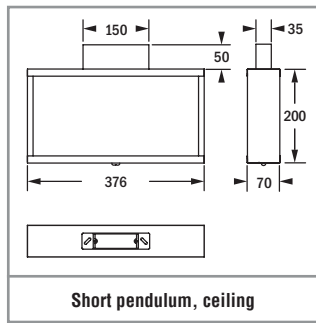
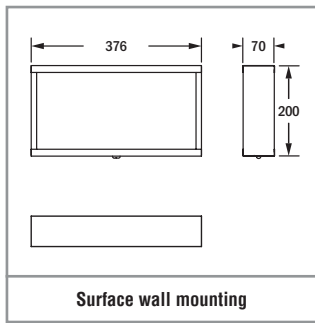
Pendulum mounting adaptor with 2 changeable lenses
(2-sided escape route indication / illumination)^{1,2}

32106	34 m	48 + 1	Escape route 330 lm	8.1 W
			Area 3.5m 361 lm	

31155	34 m	48 + 1	Escape route 330 lm	17.7 VA / 8.8 W
			Area 3.5m 361 lm	

¹ Please order additional required accessoires for pendulum, bracket and chain/wire separately. Luminaires with pendulum mounting adaptor are needed for all types of pendulums as well as the bracket.

² Luminaire is equipped with 2 separate monitoring and control modules. The operating modes of the two monitoring and control modules for illumination of the escape sign resp. the escape signs and the escape routes resp. areas are separately configurable.



Included in scope of delivery	
Order code	Description
-	Symmetrical wide-beam lens for mounting height 3.5 m
-	Asymmetrical wide-beam lens

Please order escape sign accessories separately	
Order code	Description
E16608M	Escape sign pane
E16609M	Escape sign pane
E16610M	Escape sign pane
E16617M	Escape sign pane
E16640M	Escape sign pane
E16642M	Escape sign pane
E16641M	Escape sign pane
E16643M	Escape sign pane
E16611	Pane, opal, PMMA
E16241	Pane, white, sheet steel

Please order accessories separately	
Order code	Description
F95057	Short pendulum for ceiling mounting
F95600	Tubular pendulum, angular, 250 mm
F95601	Tubular pendulum, angular, 500 mm
F95602	Tubular pendulum, angular, 1.000 mm
F95400	Tubular pendulum, round, 500 mm
F95401	Wire pendulum, max. 1.200 mm
F95056	Bracket
F95067	Short pendulum for chain mounting and wire mounting
F95032K	Protective basket (only for surface wall mounting without pendulum, bracket)