



## PRATICA MODULA MATRIX

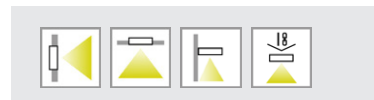
**Multifunctional safety luminaire with high type of protection and high impact resistance.** Housing with angular contours and clear polycarbonate cover. The light distribution takes place variable through desired setting of a LED matrix (in 4 LED groups), which is equipped with special lenses. Overall 4 light distributions are at choice for 5 different applications: escape route illumination for wall mounting / area illumination for wall mounting / escape route illumination for ceiling mounting / area illumination for ceiling mounting / deep-beam area illumination for ceiling mounting. Change of light distribution, without exchange of LED illuminants and without adaptation of LED lenses, directly over a button manually on the luminaire or by programming. Installation through novel mounting adapter with integrated water level, which can also be used as junction box for all incoming and outgoing cables. The mounting adapter is only used for the connection to an integrated plug fixture as well as for accommodation of optional accessories. The actual luminaire can consequently be configured and (in battery operation) programmed comfortable on a work surface and only needs finally to be latched onto the mounting adapter with the integrated plug fixture.

Versions for surface wall and ceiling mounting and with additional accessories for recessed wall and ceiling mounting, bracket and chain/wire

### MOUNTING TYPES



### MOUNTING TYPES WITH ACCESSORIES



### TECHNICAL DATA

|   |   |
|---|---|
| <b>Housing:</b>                                   | Polycarbonate, white (RAL 9003)             |
| <b>Cover:</b>                                     | Polycarbonate, transparent                  |
| <b>Reflector:</b>                                 | Polycarbonate, white (RAL 9003)             |
| <b>Type of protection:</b>                        | see table regarding type of protection (IP) |
| <b>Service life L<sub>80</sub>B<sub>20</sub>:</b> | 50.000 h                                    |
| <b>Color stability:</b>                           | 3 SDCM                                      |

|                               |         |
|-------------------------------|---------|
| <b>Color temperature:</b>     | 4.000 K |
| <b>Color rendering index:</b> | 80      |
| <b>Bluetooth interface:</b>   | LIFE    |



**Commissioning:** For Autotest, operating duration 8h, operating mode PS, monitoring group and test duration are only programmable per app B.connect over smartphone locally on luminaire.

### SELF-CONTAINED SUPPLY

|                             |                               |
|-----------------------------|-------------------------------|
| <b>Mains supply:</b>        | 198 V – 254 V/50 Hz           |
| <b>Switching:</b>           | Maintained and non-maintained |
| <b>Ambient temperature:</b> | 0 °C to +40 °C                |
| <b>Protection class:</b>    | II                            |

### DECENTRAL SUPPLY

|                             |   |
|-----------------------------|---|
| <b>Mains supply:</b>        | 24 V +/- 20 % DC  |
| <b>Battery supply:</b>      | 24 V +/- 20 % DC  |
| <b>Ambient temperature:</b> | -20 °C to +40 °C  |
| <b>Protection class:</b>    | III with connection only to low voltage,<br>II with additional connection to voltages above low voltage |

### CENTRAL SUPPLY

|                             |                     |
|-----------------------------|---------------------|
| <b>Mains supply:</b>        | 198 V – 254 V/50 Hz |
| <b>Battery supply:</b>      | 176 V – 276 V       |
| <b>Ambient temperature:</b> | -20 °C to +40 °C    |
| <b>Protection class:</b>    | II                  |

#### Variant

#### LIFE

Sicuro24 / Sicuro230



250 lm

1.500 lm

### FORMULAS FOR CALCULATION OF THE RESPECTABLE LIGHT FLUX IN MAINS AND BATTERY OPERATION

Ideational light flux of luminaire in mains operation [%] = 100 %

Respectable light flux of luminaire in mains operation [lm] =

$$\text{Respectable light flux of luminaire in mains operation [lm]} \times \frac{\text{Ideational light flux of luminaire in mains operation [lm]}}{100\%}$$

Ideational light flux of luminaire in battery operation [%] = 100 %

Respectable light flux of luminaire in battery operation [lm] =

$$\text{Respectable light flux of luminaire in battery operation [lm]} \times \frac{\text{Ideational light flux of luminaire in battery operation [lm]}}{100\%}$$

| Autotest / CableCom Order code  | Logica Order code        | Logica FM Order code     | LED | $\Phi=$ 3 1 h | $\Phi=$ 3 3 h | $\Phi=$ 3 8 h |                        | S~      |
|---|--------------------------|--------------------------|-----|---------------|---------------|---------------|------------------------|---------|
| Surface wall mounting, surface ceiling mounting for escape route and area illumination with adjustable / programmable LED matrix <sup>1</sup> |                          |                          |     |               |               |               |                        |         |
| 18821   | 18821+15056 <sup>2</sup> | 18821+15057 <sup>2</sup> | 24  | 1.000 lm      | 350 lm        | 125 lm        | LIFE 6.4 V / 1.5 Ah    | 14.9 VA |
| 18831   | 18831+15056 <sup>2</sup> | 18831+15057 <sup>2</sup> | 24  | 2.000 lm      | 700 lm        | 250 lm        | 2x LIFE 6.4 V / 1.5 Ah | 16.9 VA |
| 18841   | 18841+15056 <sup>2</sup> | 18841+15057 <sup>2</sup> | 24  | 2.700 lm      | 1.000 lm      | 400 lm        | 2x LIFE 6.4 V / 2 Ah   | 20.5 VA |

**SICURO** DECENTRAL SUPPLY

| Sicuro24 Order code   | LED | $\Phi=$ 3 | P=   |
|---|-----|-----------|------|
| Surface wall mounting, surface ceiling mounting for escape route and area illumination with adjustable / programmable LED matrix <sup>1</sup> |     |           |      |
| 17923+15059 <sup>4</sup>  | 24  | 750 lm    | 9 W  |
|   |     | 1.500 lm  | 13 W |

<sup>1</sup> Please order additional required accessories for recessed wall and ceiling mounting, bracket and chain/wire separately.

<sup>2</sup> Please order Logica interface (15056) and Logica FM interface (15057) separately.

<sup>3</sup> Ideational light flux of 100 %. Corresponds to no adjustable / programmable value.

**SICURO** CENTRAL SUPPLY

| Sicuro230 Order code   | LED | $\Phi=$ 3 | S~               | P= |
|--|-----|-----------|------------------|----|
| Surface wall mounting, surface ceiling mounting, with single monitoring (EÜ), for escape route and area illumination with adjustable / programmable LED matrix <sup>1</sup>  |     |           |                  |    |
| 17923+15060 <sup>5</sup>   | 24  | 1.500 lm  | 22.6 VA / 12.9 W |    |
| Surface wall mounting, surface ceiling mounting, with circuit monitoring (SÜ), for escape route and area illumination with adjustable / programmable LED matrix <sup>1</sup> |     |           |                  |    |
| 17923  | 24  | 1.500 lm  | 20 VA / 11.4 W   |    |

<sup>4</sup> Please order S24 conversion set with high mounting adapter (15059) separately. Light flux/power programmable over S24 station.

<sup>5</sup> Please order S230 conversion set with high mounting adapter (15060) separately.

<sup>6</sup> Only with use of back entries with respective gaskets (M16).

$\Phi\sim$  /  $\Phi=$  Respectable light flux: 60 %

**MATRIX: 03**

Escape route, wide-beam, for wall mounting

$\Phi\sim$  /  $\Phi=$  Respectable light flux: 75 %

**MATRIX: 06**

Escape route, wide-beam, for ceiling mounting

$\Phi\sim$  /  $\Phi=$  Respectable light flux: 75 %

**MATRIX: 06**

Area, wide-beam, for ceiling mounting

$\Phi\sim$  /  $\Phi=$  Respectable light flux: 82 %

**MATRIX: 03/09**

Area, wide-beam, for wall mounting

$\Phi\sim$  /  $\Phi=$  Respectable light flux: 83 %

**MATRIX: 09**

Area, deep-beam, for ceiling mounting

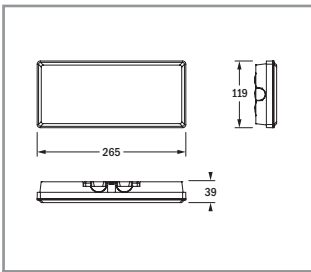
Front side of frame bezel points to wall or to ceiling for surface mounting of luminaire – sideward entries covered

Back side of frame bezel is installed safely and quickly with click-closures on back side of luminaire

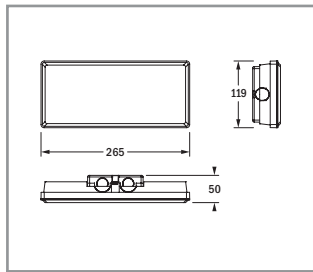
Frame bezel in scope of delivery as design element (18598)

TYPE OF PROTECTION (IP)

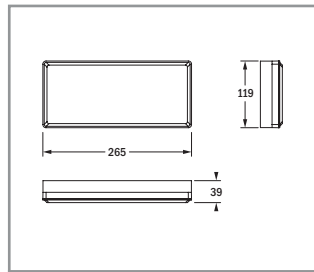
| achieved type of protection | used mounting adapter | accomplished installation without accessories  |
|-----------------------------|-----------------------|--|
| IP40                        | flat                  | sideward breakable entries (2x 15x7 mm and 2x 15x10 mm) used                             |
| IP40                        | flat                  | backward drillable entries (2x max. 10 mm Ø) used  |
| IP65                        | flat                  | backward entries (2x M16) with respective gaskets used                                   |
| IP65                        | high                  | sideward entries (6x M20) or backward entries (2x M20) with respective cable glands used |
| achieved type of protection | used mounting adapter | accomplished installation with accessories   |
| IP40 <sup>6</sup>           | flat                  | 4319   |
| IP42 <sup>6</sup>           | flat                  | 3723 / 18590 / 18585 / 18587 / 18580 / 18586   |
| IP65                        | high                  | 3723 / 18590 / 18597 / 18580 together with 18599 / 15059 / 15060                         |



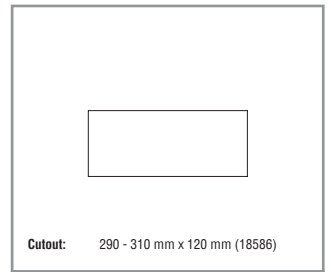
Surface wall and ceiling mounting, flat mounting adapter, without 18598



Surface wall and ceiling mounting, high mounting adapter, without 18598



Surface wall and ceiling mounting, flat mounting adapter, with 18598

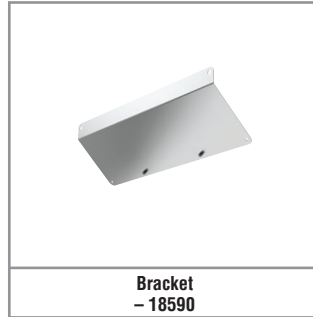


Cutout: 290 - 310 mm x 120 mm (18586)

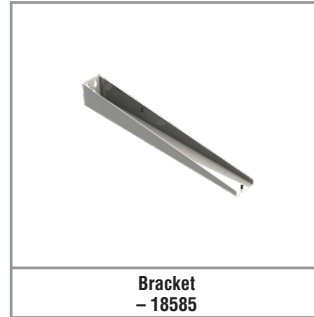
Recessed wall and ceiling mounting, hollow, flat / high mounting adapter



Lug set chain / wire - 3723



Bracket - 18590



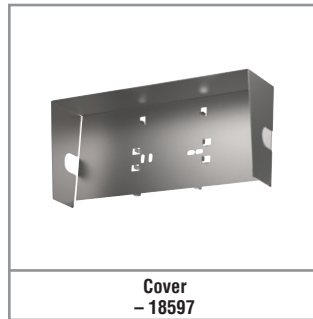
Bracket - 18585



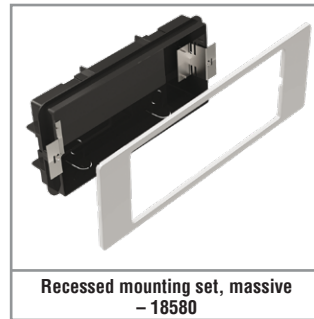
Mounting angles light band mounting - 18587



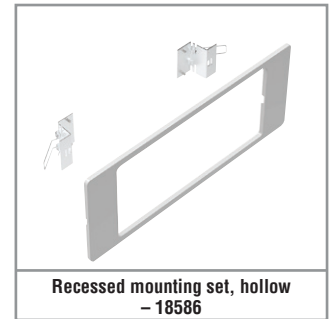
Adapter light band mounting - 4319



Cover - 18597



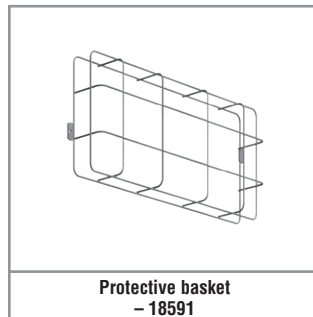
Recessed mounting set, massive - 18580



Recessed mounting set, hollow - 18586



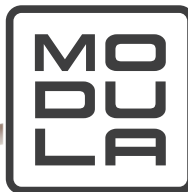
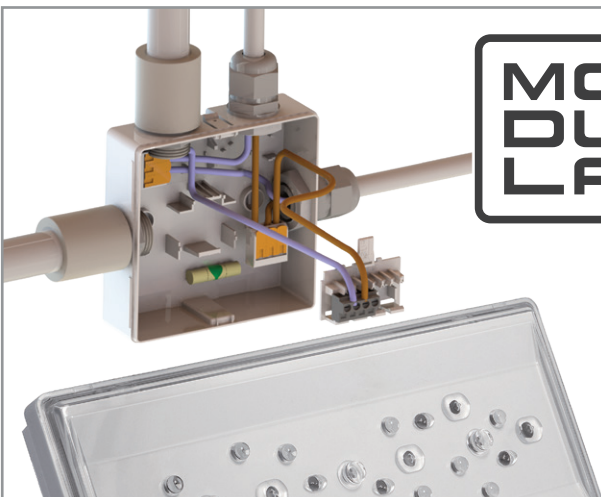
Logica / Logica FM / DALI interface - 15056, 15057, 15058



Protective basket - 18591



S24 / S230 conversion set - 15059, 15060



**THE HIGH MOUNTING ADAPTER FROM THE SCOPE OF DELIVERY IS COMPATIBLE WITH ALL LUMINAIRES OF THE MODULA SERIES AND WAS DEVELOPED FOR THE ON-FINERY MOUNTING**

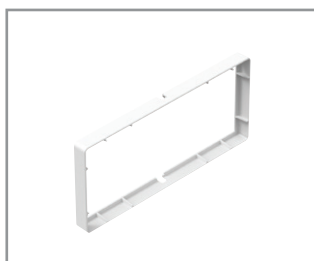
THE INSTALLATION TIMES ARE REDUCED BY MORE THAN 50 % PER LUMINAIRE!

Thanks to the MODULA system, the internal wiring and all settings are enormously simplified and accelerated. A variety of entries ensures highest flexibility regarding the cable laying. Through additional plug terminals, all wires can be bundled and routed to the preinstalled terminal block. Integrated water level.





**Set flat / high mounting adapter,  
included in scope of delivery – 18589**



**Frame bezel,  
included in scope of delivery – 18598**

#### Included in scope of delivery

| Order code   | Description   |
|--------------|---|
| <b>18589</b> | Set with flat and high mounting adapter               |
| <b>18598</b> | Frame bezel, polycarbonate, white (as design element) |

#### Please order accessories separately

| Order code   | Description   |
|--------------|---|
| <b>3723</b>  | Lug set for chain and wire mounting   |
| <b>18590</b> | Bracket, sheet steel, galvanized, white, 45° luminaire tilt, not adjustable   |
| <b>18585</b> | Bracket, sheet steel, galvanized, white   |
| <b>18587</b> | Mounting angles for light band mounting   |
| <b>4319</b>  | Adapter (electrical) for light band mounting, 3-phase   |
| <b>18597</b> | Cover, stainless sheet steel, for wall mounting with installation in exterior area as additional protection against rain                |
| <b>18580</b> | IP42 recessed mounting set for massive walls and massive ceilings (concrete-cast housing), including frame bezel, white (overpaintable) |
| <b>18599</b> | IP65 upgrade set for 18580, including frame bezel, white (overpaintable)  |
| <b>18586</b> | Recessed mounting set for hollow walls and hollow ceilings, including frame bezel, white (overpaintable)                                |
| <b>15056</b> | Logica interface, only for LIFE   |
| <b>15057</b> | Logica FM interface, only for LIFE  |
| <b>15058</b> | DALI interface, only for LIFE (for connection to DALI central of the general and safety lighting)                                       |
| <b>18591</b> | Protective basket (only for surface wall or ceiling mounting)   |
| <b>15059</b> | S24 conversion set with high mounting adapter, only for S24   |
| <b>15060</b> | S230 conversion set with high mounting adapter, only for S230   |