



## INFINITA LED RTI

Escape sign and safety luminaire with housing and cover made of polycarbonate (PC). High type of protection (IP65) and high impact resistance (IK08). Numerous cable entries. The RTI system offers a very homogeneous illumination of the escape sign foils as well as a glare-free light distribution when used as safety luminaire. With the special LED technology (for mounting heights of 2 m to over 12 m, luminaire distances for escape routes of up to 34 m) both escape routes and areas can be illuminated very efficiently.

Versions for surface wall and ceiling mounting and with additional accessories for recessed wall and ceiling mounting, pendulum, bracket and chain/wire

### MOUNTING TYPES WITH ACCESSORIES



### MOUNTING TYPES



### TECHNICAL DATA

<b>Housing:</b>	Polycarbonate, white (RAL 9003)	<b>Color temperature:</b>	4.000 K
<b>Cover:</b>	Polycarbonate, transparent	<b>Color rendering index:</b>	80
<b>Service life L<sub>80</sub>B<sub>20</sub>:</b>	50.000 h		



### SELF-CONTAINED SUPPLY

<b>Mains supply:</b>	198 V – 254 V / 50 Hz
<b>Switching:</b>	Maintained and non-maintained
<b>Ambient temperature:</b>	0 °C to +40 °C
<b>Protection class:</b>	II

### DECENTRAL SUPPLY

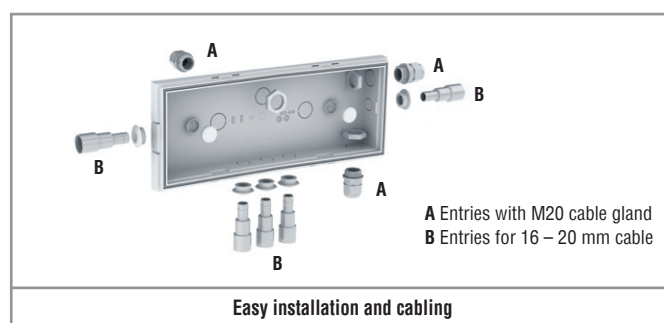
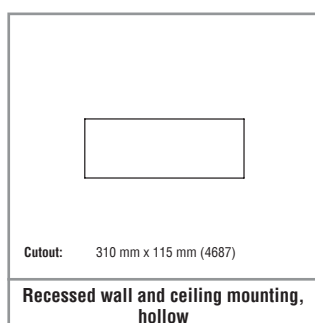
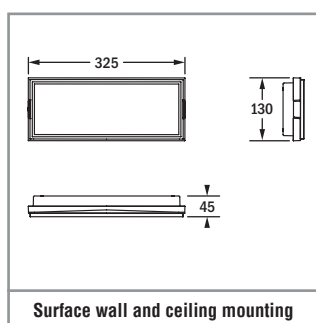
<b>Mains supply:</b>	24 V +/- 20 % DC
<b>Battery supply:</b>	24 V +/- 20 % DC
<b>Ambient temperature:</b>	-20 °C to +40 °C
<b>Protection class:</b>	III with connection only to low voltage, II with additional connection to voltages above low voltage

### CENTRAL SUPPLY

<b>Mains supply:</b>	198 V – 254 V / 50 Hz
<b>Battery supply:</b>	176 V – 276 V
<b>Ambient temperature:</b>	-20 °C to +40 °C
<b>Protection class:</b>	II
<b>Mains supply (alt.):</b>	90 V – 254 V / 50/60 Hz <sup>12</sup>
<b>Battery supply (alt.):</b>	90 V – 276 V <sup>12</sup>

<sup>12</sup> For order code 31170

Variant	Order code	
<b>LIFE</b>	<b>19470</b>	850 lm
<b>Sicuro24 / Sicuro230</b>	<b>32110 / 31170</b>	500 lm
<b>Sicuro24 / Sicuro230</b>	<b>32111 / 31171</b>	1.500 lm



Autotest Order code	Logica Order code	Logica FM Order code		LED 	$\Phi =$ 1 h 	$\Phi =$ 3 h 		S~ 
Surface wall mounting (1-sided escape route indication / illumination), surface ceiling mounting (2-sided escape route indication / illumination) <sup>1</sup>								
19470 <sup>3</sup>	19470 <sup>3</sup>	19470 <sup>3</sup> +15037 <sup>2</sup>	25 m	16	1.700 lm	620 lm	2x LIFE 9.6 V / 1.5 Ah	15 VA

**SICURO** DECENTRAL SUPPLY

Sicuro24 Order code		LED 	$\Phi =$ 	P= 
Surface wall mounting (1-sided escape route indication / illumination), surface ceiling mounting (2-sided escape route indication / illumination) <sup>1</sup>				
32110 <sup>4</sup>	25 m	16	500 lm	3.9 W
32111 <sup>5</sup>	25 m	16	500 lm	4.3 W

<sup>1</sup> Please order additional required accessories for recessed wall and ceiling mounting, pendulum, bracket and chain/wire separately.

<sup>2</sup> Please order Logica FM interface (15037) separately.

<sup>3</sup> Version UL for LIFE.

<sup>4</sup> Version L for Sicuro24.

<sup>5</sup> Version XL for Sicuro24.

**Version UL for LIFE**

UL = ultimate large light flux in battery operation through battery 2x LIFE 9.6 V / 1.5 Ah.

**Version L for Sicuro24**

L = large light flux of 500 lm in mains operation. With S24 driver module G31445.

**Version XL for Sicuro24**

XL = extra large light flux of 1500 lm in mains operation. Factory-made with light switch query and sub distribution monitoring through S24 inverter module G31446 in combination with a LED driver.

**SICURO** CENTRAL SUPPLY

Sicuro230 Order code		LED 	$\Phi =$ 	S~ 	P= 
Surface wall mounting (1-sided escape route indication / illumination), surface ceiling mounting (2-sided escape route indication / illumination) <sup>1</sup>					
31170 <sup>6</sup>	25 m	16	500 lm	8.6 VA / 4.5 W	
31171 <sup>7</sup>	25 m	16	1.500 lm	16.3 VA / 15.1 W	

<sup>6</sup> Version L for Sicuro230.

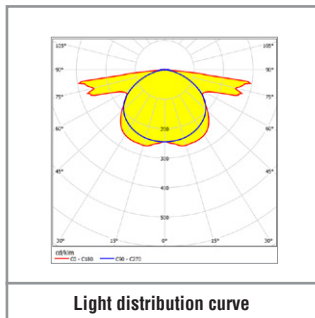
<sup>7</sup> Version XL for Sicuro230.

**Version L for Sicuro230**

L = large light flux of 500 lm in mains and battery operation. With S230 driver module 17380.

**Version XL for Sicuro230**

XL = extra large light flux of 1500 lm in mains and battery operation. Factory-made with light switch query and sub distribution monitoring through S230 module 17382 in combination with a LED driver.



**Included in scope of delivery**

Order code	Description	
4682	Set of escape sign foils, VD 25 m	

**Please order accessories separately**

Order code	Description
4683	Recessed mounting set for massive walls / massive ceilings (concrete-cast housing)
4685	Wall holder, not swiveable (-45°)
4686	Bracket
4687	Recessed mounting set for hollow walls / hollow ceilings
4315	Tubular pendulum, round, 250 mm
4316	Tubular pendulum, round, 500 mm
4317	Tubular pendulum, round, 1.000 mm
3723	Lug set for chain and wire mounting
3912	Protective basket (only for surface wall and ceiling mounting without 4681 / 4685)

**Please order further accessories separately (only for LIFE)**

Order code	Description
15037	Logica FM interface
15038	DALI interface (for connection to DALI central of the general or safety lighting)

**Please order escape sign accessories separately**

Order code	Description
4681	High cover for ceiling mounting as escape sign luminaire, opal, VD 25 m