



TULA

Combined escape sign and safety luminaire or escape sign luminaire. Housing in flat design with convex light outlet area and opal pane. 1- or 2-sided escape route indication through self-adhesive foils. Additional high-power LED with light guidance through special lenses for asymmetrical light distribution (illumination of escape routes with 1 lx) or for symmetrical light distribution (illumination of areas with 0.5 lx) for combined escape sign and safety luminaire.

Versions for surface wall mounting and with additional accessories for pendulum and bracket

MOUNTING TYPES



MOUNTING TYPES WITH ACCESSORIES



TECHNICAL DATA

Housing: Sheet steel, grey (RAL 9006)
Cover: PMMA, opal
Foil: PVC, printed
Lens: PMMA, transparent
Service life $L_{80}B_{20}$: 50.000 h

Color stability: 3 SDCM
Color temperature: 4.000 K (ESL & SL)
Color rendering index: 80 (ESL)
 70 (SL)





DECENTRAL SUPPLY

Mains supply: 24 V +/- 20 % DC
Battery supply: 24 V +/- 20 % DC
Ambient temperature: -20 °C to +40 °C
Protection class: III

CENTRAL SUPPLY

Mains supply: 198 V – 254 V / 50 Hz
Battery supply: 176 V – 276 V
Ambient temperature: -20 °C to +40 °C
Protection class: I
Mains supply (alt.): 90 V – 254 V / 50/60 Hz
Battery supply (alt.): 90 V – 276 V

Variant		Area 3.5 m	 Escape route
Sicuro24 / Sicuro230 – partial component: safety luminaire	361 lm		330 lm

SICURO LED[®] DECENTRAL SUPPLY

Sicuro24 Order code				
------------------------	--	--	--	--

Surface wall mounting with 2 changeable lenses (1-sided escape route indication / illumination) or surface wall mounting (1-sided escape route indication)

32025	23 m	24	–	2.2 W
32027	32 m	48	–	4.3 W
32028²	32 m	48 + 1	Escape route 330 lm	8.1 W
			Area 3.5 m 361 lm	

Pendulum mounting adaptor with 2 changeable lenses (2-sided escape route indication / illumination) or pendulum mounting adaptor (2-sided escape route indication)¹

32026	23 m	24	–	2.2 W
32029	32 m	48	–	4.3 W
32030²	32 m	48 + 1	Escape route 330 lm	8.1 W
			Area 3.5 m 361 lm	

¹ Please order additional required accessories for pendulum and bracket separately. Luminaires with pendulum mounting adaptor are needed for all types of pendulums as well as the bracket.

² Luminaire is equipped with 2 separate monitoring and control modules. The operating modes of the two monitoring and control modules for illumination of the escape sign resp. the escape signs and the escape routes resp. areas are separately configurable.

SICURO LED[®] CENTRAL SUPPLY

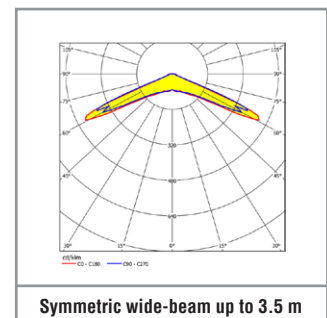
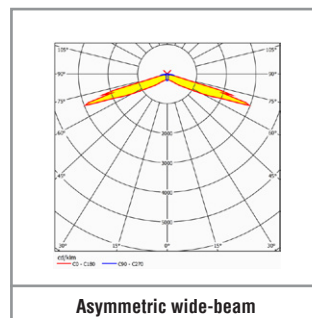
Sicuro230 Order code					
-------------------------	--	--	--	--	--

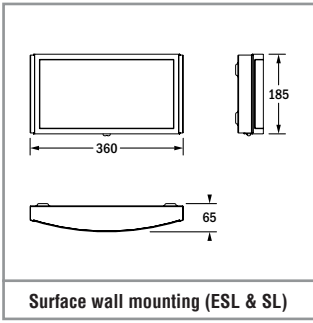
Surface wall mounting with 2 changeable lenses (1-sided escape route indication / illumination) or surface wall mounting (1-sided escape route indication)

31025	23 m	24	–	5.8 VA / 2.5 W
31027	32 m	48	–	9.4 VA / 4.7 W
31028²	32 m	48 + 1	Escape route 330 lm	17.7 VA / 8.8 W
			Area 3.5 m 361 lm	

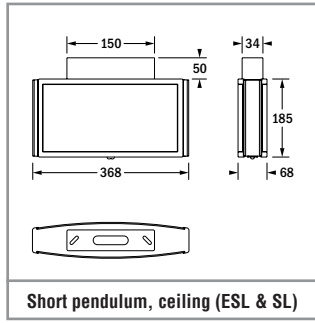
Pendulum mounting adaptor with 2 changeable lenses (2-sided escape route indication / illumination) or pendulum mounting adaptor (2-sided escape route indication)¹

31026	23 m	24	–	5.8 VA / 2.5 W
31029	32 m	48	–	9.4 VA / 4.7 W
31030²	32 m	48 + 1	Escape route 330 lm	17.7 VA / 8.8 W
			Area 3.5 m 361 lm	

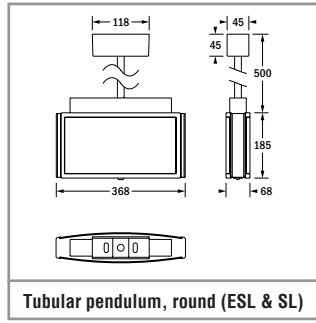




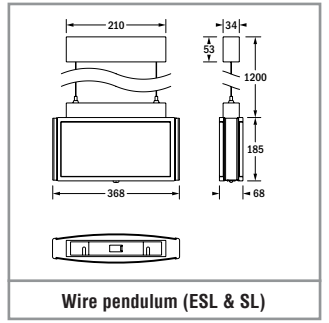
Surface wall mounting (ESL & SL)



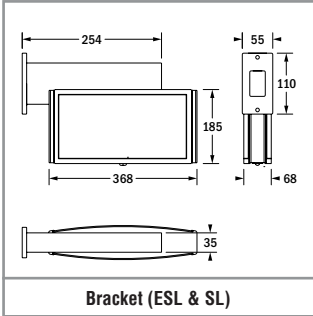
Short pendulum, ceiling (ESL & SL)



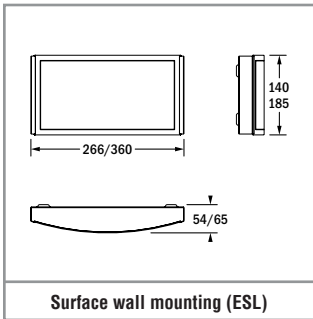
Tubular pendulum, round (ESL & SL)



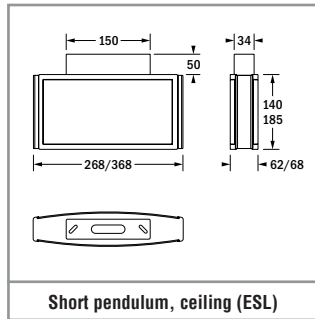
Wire pendulum (ESL & SL)



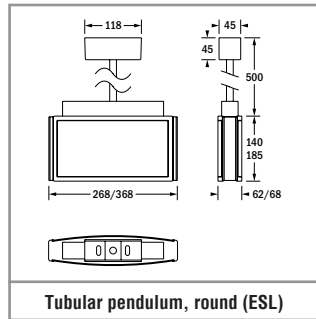
Bracket (ESL & SL)



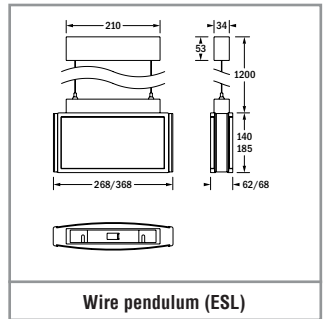
Surface wall mounting (ESL)



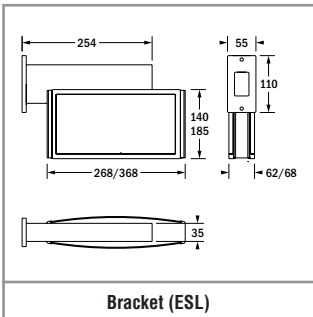
Short pendulum, ceiling (ESL)







Tubular pendulum, round (ESL)







Wire pendulum (ESL)



Bracket (ESL)

Included in scope of delivery			
Order code		Description	
VD 23 m	VD 32 m		
F15337MU	F15338MU	Escape sign foil	
F15337MR	F15338MR	Escape sign foil	
F15337ML	F15338ML	Escape sign foil	
F15337MO	F15338MO	Escape sign foil	
-	-	Symmetrical wide-beam lens for mounting height 3.5 m	
-	-	Asymmetrical wide-beam lens	

Please order escape sign accessories separately			
Order code		Description	
VD 23 m	VD 32 m		
F15337MLO	F15338MLO	Escape sign foil	
F15337MLU	F15338MLU	Escape sign foil	
F15337MRO	F15338MRO	Escape sign foil	
F15337MRU	F15338MRU	Escape sign foil	

Please order accessories separately	
Order code	Description
F95109PK	Short pendulum for ceiling mounting
F95109PR	Tubular pendulum, round, 500 mm
F95109PS	Wire pendulum, max. 1.200 mm
F95109P	Bracket