

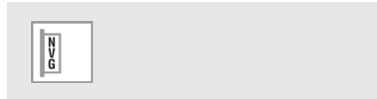


NVG

Emergency light supply device for operation of 1 or 2 luminaires with LED lamp and electronic control gear, low-pressure discharge lamp and electronic as well as magnetic control gear or incandescent lamp. Connection of the luminaire(s) without change of the inner wiring. Variant with separate electronic and battery housing. Luminaire(s) individually switchable in mains operation. 2 adjustable output voltages for emergency and test operation – direct voltage for electronic control gears, square-shaped alternating voltage for magnetic control gears.

Version for surface wall mounting

MOUNTING TYPES



TECHNICAL DATA

Housing:	ABS, grey (RAL 7035)	Type of protection:	IP32 (Battery component) IP65 (Electronic component)
-----------------	----------------------	----------------------------	---



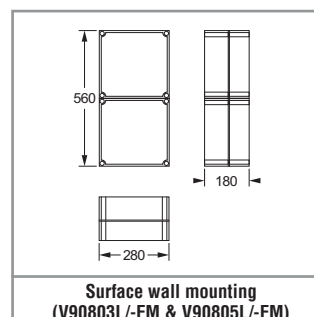
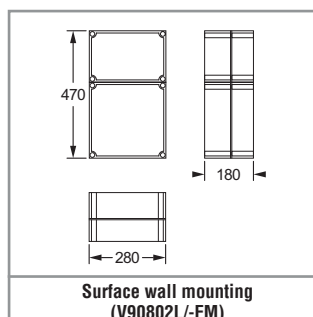
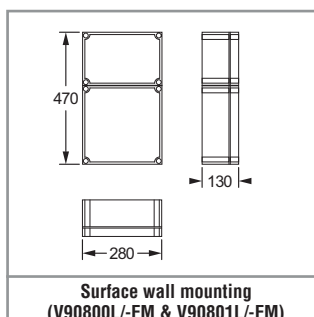
SELF-CONTAINED SUPPLY

Mains supply:	230 V/50 Hz
Switching:	Maintained and non-maintained
Ambient temperature:	Electronic component: 0 °C to +40 °C Battery component: +20 °C
Protection class:	I (protective conductor only needed for connected luminaires with protection class I)





SUPPLY – LUMINAIRE(S)

Luminaire:	LED lamp + electronic control gear discharge lamp + electronic control gear discharge lamp + magnetic control gear
Output power(s):	For direct voltage as output voltage (regardless of the operating duration): max. 1 x 120 W for use of only one output circuit, max. 2 x 60 W for use of both output circuits For square-shaped alternating voltage as output voltage (regardless of the operating duration): max. 1 x 80 W for use of only one output circuit, max. 2 x 40 W for use of both output circuits

Order codes	Weight
V90800L / V90800L-FM	7 kg
V90801L / V90801L-FM	9 kg
V90802L / V90802L-FM	14 kg
V90803L / V90803L-FM	17 kg
V90805L / V90805L-FM	20 kg



CLASSIC SELF-CONTAINED SUPPLY

Autotest Order code	Logica Order code	Logica FM Order code	 	 Autotest / Logica / Logica FM	
V90800L	V90800L	V90800L-FM	see table 1 h / 3 h	Pb 12 V / 6.5 Ah	3
V90801L	V90801L	V90801L-FM	see table 1 h / 3 h	Pb 12 V / 13 Ah	3
V90802L	V90802L	V90802L-FM	see table 1 h / 3 h	Pb 12 V / 28 Ah	3
V90803L	V90803L	V90803L-FM	see table 1 h / 3 h	Pb 12 V / 40 Ah	3
V90805L	V90805L	V90805L-FM	see table 1 h / 3 h	Pb 12 V / 55 Ah	3

CONNECTION POWER

Order code	Operating time	Luminaire (1 x) / Luminaires (2 x) ¹	
		luminaire power	light flux factor
V90800L / V90800L-FM	1 h	1 x 20 W 2 x 10 W	max. 100 % ²
V90800L / V90800L-FM	3 h	1 x 6 W 2 x 3 W	max. 100 % ²
V90801L / V90801L-FM	1 h	1 x 60 W 2 x 30 W	max. 100 % ²
V90801L / V90801L-FM	3 h	1 x 20 W 2 x 10 W	max. 100 % ²
V90802L / V90802L-FM	1 h	1 x 100 W 2 x 50 W	max. 100 % ²
V90802L / V90802L-FM	3 h	1 x 40 W 2 x 20 W	max. 100 % ²
V90803L / V90803L-FM	1 h	1 x 120 W 2 x 60 W	max. 100 % ²
V90803L / V90803L-FM	3 h	1 x 70 W 2 x 35 W	max. 100 % ²
V90805L / V90805L-FM	1 h	1 x 120 W 2 x 60 W	max. 100 % ²
V90805L / V90805L-FM	3 h	1 x 120 W 2 x 60 W	max. 100 % ²

¹ The electronic control gears must be suitable for use in safety lightings according to DIN EN 50172. An operation of luminaires with dimmable electronic control gear (DALI) possible on request. The maximum inrush current resp. the maximum inrush duration may not exceed 60 A for 250 ms.

² Depending on electronic control gear and adjustment on NVG for output voltage in emergency and test operation, p.r.n. also smaller as 100 %.

³ Depending on connected luminaires and adjustment on NVG for output voltage in emergency and test operation.