



## AESTETICA

**Housing in compact design with plane light outlet area and clear cover.** Light guidance through plastic reflector. 1-sided escape route indication through exchangeable escape sign panes, 2-sided escape route indication through exchangeable display panes.

Versions for surface wall and ceiling mounting or with additional accessories for bracket

### MOUNTING TYPES



### MOUNTING TYPES WITH ACCESSORIES



### TECHNICAL DATA

**Housing:** Polycarbonate, white (RAL 9003)  
**Cover:** Polycarbonate, transparent  
**Display pane / pane:** PMMA, printed  
**Reflector:** Polycarbonate, white

**Service life  $L_{80B_{20}}$ :** 50.000 h  
**Color stability:** 3 SDCM  
**Color temperature:** 6.000 K  
**Color rendering index:** 80



### DECENTRAL SUPPLY

**Mains supply:** 24 V +/- 20 % DC  
**Battery supply:** 24 V +/- 20 % DC  
**Ambient temperature:** -20 °C to +40 °C  
**Protection class:** III

### CENTRAL SUPPLY

**Mains supply:** 198 V – 254 V / 50 Hz  
**Battery supply:** 176 V – 276 V  
**Ambient temperature:** -20 °C to +40 °C  
**Protection class:** II  
**Mains supply (alt.):** 90 V – 254 V / 50/60 Hz  
**Battery supply (alt.):** 90 V – 276 V

Variant

Sicuro24 / Sicuro230



120 lm

## SICURO<sup>LED</sup> DECENTRAL SUPPLY

|                        |  |  |  |  |
|------------------------|--|--|--|--|
| Sicuro24<br>Order code |  |  |  |  |
|------------------------|--|--|--|--|

Surface wall mounting (1-sided escape route indication / illumination),  
surface ceiling mounting (2-sided escape route indication / illumination)<sup>1</sup>

|       |      |    |        |       |
|-------|------|----|--------|-------|
| 32069 | 15 m | 20 | 120 lm | 1.7 W |
|-------|------|----|--------|-------|

<sup>1</sup> Please order additional required accessories for bracket separately.

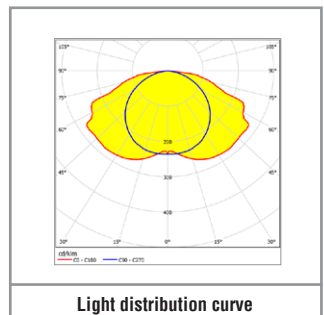
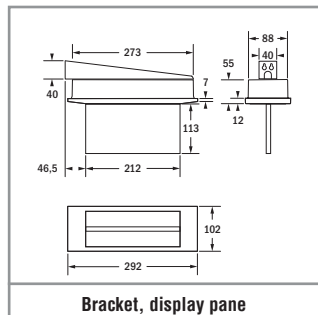
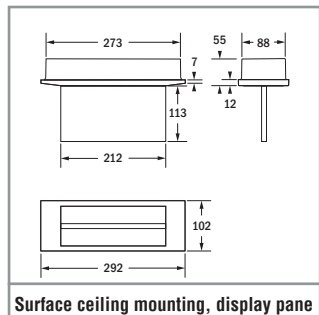
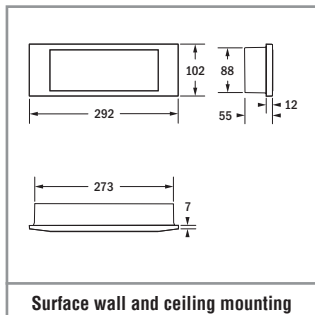


## SICURO<sup>LED</sup> CENTRAL SUPPLY

|                         |  |  |  |  |  |
|-------------------------|--|--|--|--|--|
| Sicuro230<br>Order code |  |  |  |  |  |
|-------------------------|--|--|--|--|--|

Surface wall mounting (1-sided escape route indication / illumination),  
surface ceiling mounting (2-sided escape route indication / illumination)<sup>1</sup>

|       |      |    |        |                |
|-------|------|----|--------|----------------|
| 31098 | 15 m | 20 | 120 lm | 4.8 VA / 1.8 W |
|-------|------|----|--------|----------------|



| Please order escape sign accessories separately |         |  |  |  |
|---|---------|--|--|--|
| Order code                                      |         | Description                                |  |  |
| VD 15 m   | VD 20 m |  |  |  |
| 16235   | -       | Escape sign pane, wall                     |  |  |
| 16236   | -       | Escape sign pane, wall                     |  |  |
| 16237   | -       | Escape sign pane, wall                     |  |  |
| -   | 16233   | Escape sign display pane, ceiling, bracket |  |  |
| -   | 16234   | Escape sign display pane, ceiling, bracket |  |  |

| Please order accessories separately |             |
|-------------------------------------|-------------|
| Order code                          | Description |
| 4265                                | Bracket     |