



ACCIAIO EM

High type of protection and high impact resistance. Housing made of galvanised sheet steel, caps made of plastic, pane made of tempered glass. Caps and pane tightly coupled with the housing. Light guidance through high-high-specular aluminium reflector. 1 or 2-sided escape route indication through exchangeable display panes. Explosion-protected for zone 2 (II 3G Ex nA IIB T4) and Zone 22 (II 3D Ex tD A22 T100).

Extremely resistant against mechanical and chemical stress.

Versions for surface wall and ceiling mounting and chain/wire, including swivelable wall holder

MOUNTING TYPES



MOUNTING TYPES WITH ACCESSORIES



TECHNICAL DATA

Housing:	Sheet steel, galvanized, grey (RAL 7035)
Caps:	Polycarbonate / polybutylenterephthalate, grey (RAL 7035)
Pane:	Tempered glass, structured
Display pane:	PMMA (display pane) Polycarbonate (foil, printed)
Reflector:	Aluminium, specular

Service life $L_{80}B_{20}$:	50.000 h
Color stability:	3 SDCM
Color temperature:	4.000 K
Color rendering index:	80
Optic interface:	LIFE



Commissioning - LIFE: For Autotest, operating duration, operating mode PS, monitoring group and test duration are only programmable per app B.connect over smartphone locally on luminaire.

SELF-CONTAINED SUPPLY

Mains supply:	198 V – 254 V/50 Hz
Switching:	Maintained and non-maintained or non-maintained
Ambient temperature:	0 °C to +40 °C
Protection class:	I

DECENTRAL SUPPLY

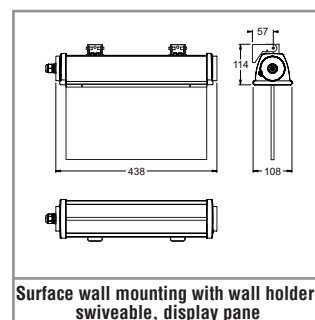
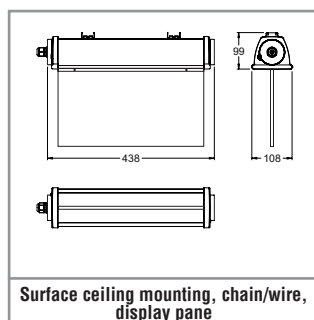
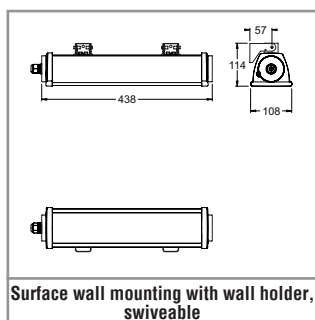
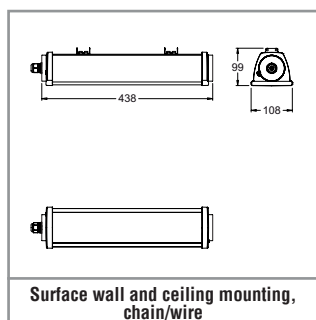
Mains supply:	24 V +/- 20 % DC
Battery supply:	24 V +/- 20 % DC
Ambient temperature:	-20 °C to +40 °C
Protection class:	III with connection only to low voltage, I with additional connection to voltages above low voltage

CENTRAL SUPPLY

Mains supply:	198 V – 254 V/50 Hz
Battery supply:	176 V – 276 V
Ambient temperature:	-20 °C to +40 °C
Protection class:	I
Mains supply (alt.):	90 V – 254 V / 50/60 Hz ⁶
Battery supply (alt.):	90 V – 276 V ⁶

⁶ For order code 31054

Variant	Order code	
LIFE	15030	250 lm
LIFE ECO	15032	–
Sicuro24 / Sicuro230	32055 / 31054	510 lm
Sicuro24	32092	–
Sicuro230	31053 / 17452	1.800 lm



LIFE SELF-CONTAINED SUPPLY

10 YEARS GUARANTEE

Autotest / CableCom Order code	Logica Order code	Logica FM Order code		LED 	$\Phi=$ 1 h 	$\Phi=$ 3 h 	$\Phi=$ 8 h 		S~
Surface wall mounting (1-sided escape route indication / illumination), surface ceiling mounting, chain/wire (2-sided escape route indication / illumination)									
15030	15030+15036 ⁵	15030+15049 ⁵	38 m	32	500 lm	200 lm	70 lm	LIFE 6.4 V / 1.5 Ah	8 VA

LIFE ECO SELF-CONTAINED SUPPLY

5 YEARS GUARANTEE

Autotest Order code	Logica Order code	Logica FM Order code		LED 	$\Phi=$ 1 h 	$\Phi=$ 3 h 	$\Phi=$ 8 h 		S~
Surface wall mounting (1-sided escape route indication / illumination), surface ceiling mounting, chain/wire (2-sided escape route indication / illumination)									
15032 ¹	15032 ¹	15032 ¹ +19375 ⁶	38 m	32	1500 lm	500 lm	200 lm	LIFE 12.8 V / 1.5 Ah	11.4 VA

SICURO^{LED} DECENTRAL SUPPLY

Sicuro24 Order code		LED 	$\Phi=$ 	P=
Surface wall mounting (1-sided escape route indication / illumination), surface ceiling mounting, chain/wire (2-sided escape route indication / illumination)				
32055	38 m	32	510 lm	4.3 W
32092 ²	38 m	32	900 lm	8 W
			1.800 lm	16 W

SICURO^{LED} CENTRAL SUPPLY

Sicuro230 Order code		LED 	$\Phi=$ 	S~ 	P=
Surface wall mounting (1-sided escape route indication / illumination), surface ceiling mounting, chain/wire (2-sided escape route indication / illumination) with luminaire monitoring (EU)					
31054	38 m	32	510 lm	9.4 VA / 4.7 W	
31053 ³	38 m	32	1.800 lm	19.6 VA / 14.8 W	
Surface wall mounting (1-sided escape route indication / illumination), surface ceiling mounting, chain/wire (2-sided escape route indication / illumination) with circuit monitoring (SU)					
17452 ⁴	38 m	32	1.800 lm	17.4 VA / 14.2 W	

¹ With LIFE ECO inverter module 19391, only for non-maintained mode.

² With S24 inverter module G31446, only for non-maintained mode, light flux / power programmable over S24 station. Luminaire only suitable for illumination.

³ With S230 inverter module 17381 (in LED driver function).

⁴ With LED driver.

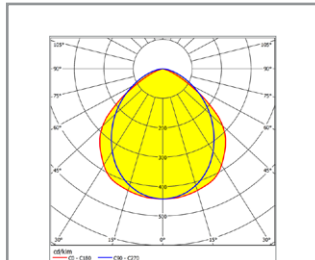
⁵ Please order Logica interface (15036) and Logica FM interface (15049) separately.

⁶ Please order Logica FM interface (19375) separately.

⁷ 1 piece per luminaire required.



Wall holder,
included in scope of delivery – 20122



Light distribution curve

Please order accessories separately

Order code	Description
15036	Logica interface for LIFE
15049	Logica FM interface for LIFE (IP65, luminaire attachment)
19375	Logica FM interface for LIFE ECO
15038	DALI interface for LIFE (for connection to DALI central of the general and safety lighting)

Please order escape sign accessories separately

Order code	Description
19064	Set of escape sign display panes

Included in scope of delivery

Order code	Description
20122 ⁷	Wall holder, swiveable (+45°)